

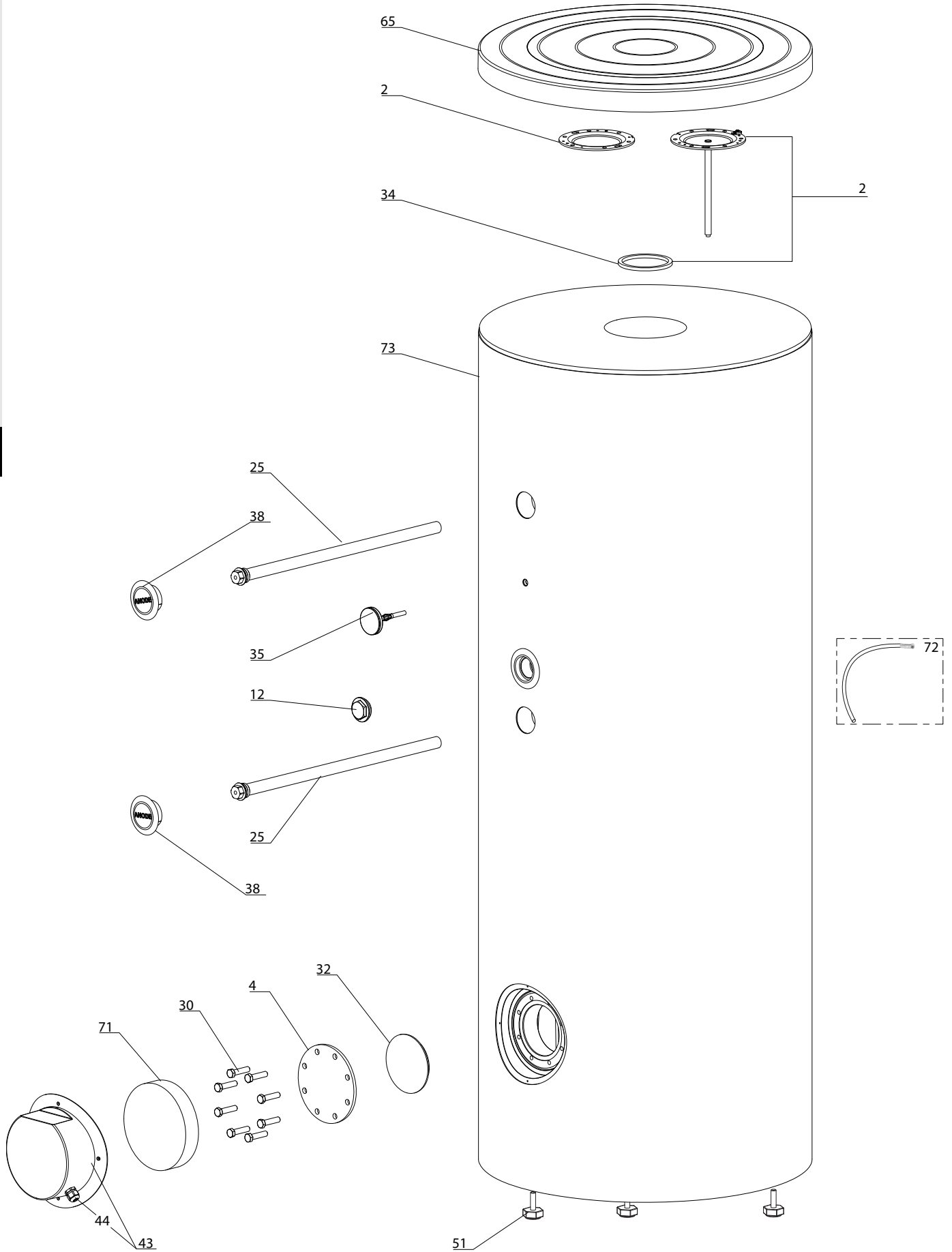
SPARE PARTS EXPLODED VIEW BOILERS

Model

BC / IFP / AS2S - 2

R8203492-05 - 28/08/2020

1	000003060561	BC1S 200-2	05-2017	-
1	3070468	BC1S CD1 200 CHX - EU 2	09-2017	-
1	3070469	BC1S CD1 200 STY - EU 2	09-2017	-
1	3070470	BC1S CD1 200 ARI - EU 2	09-2017	-
2	000003060562	BC1S 300-2	05-2017	-
2	3070524	BC1S CD1 300 CHX - EU 2	09-2017	-
2	3070525	BC1S CD1 300 STY - EU 2	09-2017	-
2	3070526	BC1S CD1 300 ARI - EU 2	09-2017	-
2	3070527	IFP CD1 300 FLE - EU 2	09-2017	-
3	000003060565	BC1S 450-2	05-2017	-
3	3070529	BC1S CD1 450 CHX - EU 2	09-2017	-
3	3070530	BC1S CD1 450 STY - EU 2	09-2017	-
3	3070532	IFP CD1 450 FLE - EU 2	09-2017	-
3	3070531	BC1S CD1 450 ARI - EU 2	09-2017	-
4	000003060563	BC2S 200-2	05-2017	-
4	3070534	AS2S CD2 200 CHX - EU 2	09-2017	-
4	3070535	BC2S CD2 200 ARI - EU 2	09-2017	-
5	000003060564	BC2S 300-2	05-2017	-
5	3070537	AS2S CD2 300 CHX - EU 2	09-2017	-
5	3070538	BC2S CD2 300 ARI - EU 2	09-2017	-
6	000003060566	BC2S 450-2	05-2017	-
6	3070540	AS2S CD2 450 CHX - EU 2	09-2017	-
6	3070541	BC2S CD2 450 ARI - EU 2	09-2017	-
Col	Reference	Model type	Begin	End



				BC1S 200 - 2 BC1S / IFP 300 - 2 BC1S / IFP 450 - 2 BC2S / AS2S 200 - 2 BC2S / AS2S 300 - 2 BC2S / AS2S 450 - 2														 					
	Description	Manf. Pt. N	Type	1	2	3	4	5	6	7	8	9	10	11	12	13	14	15	16	17	18	From	to
0002	FLANGE D.105	60001113		●	●	●	●	●	●														
	FLANGE D.105	60003014		●	●	●																	
0004	FLANGE Ø180 60HOLES	60002557		●	●	●	●	●	●														
0012	PLUG + SEALING RING	61310637		●	●	●		●	●														
0025	ANODE D:26 L:600 PTFE	60002188-01					●		●														
	ANODE MG Ø26 L450 PTFE	60002187-01		●	●			●	●														
0030	SCREW HEX. M12X30	60002556		●	●	●		●	●	●													
0032	MOULDED SEAL EPDM 70 FLANGE Ø180	60002558		●	●	●		●	●	●													
0034	FLANGE GASKET D:121.3-105-7.1	60071829		●	●	●		●	●	●													
0035	THERMOMETER	60002867		●	●	●		●	●	●													
0038	PLUG Ø60	60002868		●	●	●		●	●	●													
0043	PLASTIC COVER	60002865		●	●	●		●	●	●													
0044	GLAND	60002866		●	●	●		●	●	●													
0051	ADJUSTABLE FOOT M10	65152260		●	●	●		●	●	●													
0065	PROTECTIVE CAP Ø750	60002914					●		●														
	UPPER PLASTIC DOME Ø650	60002919		●	●			●	●														
0071	ISOLATING PAD AIGUILENE D210	60002555		●	●	●		●	●	●													
0072	COLD WATER PIPE	60002905		●	●			●	●														
	COLD WATER PIPE	60002907					●		●														
	HOT WATER PIPE	60002904		●	●			●	●														
	HOT WATER PIPE	60002906						●		●													
0073	OUTER COVERING Ø650 200L	60002900		●				●															
	OUTER COVERING Ø650 300L	60002899			●				●														
	OUTER COVERING Ø745 500L	60002903					●			●													

LIST OF THE ABBREVIATIONS

HW	: Hot water.
CW	: Cold water.
C	: Ceramic resistance (normal heating).
Ca	: Ceramic resistance (accelerated heating)
TP	: Immersion heater.
1F	: With fittings.
2F	: Without fittings.
3F	: With fittings and another outlet connection.
AMI	: With mixing valve.
SMI	: Without mixing valve.
PUISS	: Power of th appliance.
PN	: Appliance with normal pression.
LP	: Appliance with low pression.
PV	: Appliance with variable power.
PF	: Appliance with fixed power.

IDENTIFICATION PLATE

SERIAL NUMBER

9 Characters : 07 91 00301 (from 01/77 to 12/92)

Month of manufacture _____ Sequential number
Year of manufacture _____

10 Characters : 95 01 065004 (from 01/93 to 06/95)

Year of manufacture _____ Sequential number
Month of manufacture _____

OU

10 Characters : 01 95 065004 (from 07/95)

Month of manufacture _____ Sequential number
Year of manufacture _____

12 Characters : 924 2 3 134 0115

Product reference _____ Sequential number
Year of manufacture _____ Manufacturing day

15 ou 16 Characters : (0)03 070 0001 893077 (from 01/97 to 01/05)

Year of manufacture _____ Product reference
Day of manufacture _____ Sequential number

OU

16 Characters : 05 070 0001 0000000 (from 02/05)

Year of manufacture _____ Product reference
Day of manufacture _____ Sequential number

17 Characters : 07 070 00315 3070107

Year of manufacture _____ Product reference
Sequential number
Manufacturing day (70)

21 Characters : 3000115 XX 08115 0000001

Product reference _____ Sequential number
Year (08) / Manufacturing day (115)

22 Characters : 3000115 XX 070416 0000001

Product reference _____ Sequential number
Year (07) / Month (04) / Manufacturing day (16)