



ARISTON

SPARE PARTS EXPLODED VIEW INSTANTANEOUS GAS WATER HEATERS

Model

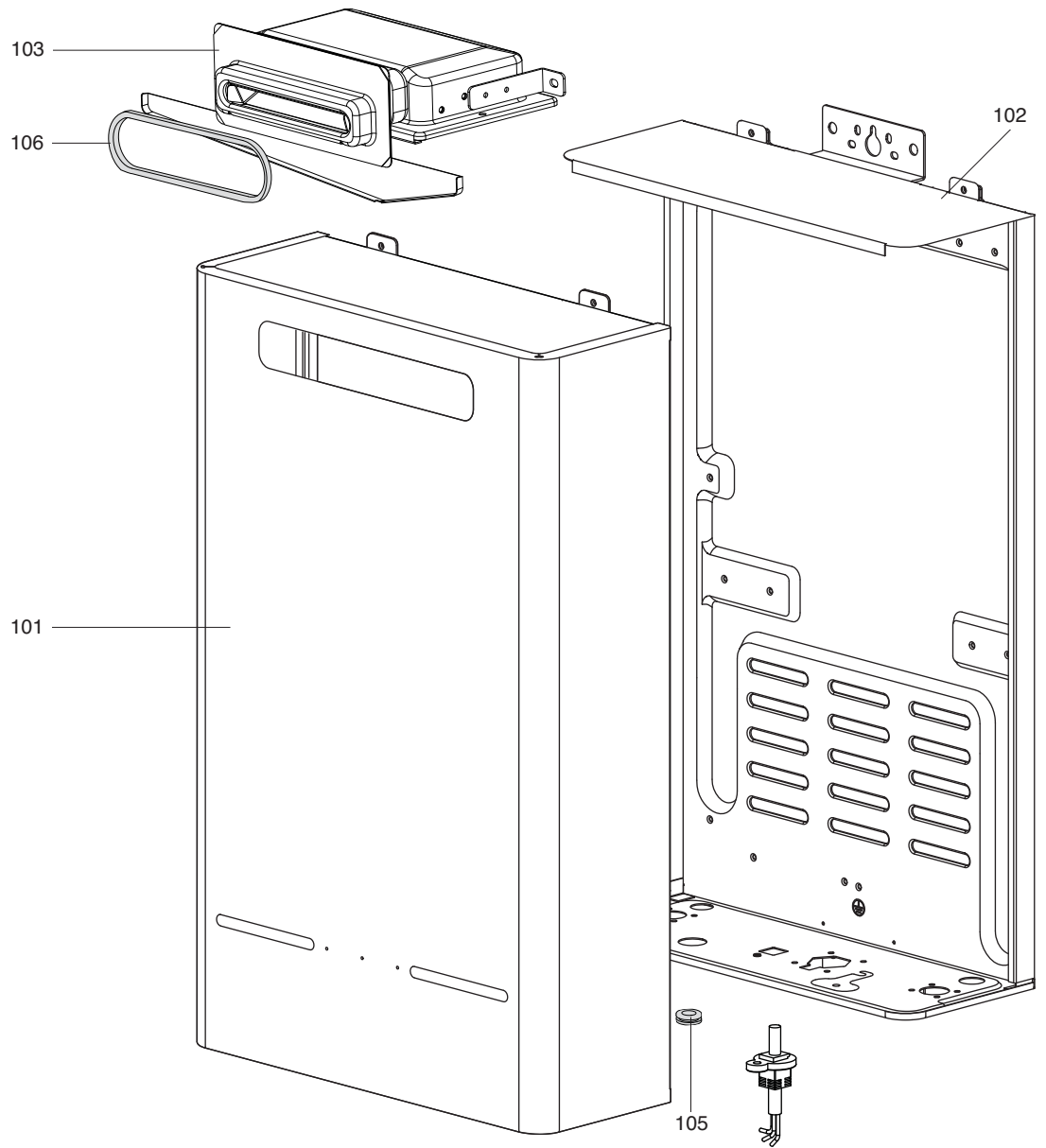
NEXT OUTDOOR EU EVO

R8217905-03 - 28/03/2018

NEXT OUTDOOR EU

Instantaneous Gas Water Heaters

1	3632351	NEXT OUTDOOR 11 NG EU EVO	07-2017	-
1	3632352	NEXT OUTDOOR 11 LPG EU EVO	07-2017	-
2	3632353	NEXT OUTDOOR 16 NG EU EVO	07-2017	-
2	3632354	NEXT OUTDOOR 16 LPG EU EVO	07-2017	-
2	3632366	NEXT OUTDOOR 16 LPG IL EVO	11-2017	-
3	3632355	NEXT OUTDOOR 20 NG EU EVO	07-2017	-
3	3632364	NEXT OUTDOOR 20 LPG IL EVO	10-2017	-
4	3632356	NEXT OUTDOOR 24 NG EU EVO	07-2017	-
4	3632365	NEXT OUTDOOR 24 LPG IL EVO	11-2017	-
Col	Reference	Model type	Begin	End

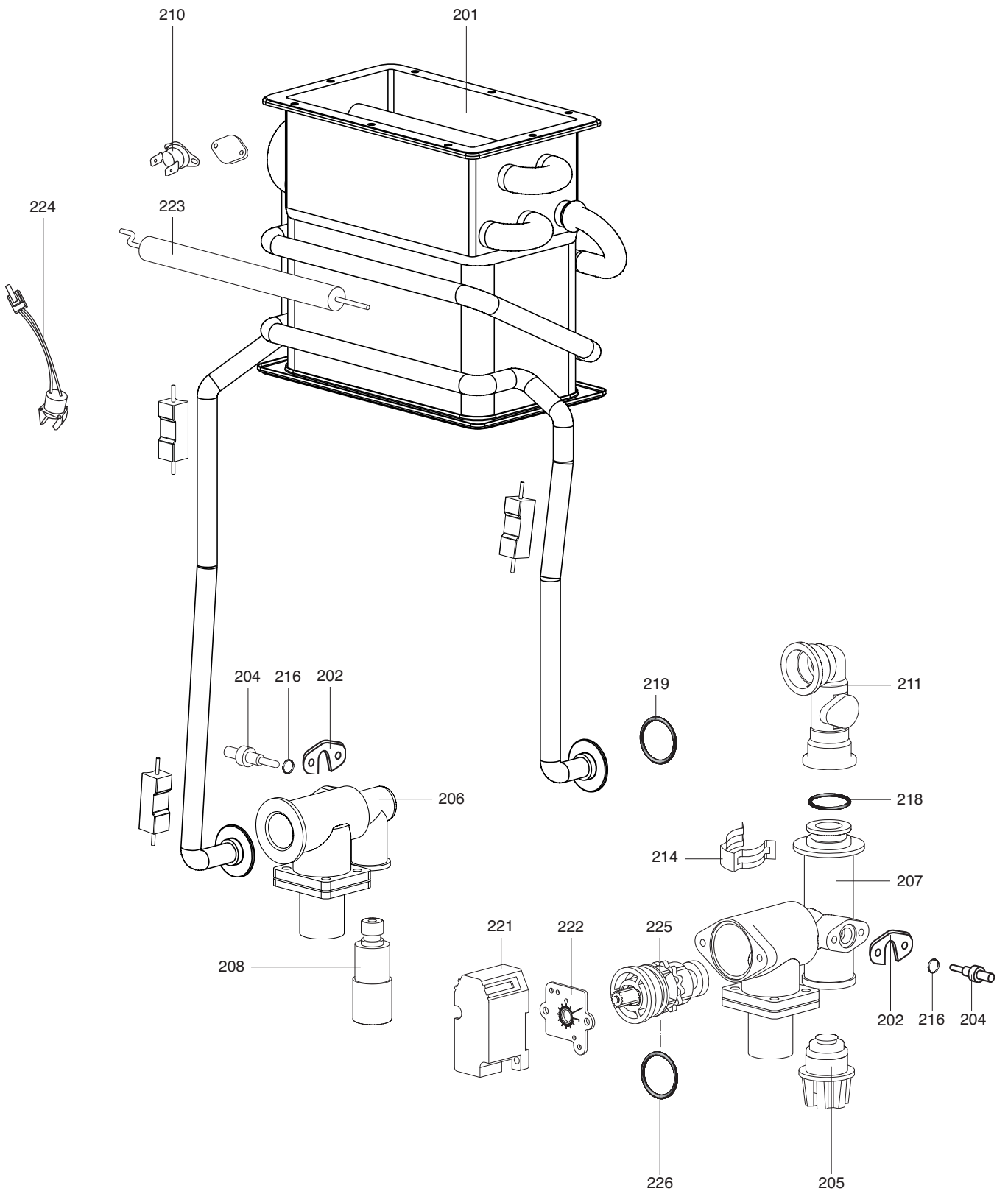


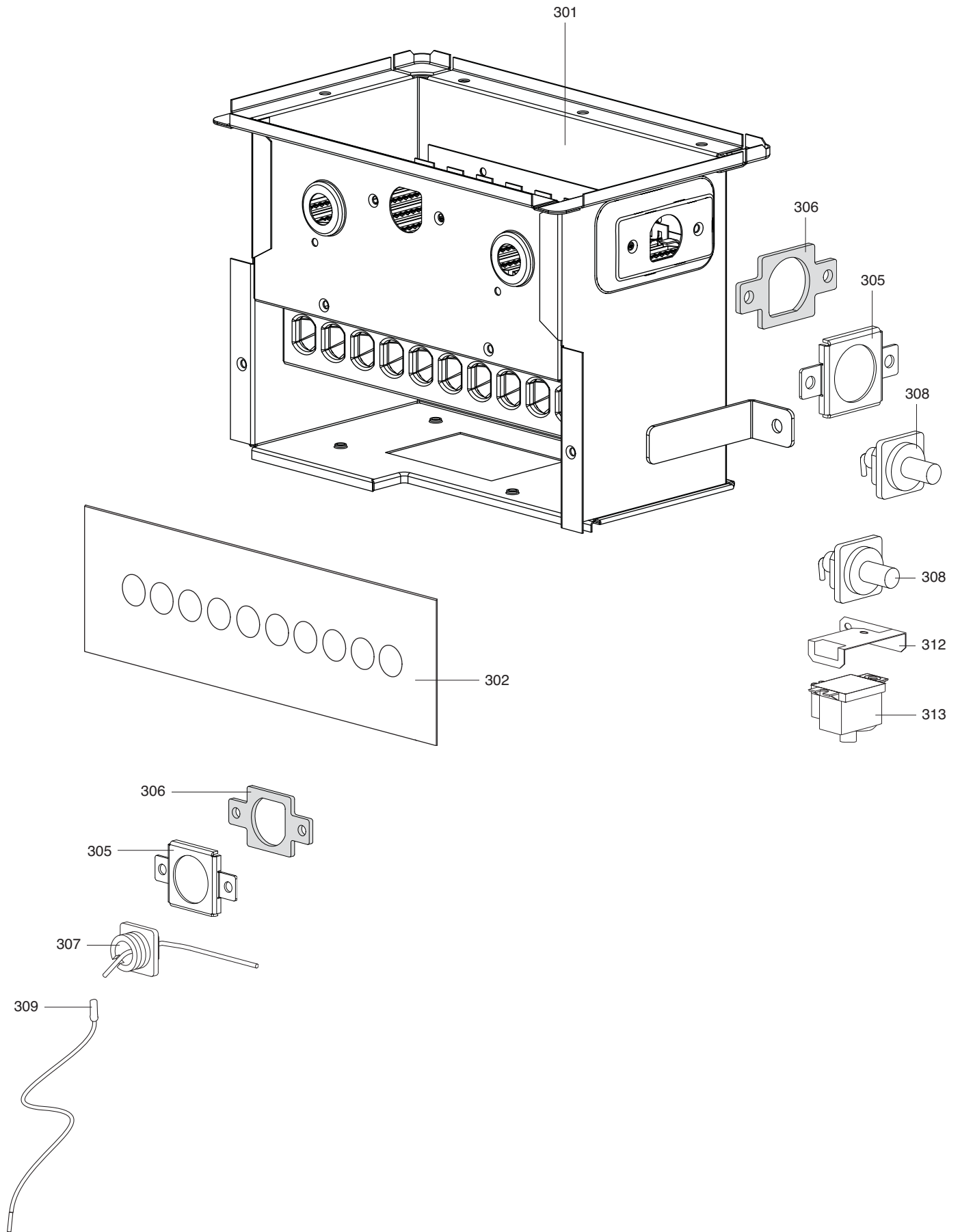
©

Description	Manf. Pt. N	Type	1	2	3	4	5	6	7	8	9	10	11	12	13	14	15	16	17	18	From	to
-------------	-------------	------	---	---	---	---	---	---	---	---	---	----	----	----	----	----	----	----	----	----	------	----

31

0101	CASE PANEL (FRONT-11L)	65152153	•																			
	CASE PANEL (FRONT-16L)	65152154		•																		
	CASE PANEL (FRONT-20L)	65152185			•	•																
0102	BACK COVER	65153466	•	•																		
	BACK COVER	65153595			•	•																
0103	FLUE HOOD 11L IPX5	65153467	•																			
	FLUE HOOD 16L IPX5	65153468		•																		
	FLUE HOOD 20L IPX5	65153596			•	•																
0104	AIRPROOF PATCH	65158398	•	•	•	•																
0105	CABLE HOLDER	65158547	•	•	•	•																
0106	GASKET (FLUE HOOD 11L)	65153469	•																			
	GASKET (FLUE HOOD 16L)	65153470		•																		
	GASKET (FLUE HOOD 20L)	65153597			•	•																



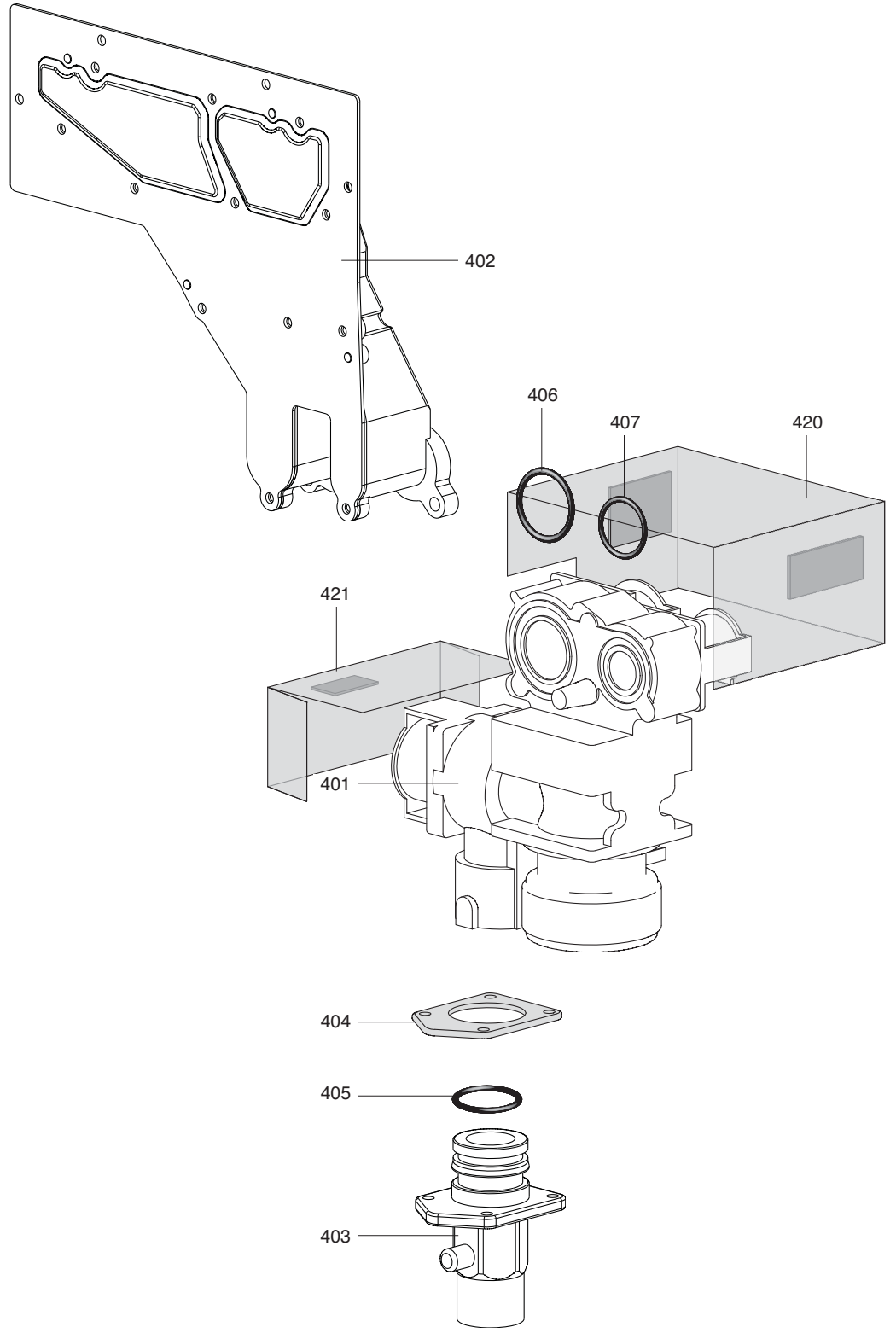


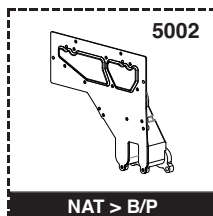
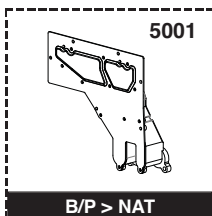
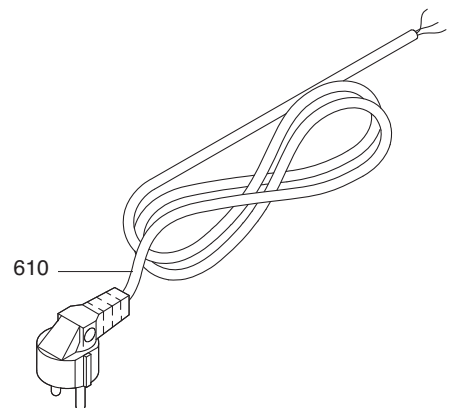
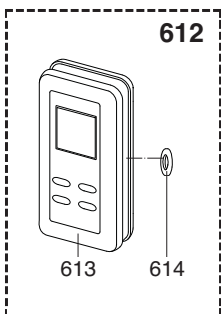
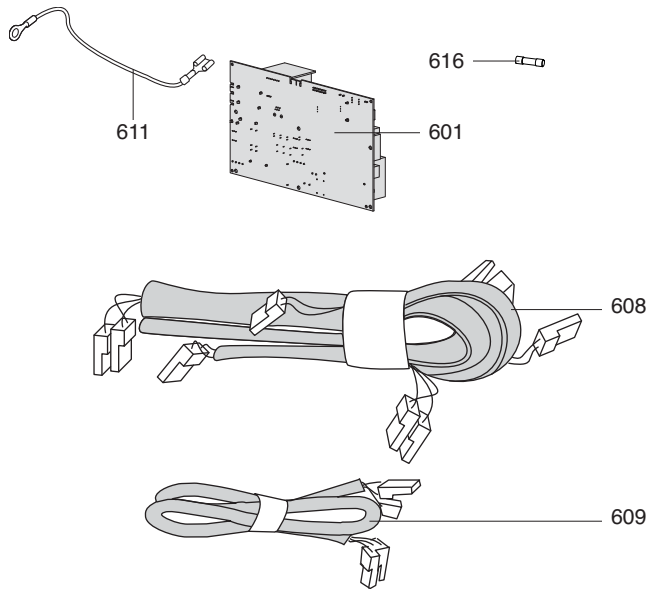
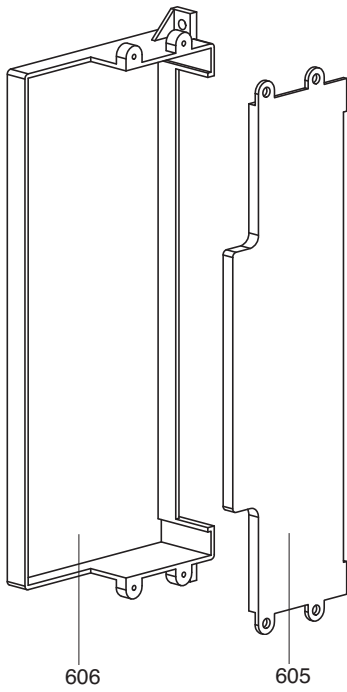
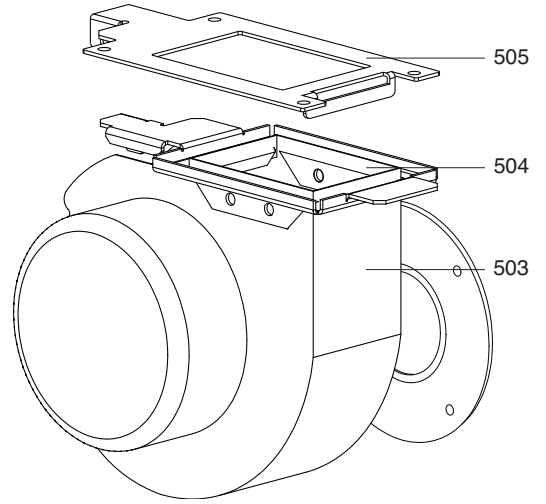
NEXT OUTDOOR 11
 NEXT OUTDOOR 16
 NEXT OUTDOOR 20
 NEXT OUTDOOR 24

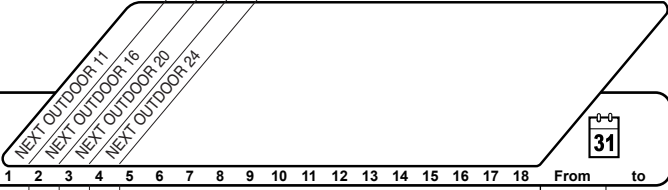
31
 From to

⓪	Description	Manf. Pt. N	Type	NEXT OUTDOOR 11, 16, 20, 24																	
				1	2	3	4	5	6	7	8	9	10	11	12	13	14	15	16	17	18
0301	COMBUSTION CHAMBER 11L IPX5	65153472		•																	
	COMBUSTION CHAMBER 16L IPX5	65153473			•																
	COMBUSTION CHAMBER 20L IPX5	65153599				•	•														
0302	16L PRIMARY AIR BOARD(LPG&NG)	65152670				•															
	20L PRIMARY AIR BOARD(LPG&NG)	65153600					•	•													
	PRIMARY AIR BOARD	65152004			•																
0305	ELECTRODE SUPPORT	65158244		•	•	•	•														
0306	AIRPROOF (10 PCS)	65158245		•	•	•	•														
0307	DETECTION ELECTRODE	65151996		•	•	•	•														
0308	IGNITION ELECTRODE	65152150		•	•	•	•														
0309	CABLE (FLAME SENSOR)	65152673		•	•	•	•														
0310	SPARK GENERATOR+ELEKTRODE REPLAC. KIT	65152148		•	•	•	•														
0312	BRACKET/IGNITER/6 SLOTS	65152652		•	•	•	•														
0313	IGNITER/6 SLOTS/DGI	65152653		•	•	•	•														

Instantaneous Gas Water Heaters
NEXT OUTDOOR EU







Description	Manf. Pt. N	Type																			From to	
			1	2	3	4	5	6	7	8	9	10	11	12	13	14	15	16	17	18		
0503 FAN	65152558		•	•																		
FAN	65153601				•	•																
0504 FAN SUPPORT	65158429				•	•																
FAN SUPPORT	65158545		•	•																		
0505 FAN ASSEMBLY SUPPORT	65158549		•	•																		
FAN SUPPORT	65158434				•	•																
0601 MAIN BOARD NEXT OUTDOOR EVO DGI	65153474		•	•	•	•																
0605 ELECTRIC BOX	65151995		•	•	•	•																
0606 ELECTRIC BOX	65153475		•	•	•	•																
0608 CABLE (HIGH VOLTAGE - CE 14/16L)	65152689		•	•	•	•																
0609 LOW VOLTAGE CABLE	65153476		•	•	•	•																
0610 CABLE (POWER SUPPLY)	65153671	ISRAELE			•	•	•	•														
POWER CABLE	65152001				•	•																
POWER CABLE	65153477		•	•																		
0611 CABLE (EARTH)	65158538		•	•	•	•																
0612 REMOTE CONTROLLER	65153478		•	•	•	•																
0613 DISPLAY COVER	65158523		•	•	•	•																
0614 CABLE HOLDER	65159068		•	•	•	•																
0616 FUSE (20-24LT)	65152186		•	•	•	•																
5001 CONVERSION KIT TO LPG	65153479		•																			
CONVERSION KIT TO LPG	65153481			•																		
CONVERSION KIT TO LPG	65153602				•	•																
5002 CONVERSION KIT TO NATURAL GAS	65153480		•																			
CONVERSION KIT TO NATURAL GAS	65153482			•																		

LIST OF THE ABBREVIATIONS

HW	: Hot water.
CW	: Cold water.
C	: Ceramic resistance (normal heating).
Ca	: Ceramic resistance (accelerated heating)
TP	: Immersion heater.
1F	: With fittings.
2F	: Without fittings.
3F	: With fittings and another outlet connection.
AMI	: With mixing valve.
SMI	: Without mixing valve.
PUISS	: Power of th appliance.
PN	: Appliance with normal pression.
LP	: Appliance with low pression.
PV	: Appliance with variable power.
PF	: Appliance with fixed power.

IDENTIFICATION PLATE

SERIAL NUMBER

6 Characters :
 Year of manufacture 03 09 08 Manufacturing day
 Month of manufacture

9 Characters :
 Year of manufacture 5 9 12 0606 Sequential number
 Month of manufacture

14 Characters :
SI-V-0B0 45 07 0001
 Sequential number
 Year of manufacture : 6 → 2004
 Month of manufacture : → 25 → January 43 → July 7 → 2005
13 → February 29 → August 8 → 2006
32 → March 40 → September etc ...
35 → April 38 → October
39 → May 51 → November
45 → June 12 → December

14 Characters :
111518 XX 000010
 Month of manufacture 11 Sequential number
 Day of manufacture 18 Year of manufacture

15 Characters :
02 11 00001 007843
 Year of manufacture 02 Product reference
 Month of manufacture 11 Sequential number

21 Characters :
3200050 XX 08115 0000001
 Product reference 3200050 Sequential number
 Year (08) / Manufacturing day (115)

22 Characters :
3200050 XX 070115 0000001
 Product reference 3200050 Sequential number
 Year (07) / Month (01) / Manufacturing day (15)

The indications mentioned on the prices, commercial or technical literature and the scheme are written for your guidance and are available at a given time. The CONSTRUCTOR retains the power to modify the presentation, the form, the size, the conception or the material of the products.