



SPARE PARTS EXPLODED VIEW  
GAS-WALL CONDENSING BOILERS  
Model  
**CLAS B ONE MAX FR**

R8218595-02 - 18/03/2021

CLAS B ONE MAX FR

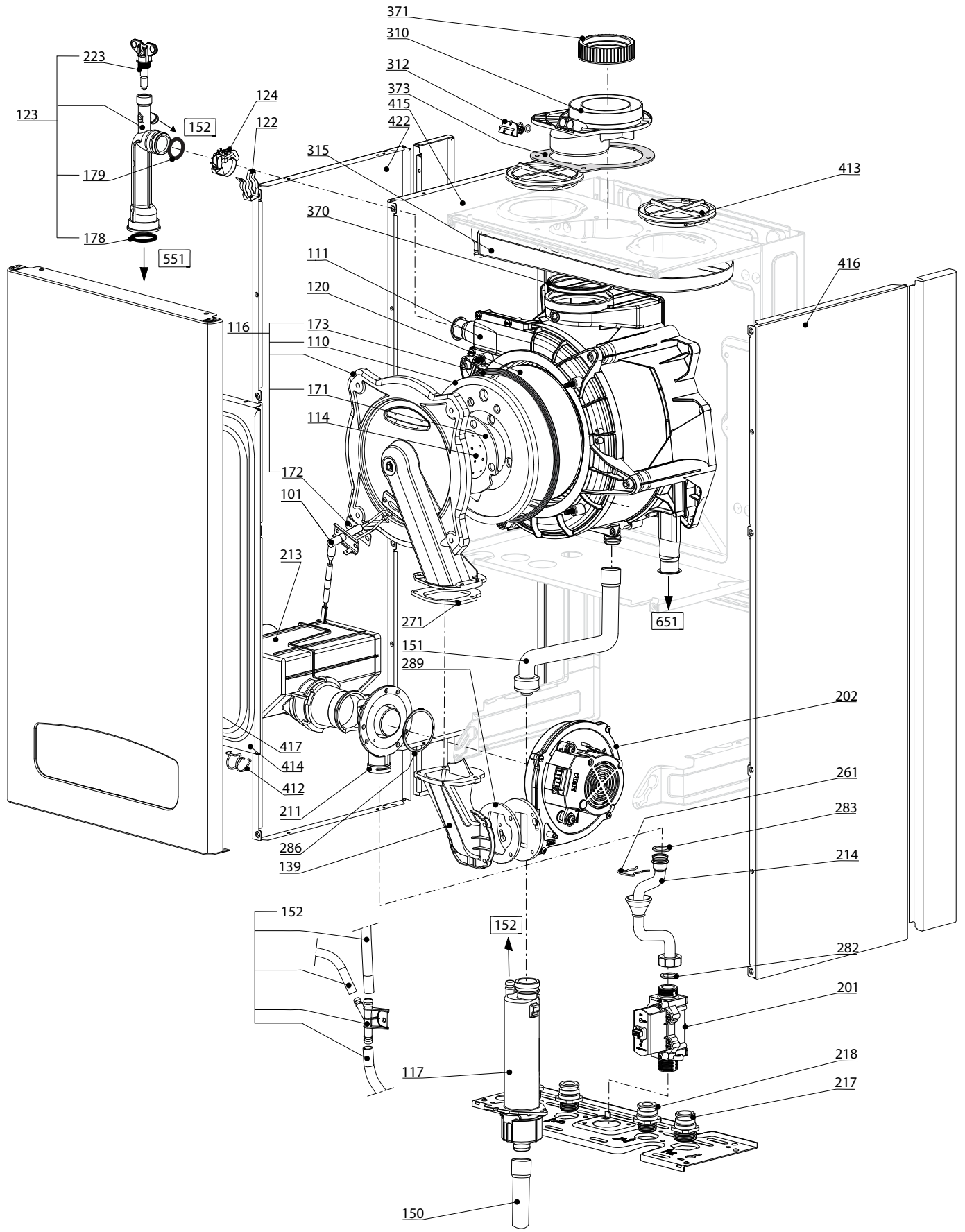
Gas-wall condensing boilers

1	3301613	CLAS B ONE MAX 25 FR	10-2020	-
2	3301614	CLAS B ONE MAX 35 FR	10-2020	-
Col	Reference	Model type	Begin	End

100  
200  
300  
400

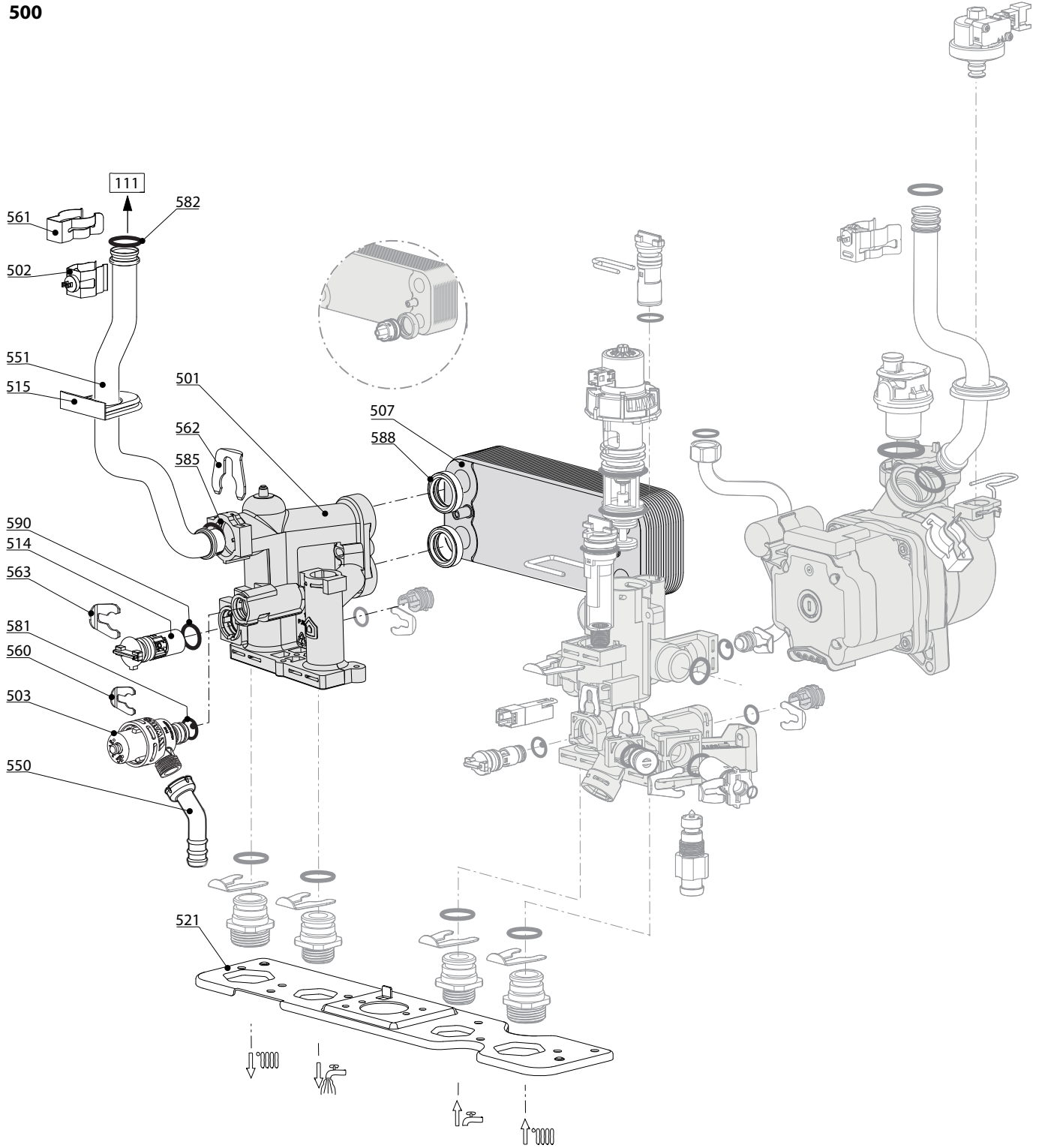
CLAS B ONE MAX FR

Gas-wall condensing boilers

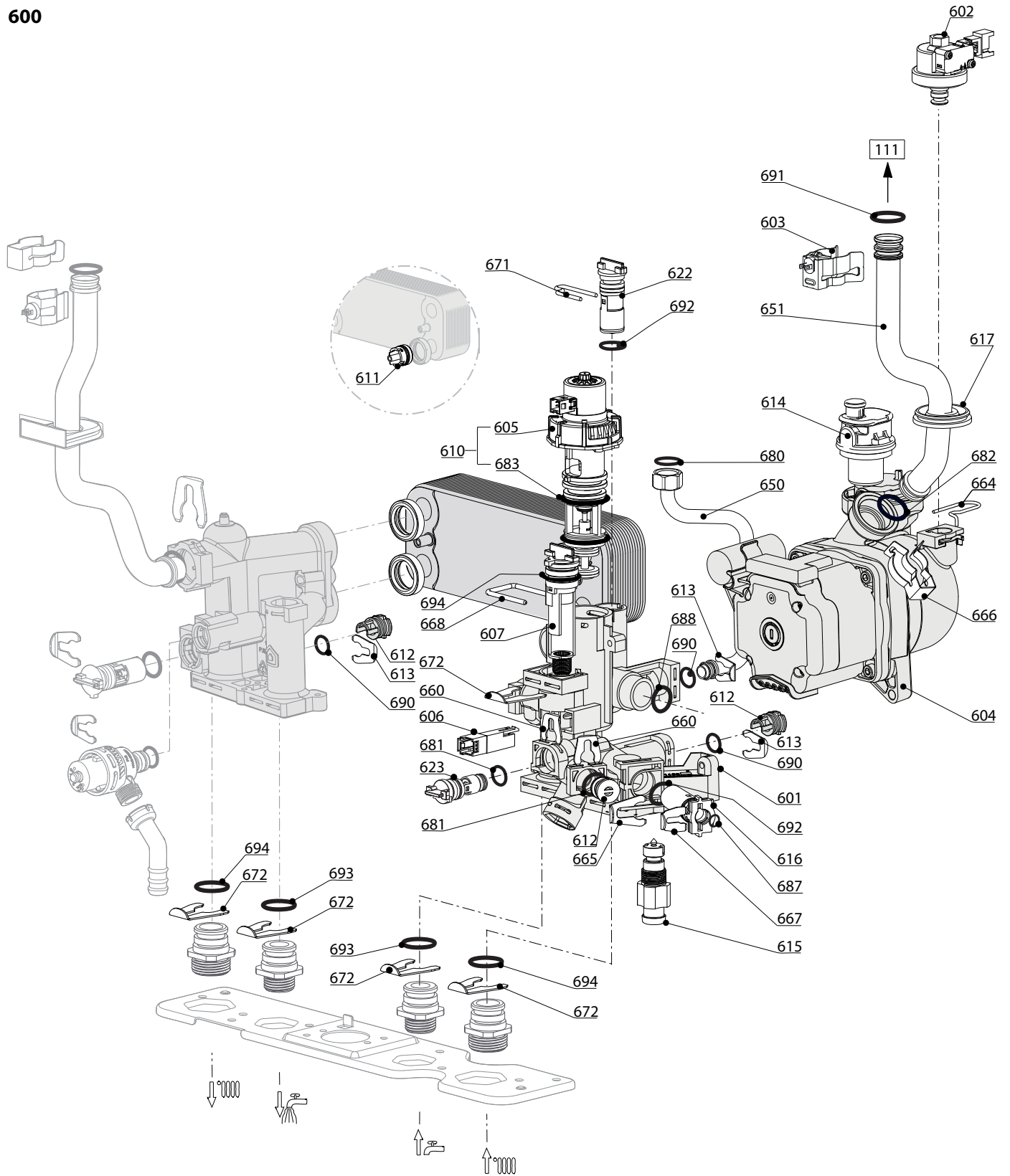


☉⇒	Description	Manf. Pt. N	Type	CLAS B ONE MAX 25 CLAS B ONE MAX 35																		31				
				1	2	3	4	5	6	7	8	9	10	11	12	13	14	15	16	17	18	From	to			
<b>0100</b>	<b>BURNER ASSEMBLY</b>																									
0101	IGNITION ELECTRODE	65117381-01		•	•																					
0110	INSULATION (FRONT PANEL)	65116512		•	•																					
0111	HEAT EXCHANGER (24KW)	60002807-02		•																						
	HEAT EXCHANGER (35KW)	60002817-02			•																					
0114	BURNER 24KW	65116514		•																						
	BURNER 35KW	65116573			•																					
0116	DOOR ASSY	65116515		•	•																					
0117	CONDENSATE TRAP	65117391		•	•																					
0120	PANEL (INSULATION - REAR)	65116047		•	•																					
0122	CLIP	65116517		•	•																					
0123	AIR VENT	65117402		•	•																					
0124	TEMPERATURE PROBE + CLIP	990686-01		•	•																					
0139	DUCT FIRST SECTION	65117429		•	•																					
0150	PLASTIC PIPE CONDENSATE DRAIN	65117092		•	•																					
0151	FLEXIBLE PIPE	65117394		•	•																					
0152	CONNECTION Y +TUBES	65117078-01		•	•																					
0171	GASKET (BURNER)	65116521		•	•																					
0172	GASKET (IGNITION ELECTRODE)	65116263		•	•																					
0173	DOOR GASKET	60000623		•	•																					
0178	O-RING 17.86X2.62	61308091		•	•																					
0179	O-RING 18X2,8	65116846		•	•																					
<b>0200</b>	<b>GAS SECTION</b>																									
0201	GAS VALVE	65116557		•	•																					
0202	FAN ASSY	60001869		•	•																					
0211	VENTURI 25KW D:5.8mm (60)	65118163		•																						
	VENTURI 35KW D:6.7mm (67)	65118165			•																					
0213	SILENCER 24-30 KW	65117413-01		•																						
	SILENCER 35 KW	65117409-01			•																					
0214	GAS PIPE 24KW	65117424		•																						
	GAS PIPE 35KW	65117415			•																					
0217	CH ADAPTER (3/4")	65114929		•	•																					
0218	DHW ADAPTER (1/2")	65114930		•	•																					
0223	DRAIN SCREW	65116528		•	•																					
0261	CLIP	65116529		•	•																					
0271	FAN GASKET	65117427		•	•																					
0282	SHEET GASKET D: 24-18.2-1.5	60022835-01		•	•																					
0283	O-RING 17,86X2,62	60002766		•	•																					
0286	O-RING 165 NBR 70 Sh 61.91x3,53	60001878		•	•																					
0289	FAN GASKET	65117428		•	•																					
<b>0300</b>	<b>FAN ASSEMBLY</b>																									
0310	BI FLUX CONNECTION	60001857-01		•	•																					
0312	FLUE TEST PORT PLUG	65104295		•	•																					
0315	SPLASH PREVENTER	65117447		•	•																					
0370	SEALING RING 80MM	60002815-01		•	•																					
0371	GASKET	60000316		•	•																					
0373	GASKET	60000317		•	•																					
<b>0400</b>	<b>SEALED CASE</b>																									
0412	SPRING FRONT PANEL (KIT)	65107048		•	•																					
0413	AIR RETURN COVER	65104249		•	•																					
0414	PANEL (FRONT - SEALED CHAMBER)	65105678-02		•	•																					
0415	CASE PANEL (L.H. SIDE)	65105676		•																						
	LEFT HAND PANEL	60000980			•																					
0416	HAND PANEL	60001244			•																					
	RIGHT SIDE PANEL	60001245		•																						
0417	CASE PANEL (FRONT)	65117821		•	•																					
0422	HAND PANEL	60001244		•	•																					

500







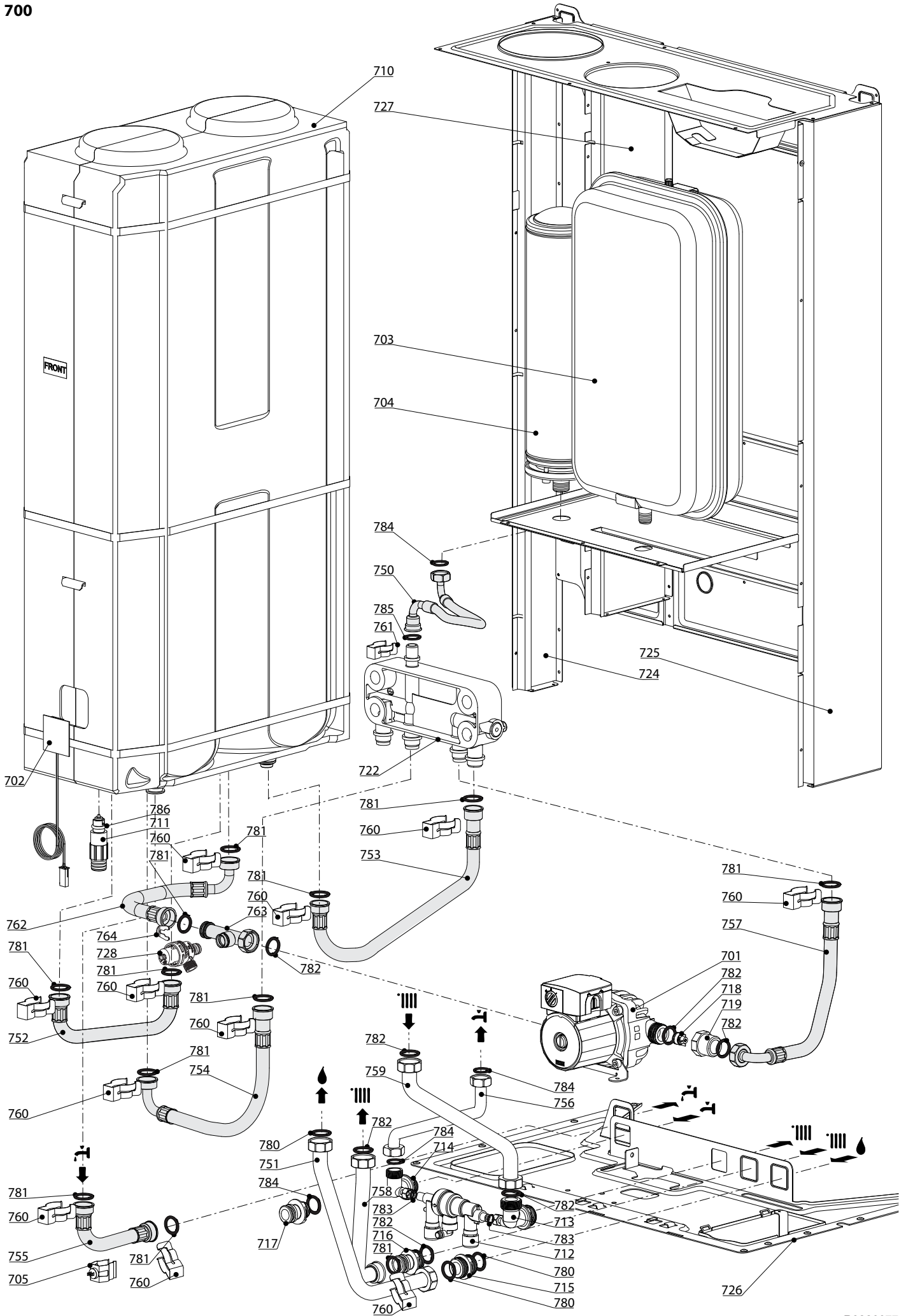
CLAS B ONE MAX 25  
 CLAS B ONE MAX 35

31

☉⇒	Description	Manf. Pt. N	Type	CLAS B ONE MAX 25 / CLAS B ONE MAX 35																		From	to
				1	2	3	4	5	6	7	8	9	10	11	12	13	14	15	16	17	18		
0600	<b>RETURN GROUP</b>																						
0601	RETURN GROUP	65117954		●	●																		
0602	PRESSURE SWITCH (PROPORTIONAL)	65115793		●	●																		
0603	TEMPERATURE PROBE + CLIP	990686-01		●	●																		
0604	PUMP 5M PWM TACO	65116908-03	TACO	●	●																		
0605	MOTOR (3-WAY VALVE)	65114936		●	●																		
0606	SENSOR (REED)	65114921-01		●	●																		
0607	FLOW METER CAP	65114919		●	●																		
0610	MOTOR + SPRING 3 WAY VALVE KIT	65114924		●	●																		
0611	RIDUCTORS (KIT)	65116836		●	●																		
0612	PLUG	65114920		●	●																		
0613	CLIP D10	65104260		●	●																		
0614	AUTO AIR VENT - TACO ENER+	65112086	TACO	●	●																		
0615	DRAIN COCK	65114922		●	●																		
0616	WATER FILTER	65114923		●	●																		
0617	GROMMET	61010109		●	●																		
0622	BY-PASS	65114917		●	●																		
0623	CHECK VALVE CARTRIDGE	65114918-01		●	●																		
0650	PIPE (EXPANSION VESSEL)	65117725		●	●																		
0651	PIPE (C.H. RETURN)	60002811		●	●																		
0660	CLIP D:10	65114933		●	●																		
0664	CLIP	65104322		●	●																		
0665	CLIP D:12	65114932		●	●																		
0666	CLIP	60000309		●	●																		
0667	CLIP D:6	65100680		●	●																		
0668	CLIP	65114927		●	●																		
0671	CLIP	65114926		●	●																		
0672	CLIP D=19	65114931		●	●																		
0680	GASKET 3/8 in	573521		●	●																		
0681	O-RING 9.9X2.62	65114937		●	●																		
0682	O-RING 17.04X3.53	65104262		●	●																		
0683	O-RING 23.47X2.62	65114939		●	●																		
0687	O-RING 5.7X1.9	61009834-10		●	●																		
0688	O-RING 21.89X2.62	65104320		●	●																		
0690	O-RING 8.9X2.7	61009834-14		●	●																		
0691	O-RING 17.86X2.62	61308091		●	●																		
0692	O-RING 11.91X2.62	65114940		●	●																		
0693	O-RING 15,88X2,62	65114941		●	●																		
0694	O-RING 17.13X2.62	65114938		●	●																		

CLAS B ONE MAX FR

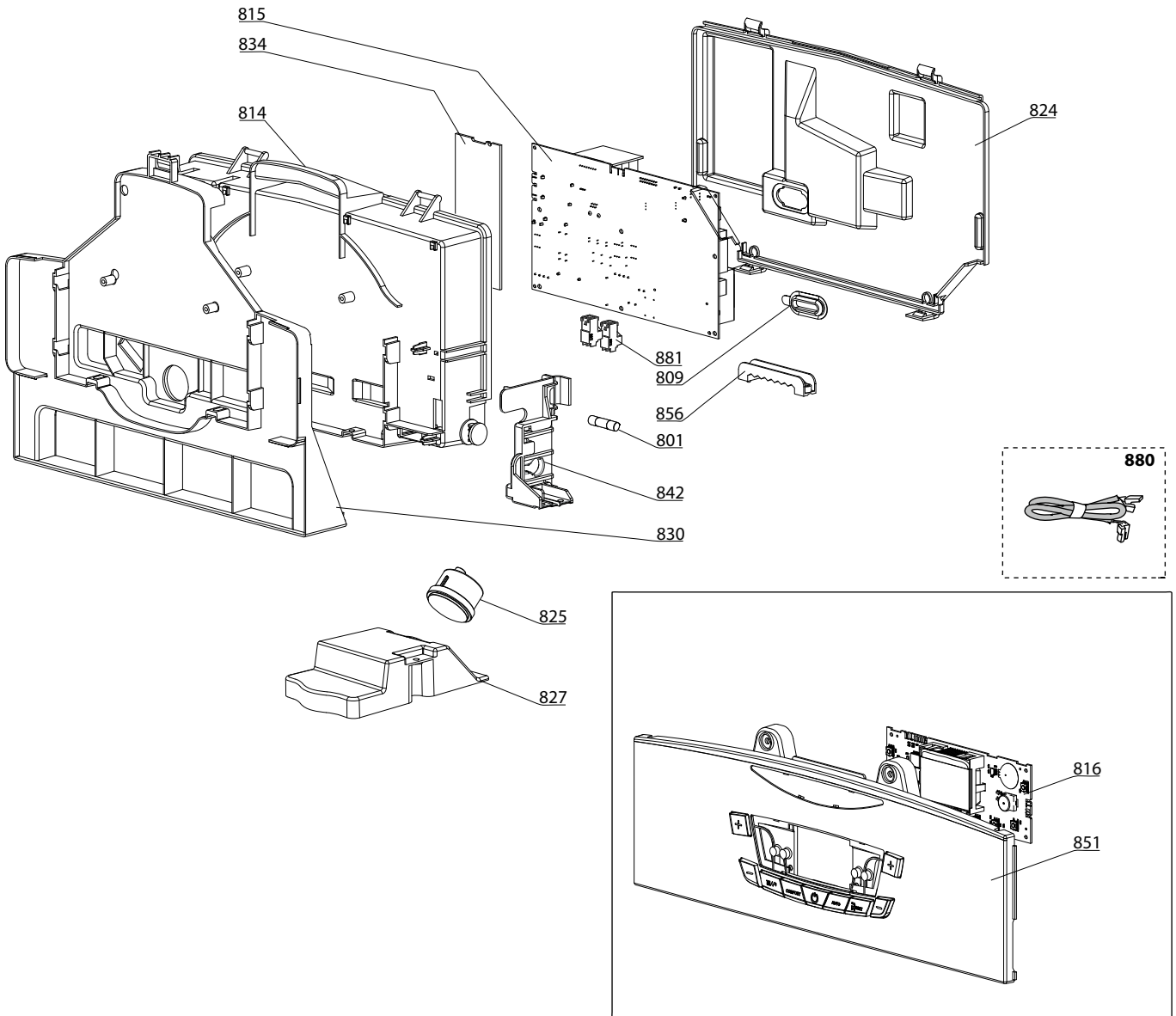
Gas-wall condensing boilers







800



5000

**5020**  
 Accessories  
 Options  
 Opzioni  
 Accessorio  
 Zubehör  
 Opties



## LIST OF THE ABBREVIATIONS

HW .....	: Hot water.
CW .....	: Cold water.
C .....	: Ceramic resistance (normal heating).
Ca .....	: Ceramic resistance (accelerated heating)
TP .....	: Immersion heater.
1F .....	: With fittings.
2F .....	: Without fittings.
3F .....	: With fittings and another outlet connection.
AMI .....	: With mixing valve.
SMI .....	: Without mixing valve.
PUISS .....	: Power of th appliance.
PN .....	: Appliance with normal pression.
LP .....	: Appliance with low pression.
PV .....	: Appliance with variable power.
PF .....	: Appliance with fixed power.

## IDENTIFICATION PLATE

### SERIAL NUMBER

<b>10 Characters :</b>	04 05 125 011	Sequential number
		Manufacturing day
		Year of manufacture
<b>11 Characters :</b>	1 95 065004 - 31	Technical number of the appliance
Month of manufacture : from 1 to 9 → Jan. to Sep., O → Oct., N → Nov., D → Dec.		Sequential number
		Year of manufacture
<b>19 Characters :</b>	08 05 0013199 900640031	Product reference
Year of manufacture		Sequential number
Month of manufacture		
<b>20 Characters :</b>	3675007 XX 2 07 070 00315	Sequential number
Product reference		Manufacturing day
Millenium of manufacture		Year of manufacture
<b>21 Characters :</b>	3675007 XX 07 070 0000315	Sequential number
Product reference		Manufacturing day
Year of manufacture		