



SPARE PARTS EXPLODED VIEW  
GAS-WALL BOILER ATM. BURNER

Model

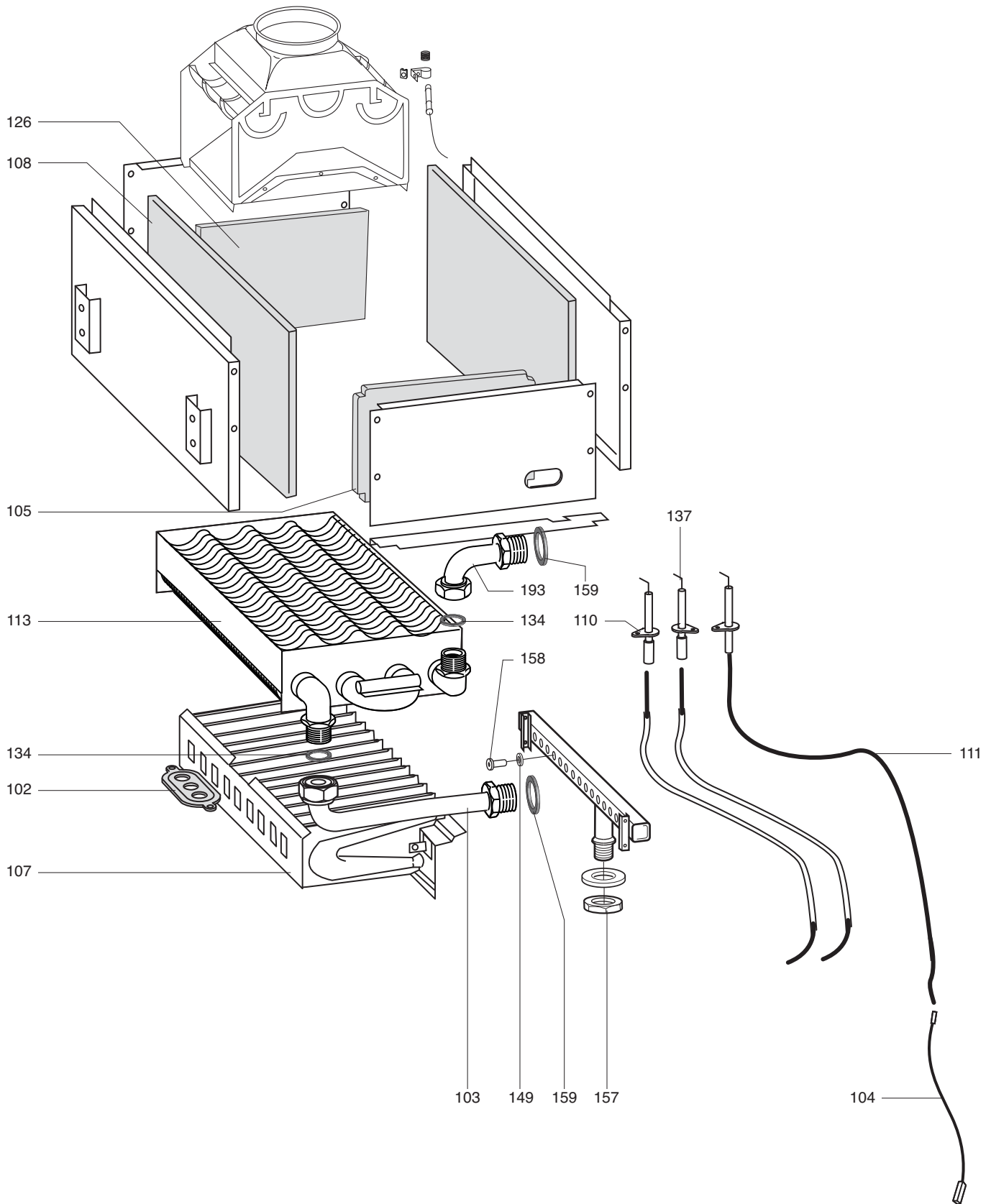
**A**

R8216537-01 - 14/07/2016

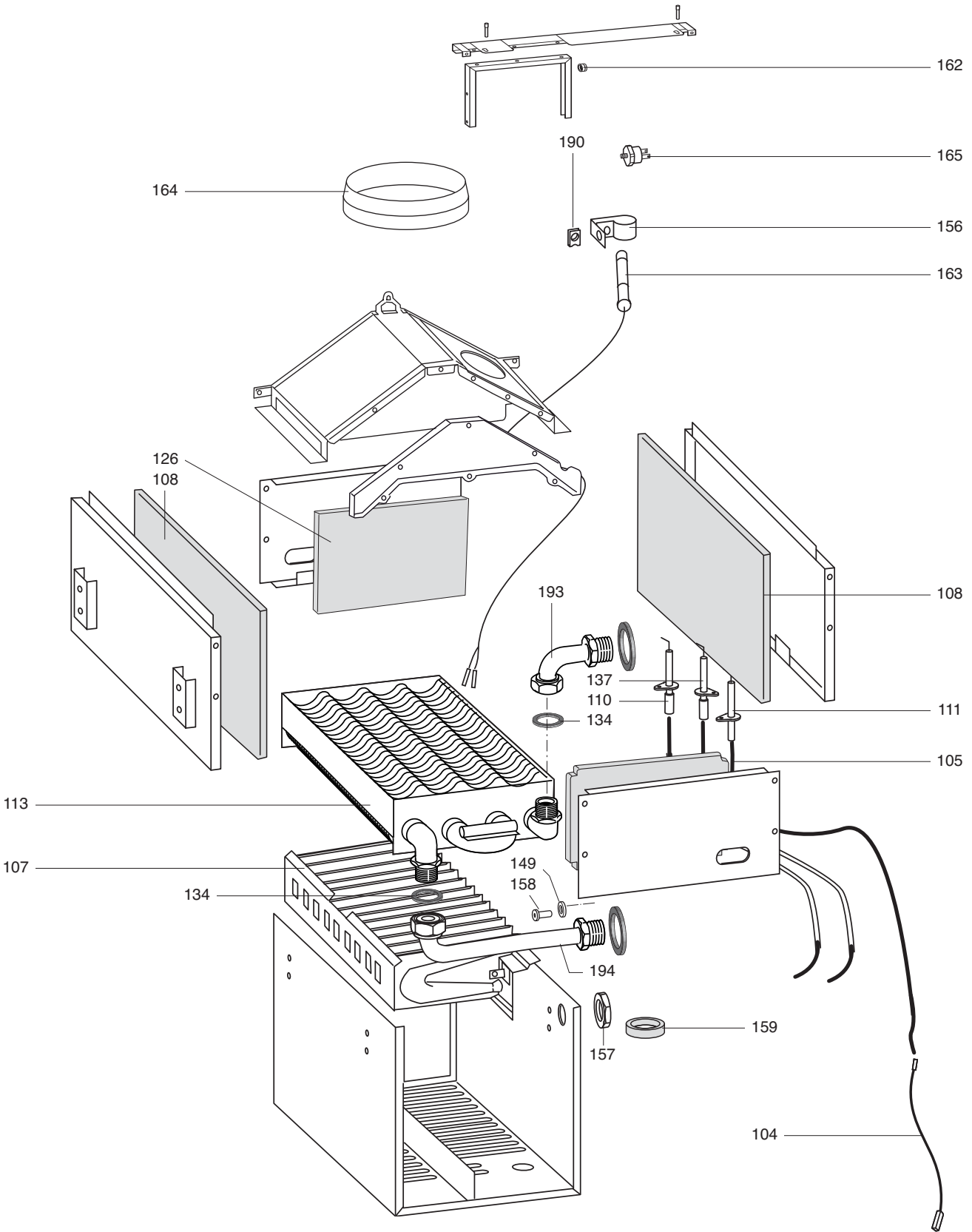
A BI/BFFI

Gas-wall boiler atm. burner

1	535335	GENUS 23/60 BFFI (F,B) MET	03-1999	07-2004
1	535336	GENUS 23/60 BFFI (F,B) GPL	03-1999	07-2004
2	535333	GENUS 23/60 BI (F,B) MET	06-1999	05-2004
2	535334	GENUS 23/60 BI (F,B) GPL	06-1999	06-2006
3	535337	GENUS 23/60 BI VMC (F,B) MET	06-1999	07-2004
3	535338	A 23/60 BI VMC GPL	06-1999	05-2005
Col	Reference	Model type	Begin	End



☉⇒	Description	Manf. Pt. N	Type	<div style="display: flex; justify-content: space-between; align-items: center;"> <div style="writing-mode: vertical-rl; transform: rotate(180deg); font-size: small;">           A2360 BFFI MET/GPL            A2360 BI MET/GPL            A2360 BI VNC MET/GPL         </div> <div style="border: 1px solid black; padding: 2px;">           31         </div> </div>																		From	to
				1	2	3	4	5	6	7	8	9	10	11	12	13	14	15	16	17	18		
0100	SEALED CASE			•																			
0102	IGNITION ELECTRODE CABLE RUBBER	998147		•																			
0103	PIPE (RETURN - MAIN EXCHANGER)	570584		•																			
0104	CABLE (DETECTION ELECTRODE/P.C.B.)	571657		•																			
0105	PANEL (INSULATION - FRONT)	998133		•																			
0107	BURNER 13 RAMP (LPG)	572992		•																			
0108	PANEL (INSULATION - SIDE)	998137		•																			
0110	ELECTRODE (IGNITION L.H.)	569561		•																			
0111	ELECTRODE (DETECTION)	573441		•																			
0113	MAIN EXCHANGER	572415		•																			
0126	PANEL (INSULATION - REAR)	998148		•																			
0134	GASKET 3/4"	573520		•																			
0137	ELECTRODE (IGNITION R.H.)	569560		•																			
0149	BURNER JET WASHER	572138		•																			
0157	LOCK NUT (BRASS) 3/4	569446		•																			
0158	BURNER JET (L.P.G. 0.72)	570251	LPG	•																			
	BURNER JET (NG 1.25)	570248	NG	•																			
0159	GASKET 37X26X2	569413		•																			
0193	PIPE (FLOW - MAIN EXCHANGER)	570585		•																			

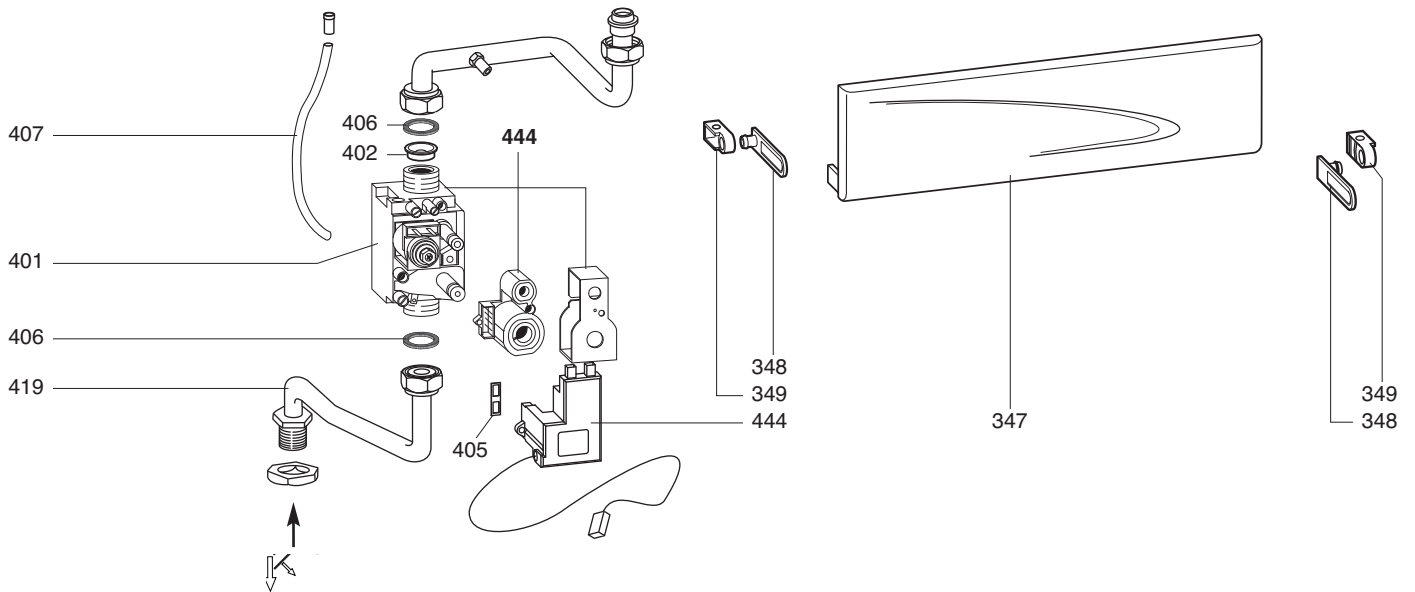
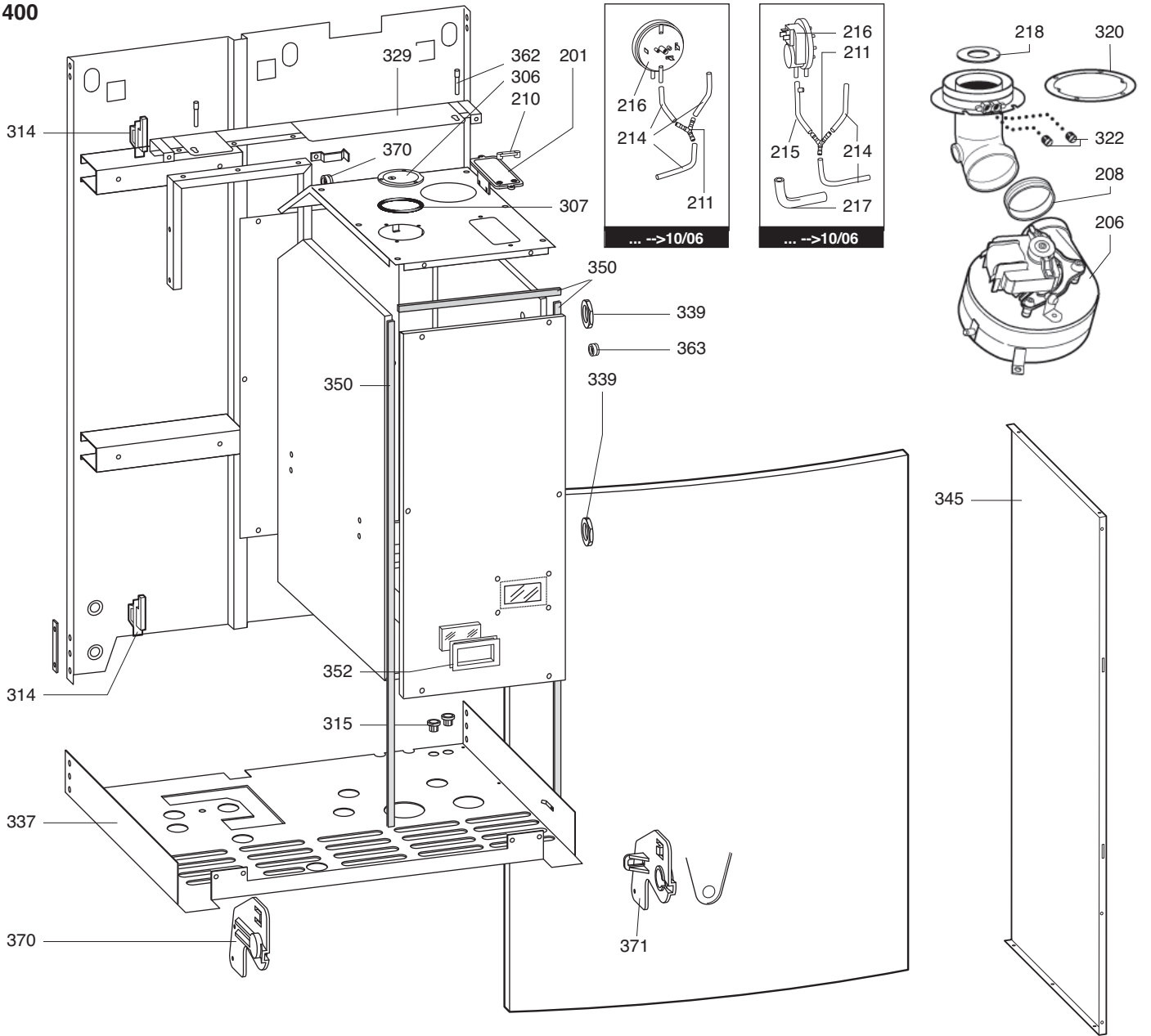




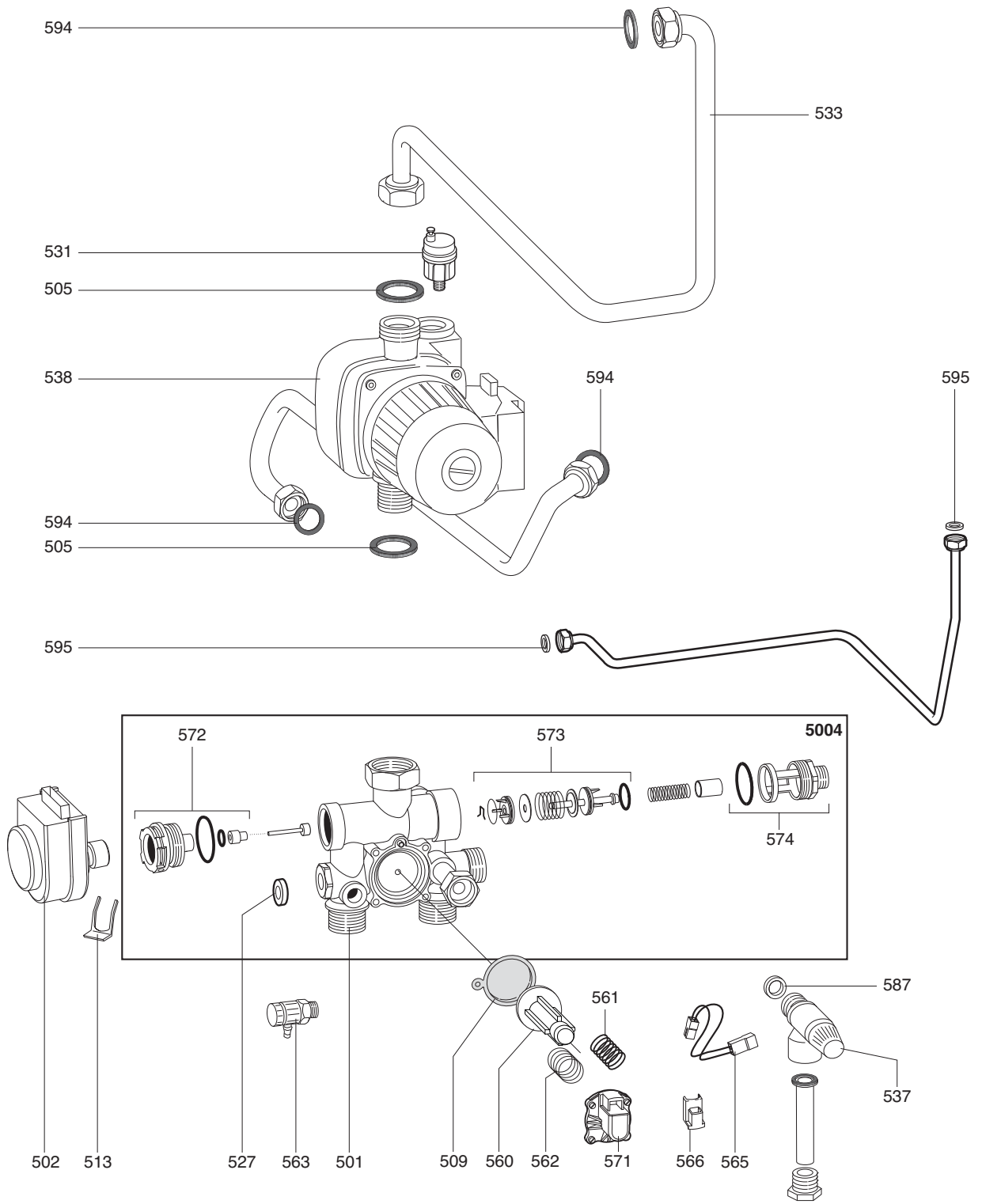
200  
300  
400

A BI/BFFI

Gas-wall boiler atm. burner





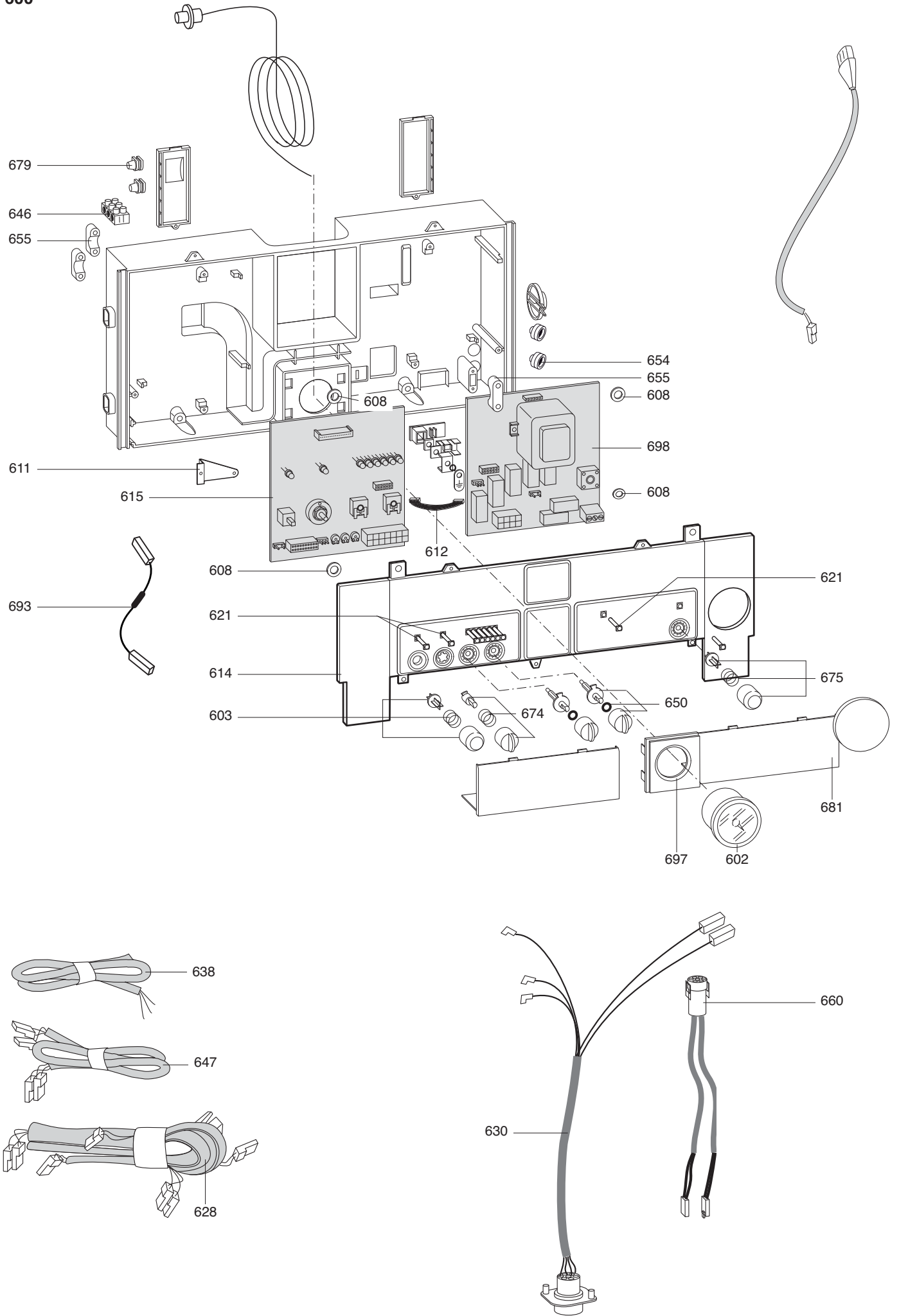




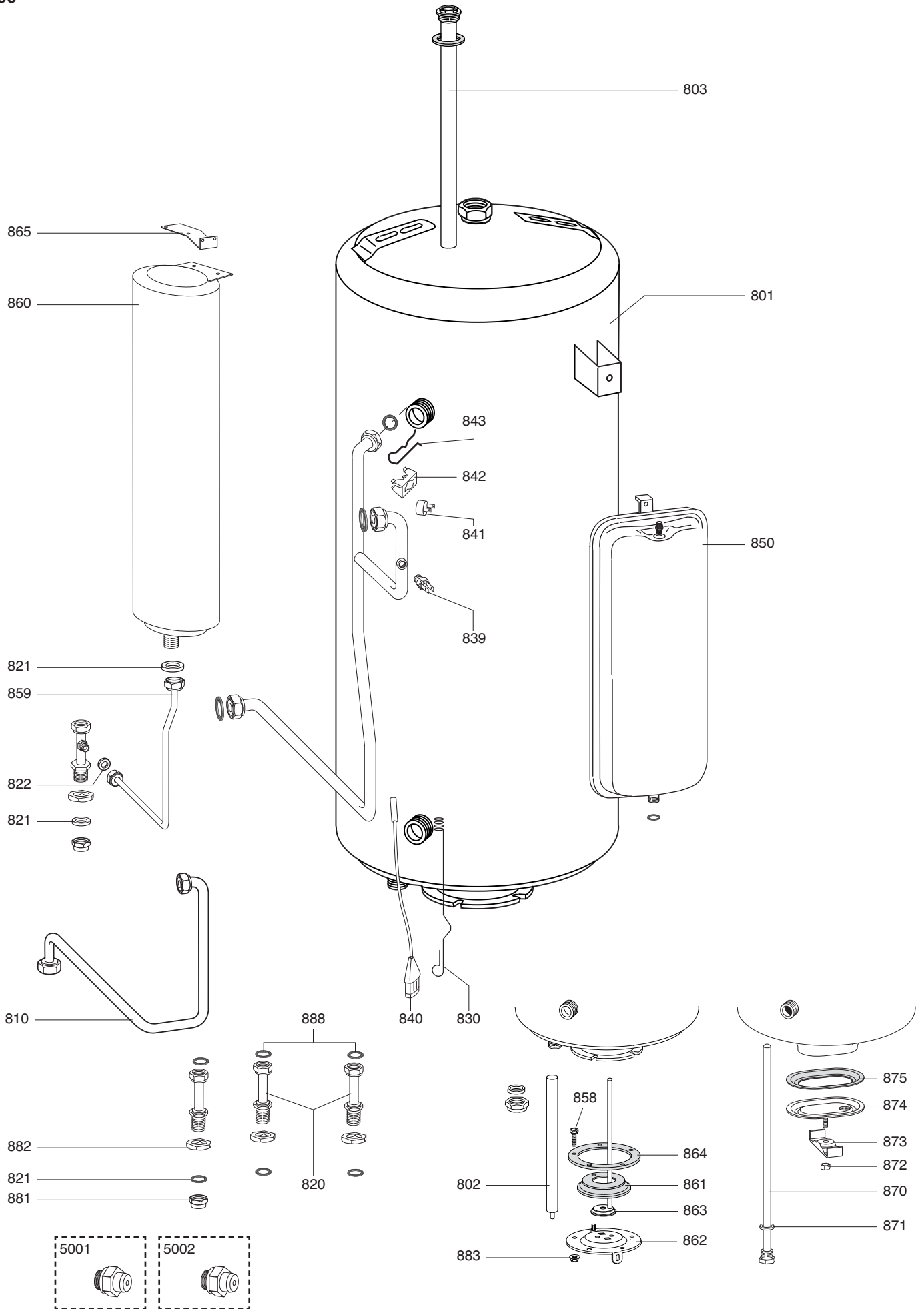
☉⇒	Description	Manf. Pt. N	Type	<div style="display: flex; justify-content: space-between; align-items: center;"> <div style="transform: rotate(-45deg); font-size: small;"> A2360 BFFI MET/GPL  A2360 BI MET/GPL  A2360 BI VNC MET/GPL </div> <div style="border: 1px solid black; padding: 2px;"> 0-0  <b>31</b> </div> </div>																		From	to
				1	2	3	4	5	6	7	8	9	10	11	12	13	14	15	16	17	18		
0500	<b>WATER SECTION ASSY</b>																						
0501	HYDRAULIC GROUP	995497		●	●	●																	
0502	MOTOR (3-WAY VALVE)	997147		●	●	●																	
0505	GASKET 1	569387		●	●	●																	
0509	DIAPHRAGM (MAIN FLOW SWITCH)	571547		●	●	●															09/03		
	DIAPHRAGM (PRESSURE SWITCH)	572170		●	●	●														10/03			
0513	FIXING CLIP (MOTOR)	997077		●	●	●																	
0527	GASKET 1/4	569390		●	●	●																	
0531	AUTO AIR VENT + O-RING	995367		●	●	●														10/03			
	AUTOMATIC AIR RELEASE VALVE	571639		●	●	●															09/03		
0533	PIPE (C.H. FLOW)	65100548		●	●	●																	
0537	SAFETY VALVE (1/2 M/F 3 BAR)	571004		●	●	●																	
0538	KIT FOR VERT. 1 PUMP ATTACHMENTS+JOLLY	996613		●	●	●																	
0560	MAGNET (MAIN FLOW SWITCH)	571772		●	●	●																	
0561	SPRING (MAIN FLOW SWITCH)	571771		●	●	●																	
	SPRING (MAIN FLOW SWITCH)	571771				●														10/03			
0562	SPRING INOX (SANITARY)	571776		●	●	●														10/03			
0563	DRAIN VALVE	573727		●	●	●																	
0565	PRESSURE SWITCH EXTENSION CABLE	998468		●	●	●														10/03			
0566	MICROSWITCH - MAIN FLOW SWITCH	998172		●	●	●																	
0571	MAIN FLOW SWITCH KIT	65100519		●	●	●																	
0572	ACTUATOR BUSH (C.H.)	998013		●	●	●																	
0573	ASSEMBLED SHUTTER	65105144		●	●	●																	
0574	3-WAY SPRING KIT (D.H.W.)	998973		●	●	●																	
0587	GASKET 1/2"	573528		●	●	●																	
0594	GASKET 3/4"	573520		●	●	●																	
0595	GASKET 3/8"	573521		●	●	●																	

A BI/BFFI

Gas-wall boiler atm. burner









## LIST OF THE ABBREVIATIONS

HW .....	: Hot water.
CW .....	: Cold water.
C .....	: Ceramic resistance (normal heating).
Ca .....	: Ceramic resistance (accelerated heating)
TP .....	: Immersion heater.
1F .....	: With fittings.
2F .....	: Without fittings.
3F .....	: With fittings and another outlet connection.
AMI .....	: With mixing valve.
SMI .....	: Without mixing valve.
PUISS .....	: Power of th appliance.
PN .....	: Appliance with normal pression.
LP .....	: Appliance with low pression.
PV .....	: Appliance with variable power.
PF .....	: Appliance with fixed power.

## IDENTIFICATION PLATE

### SERIAL NUMBER

<b>10 Characters :</b>	04 05 125 011	
		Sequential number
		Manufacturing day
		Year of manufacture
<b>11 Characters :</b>	1 95 065004 - 31	
Month of manufacture :		Technical number of the appliance
from 1 to 9 → Jan. to Sep.,		Sequential number
O → Oct., N → Nov.,		Year of manufacture
D → Dec.		
<b>19 Characters :</b>	08 05 0013199 900640031	
Year of manufacture		Product reference
Month of manufacture		Sequential number
<b>20 Characters :</b>	3675007 XX 2 07 070 00315	
Product reference		Sequential number
Millenium of manufacture		Manufacturing day
		Year of manufacture
<b>21 Characters :</b>	3675007 XX 07 070 0000315	
Product reference		Sequential number
Year of manufacture		Manufacturing day