



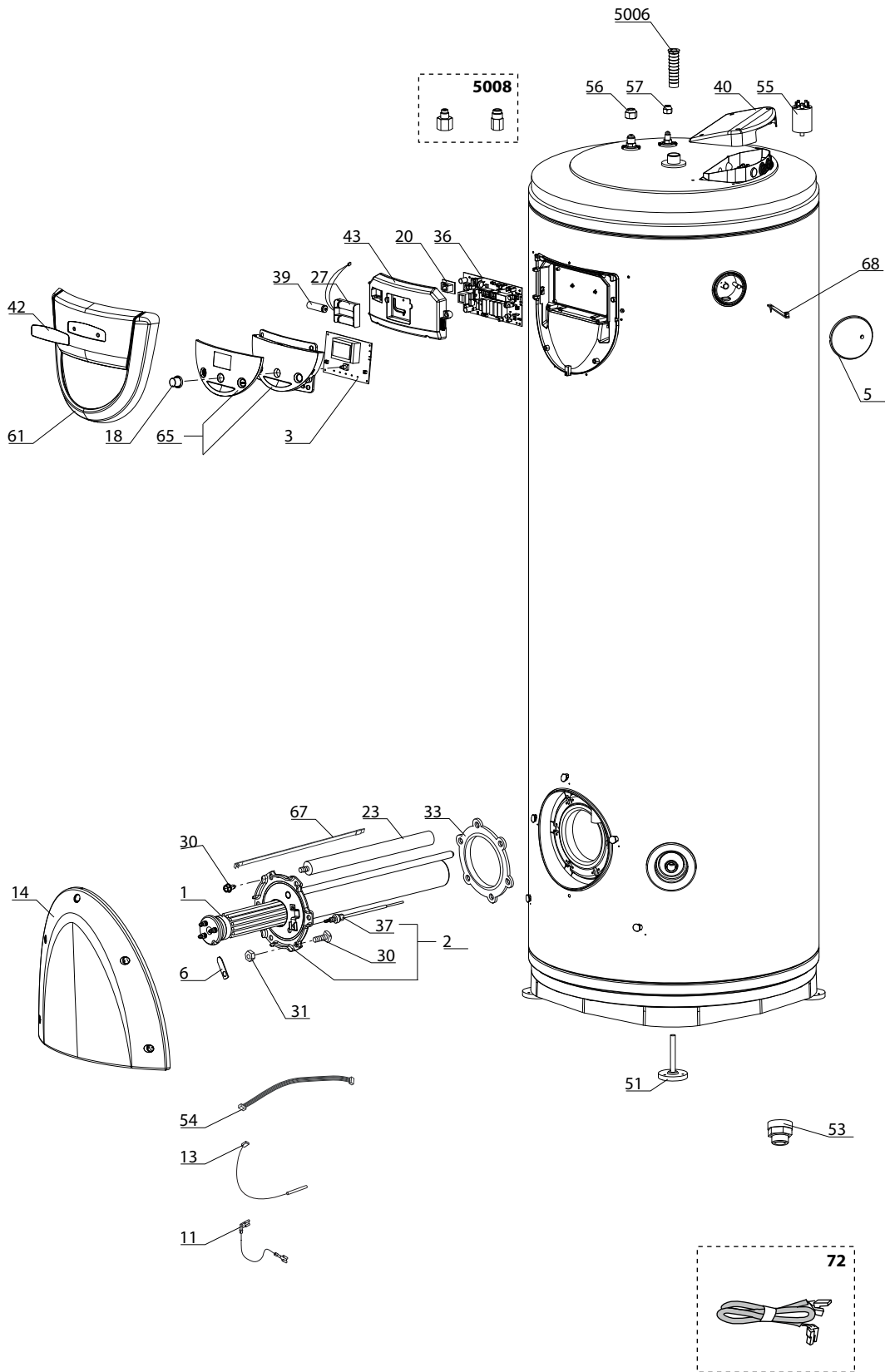
SPARE PARTS EXPLODED VIEW  
HEAT PUMPS  
Model  
**NUOS SPLIT FS**

R8203335-09 - 13/02/2019

NUOS SPLIT FS

Heat pumps

1	3069403	NUOS SPLIT TANK FS 300	09-2011	09-2015
1	3079037	NUOS SPLIT TANK FS 300	04-2015	10-2017
2	3069504	NUOS SPLIT FLEX TANK FS 270	07-2017	-
Col	Reference	Model type	Begin	End



NUOS SPLIT FS 300  
NUOS SPLIT FLEX FS 270

	Description	Manf. Pt. N	Type	1	2	3	4	5	6	7	8	9	10	11	12	13	14	15	16	17	18	From	to
0001	CERAMIC RESISTANCE 1000-1500-2500W D.50	60001714		●	●																		
0002	FLANGE WITH ANODE	60001789		●																		06/12	05/12
	FLANGE WITH ANODE	60001835		●																		06/12	
	FLANGE WITH ANODE	60002530			●																		
0003	P.C.B. (DISPLAY)	60001830-02		●	●																		
0005	PROBE COVER	60002538		●	●																		
0006	FIXING BRACKET	60072531		●	●																		
	LEG MAINTENANCE CERAMIC RESISTANCE	65408021		●																			
0011	EARTH WIRE	60001717		●	●																		
0013	CABLE MB-PROBE TEMP	60002853		●	●																		
	HOT WATER PROBE	60001813		●	●																		
0014	COVER	60001810		●	●																		
0018	KNOB	60001708		●	●																		
0020	CONNECTIVE INDEX WITH SERIAL PORT	65108436		●	●																		
0023	ANODE D:25,5 L:180 M5-M8	977127-01		●	●																		
	ANODE D:25,7 L:380 M8	65102462		●	●																		
0027	BATTERY HOLDER	60000478		●	●																		
0030	SCREW M10X32	918061		●	●																	06/12	05/12
	SCREW M8X14 (6 PCES)	60000681		●	●																	06/12	
	SCREW M8X14 (6 PCES)	60000681		●	●																	06/12	
0031	NUT M10	64912308		●	●																		05/12
0033	FLANGE GASKET D121,7X105X11,5	60000682		●	●																	06/12	
	FLANGE GASKET D121,7X105X11,5	60000682		●	●																	06/12	
	FLANGE GASKET WITH 6 HOLES	60003236		●	●																		05/12
0036	PRINTED CIRCUIT BOARD POWER	60002830-01		●	●																		
0037	ANODE (PROTECH)	65109749		●	●																		
	ANODE (PROTECH)	65111197		●	●																		
0039	BATTERY AA	60000443		●	●																		
0040	BOX COVER	60001812		●	●																		
0042	PLATE ARISTON	60001707		●	●																		
0043	BASE - BOX	60001809		●	●																		
0051	ADJUSTABLE FOOT	65111175		●	●																		
0053	DIELECTRIC JOINT 3/4Z	926195		●	●																		
0054	WIRING (CONTROL BOARD)	65109619		●	●																		
0055	ANTIJAMMING FILTER	65110089		●	●																		
0056	PLUG BRASS G 5/8»	60001805		●	●																		
0057	PLUG BRASS G 7/16»	60001806		●	●																		
0061	BOX COVER	60001811		●	●																		
0065	TRIM	65110064		●	●																		
0067	SENSOR	65102543		●	●																		
0068	PROBE	60002537		●	●																		
0072	HEAT P.C.B. > EXTERNAL COMPLETE	60001815		●	●																		
	RESISTOR - SENSOR CABLE > P.C.B.	60001787		●	●																		
	WIRING POWER	60001814		●	●																		
<b>5000</b>	<b>ACCESSORIES</b>																						
5006	INSERT 3/4	60001255		●	●																		
5008	FITTINGS FOR GAS CONNECTIONS	65116482		●	●																		

## LIST OF THE ABBREVIATIONS

HW .....	: Hot water.
CW .....	: Cold water.
C .....	: Ceramic resistance (normal heating).
Ca .....	: Ceramic resistance (accelerated heating)
TP .....	: Immersion heater.
1F .....	: With fittings.
2F .....	: Without fittings.
3F .....	: With fittings and another outlet connection.
AMI .....	: With mixing valve.
SMI .....	: Without mixing valve.
PUISS .....	: Power of the appliance.
PN .....	: Appliance with normal pressure.
LP .....	: Appliance with low pressure.
PV .....	: Appliance with variable power.
PF .....	: Appliance with fixed power.

## IDENTIFICATION PLATE

### SERIAL NUMBER

**9 Characters :** 07 91 00301 (from 01/77 to 12/92)

Month of manufacture — 07 — 91 — Sequential number  
Year of manufacture — 00 — 30 — 1

**10 Characters :** 95 01 065004 (from 01/93 to 06/95)

Year of manufacture — 95 — 01 — Sequential number  
Month of manufacture — 06 — 50 — 04

**OU**

**10 Characters :** 01 95 065004 (from 07/95)

Month of manufacture — 01 — 95 — Sequential number  
Year of manufacture — 06 — 50 — 04

**12 Characters :** 924 2 3 134 0115

Product reference — 924 — 2 — 3 — Sequential number  
Year of manufacture — 13 — 4 — 01 — 15 — Manufacturing day

**15 ou 16 Characters :** (0)03 070 0001 893077 (from 01/97 to 01/05)

Year of manufacture — (0)03 — 070 — Product reference  
Day of manufacture — 0001 — 893077 — Sequential number

**OU**

**16 Characters :** 05 070 0001 0000000 (from 02/05)

Year of manufacture — 05 — 070 — Product reference  
Day of manufacture — 0001 — 0000000 — Sequential number

**17 Characters :** 07 070 00315 3070107

Year of manufacture — 07 — 070 — Product reference  
Sequential number  
Manufacturing day (70)

**21 Characters :** 3000115 XX 08115 0000001

Product reference — 3000115 — XX — Sequential number  
Year (08) / Manufacturing day (115)

**22 Characters :** 3000115 XX 070416 0000001

Product reference — 3000115 — XX — Sequential number  
Year (07) / Month (04) / Manufacturing day (16)