



ARISTON



Chaffoteaux

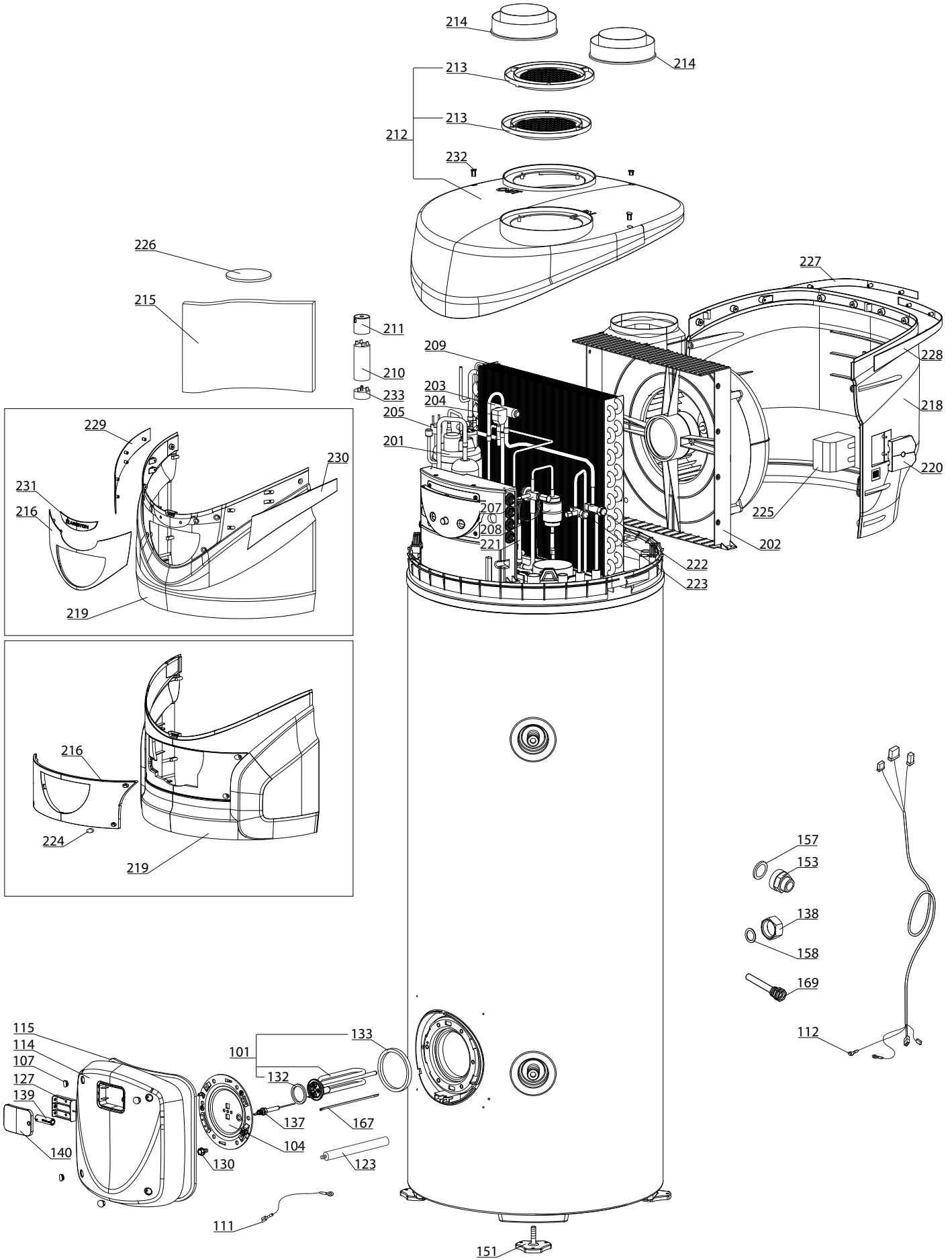
SPARE PARTS EXPLODED VIEW HEAT PUMPS

Model

NUOS PRIMO / AQUANEXT FACILE

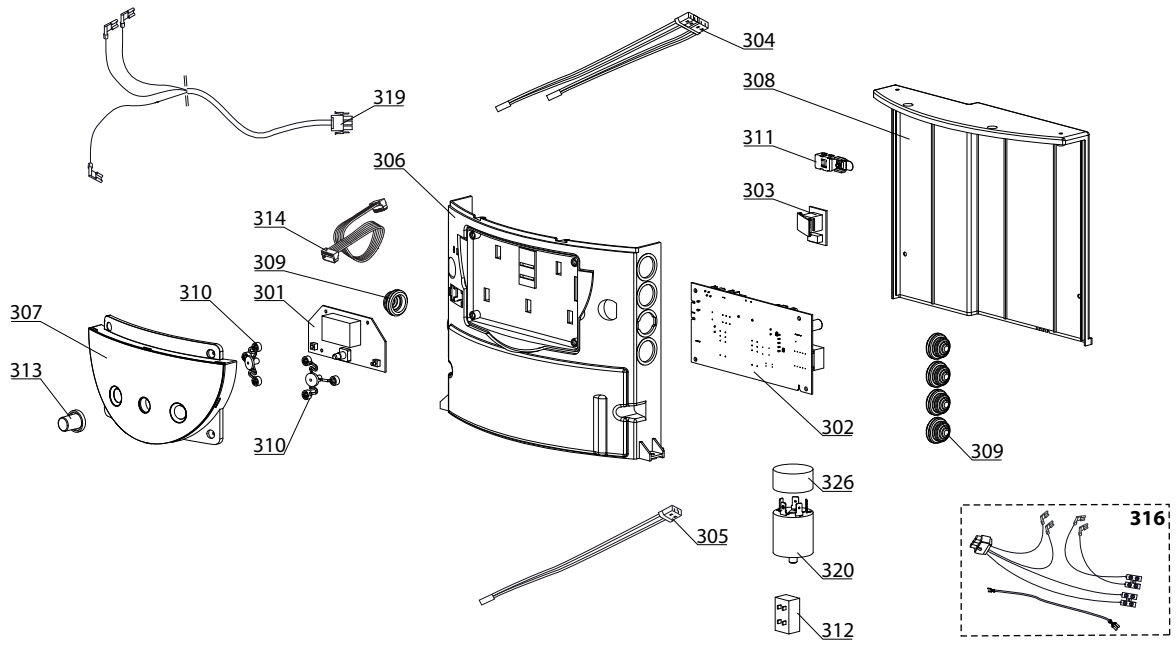
R8203404-12 - 10/09/2020

1	3069428	NUOS PRIMO 200	01-2014	07-2015
1	3079008	NUOS PRIMO 200	03-2015	09-2018
2	3069429	NUOS PRIMO 240	01-2014	09-2015
2	3069430	NUOS PRIMO 240 SYS	01-2014	09-2015
2	3079009	NUOS PRIMO 240	03-2015	09-2018
2	3079010	NUOS PRIMO 240 SYS	04-2015	09-2018
3	3069653	NUOS PRIMO 200 HC	04-2018	-
4	3069654	NUOS PRIMO 240 HC	04-2018	-
4	3069655	NUOS PRIMO 240 SYS HC	04-2018	-
5	3079068	AQUANEXT FACILE 200	01-2015	03-2018
6	3079069	AQUANEXT FACILE 240	01-2015	03-2018
6	3079070	AQUANEXT FACILE 240 SYS	01-2015	03-2018
7	3069656	AQUANEXT PERFORMANCE 200	06-2018	-
8	3069657	AQUANEXT PERFORMANCE 240	06-2018	-
8	3069658	AQUANEXT PERFORMANCE 240 SYS	06-2018	-
Col	Reference	Model type	Begin	End



☉➔	Description	Manf. Pt. N	Type	<div style="display: flex; justify-content: space-between; align-items: center;"> <div style="writing-mode: vertical-rl; transform: rotate(180deg); font-size: 8px;"> NUOS PRIMO 200 NUOS PRIMO 240 NUOS PRIMO 200 HC AQUANEXT 240 HC AQUANEXT FACILE 200 AQUANEXT PERFO 200 AQUANEXT PERFO 240 </div> <div style="border: 1px solid black; padding: 2px; font-weight: bold; font-size: 12px;">31</div> </div>																		From	to
				1	2	3	4	5	6	7	8	9	10	11	12	13	14	15	16	17	18		
0100	HOT WATER TANK																						
0101	IMMERSION HEATER 2000W	60002199		●	●	●	●	●	●														
0104	MATING FLANGE	60002200		●	●	●	●	●	●														
	MATING FLANGE	60002275	SYS		●		●		●														
0107	SCREW COVER	65152269		●	●	●	●	●	●	●													
0111	EARTH WIRE	60002273		●	●	●	●	●	●														
0112	WIRING (IMMERSION HEATER-MAIN P.C.B.)	60002272			●		●		●														
	WIRING (IMMERSION HEATER-MAIN P.C.B.)	60002274		●		●		●		●													
0114	COVER	65152259						●	●	●													
	COVER	65152334		●	●	●	●																
0115	GASKET	65152326		●	●	●	●	●	●	●													
0123	ANODE D:21,3 L:290 M5	65117840		●	●	●	●	●	●	●													
0127	BATTERY HOLDER	65152270		●	●	●	●	●	●	●													
0130	SCREW M8X14 (6 PCES)	60000681		●	●	●	●	●	●	●													
0132	GASKET	65119621		●	●	●	●	●	●	●													
0133	FLANGE GASKET	60003285		●	●	●	●	●	●	●													
0137	ANODE (PROTECH)	65109749		●	●	●	●	●	●	●													
0138	PLUG	61013305	SYS		●		●		●														
0139	BATTERY AA	60000443		●	●	●	●	●	●	●													
0140	BATTERY COVER	65152271		●	●	●	●	●	●	●													
0151	ADJUSTABLE FOOT M10	65152260		●	●	●	●	●	●	●													
0153	DIELECTRIC JOINT 3/4"	65118634		●	●	●	●	●	●	●													
0157	GASKET D: 25,1 - 15,1 - 3 (3/4)	65105908		●	●	●	●	●	●	●													
0158	SHEET GASKET D: 24-16-1.5	61019058	SYS		●		●		●														
0167	SENSOR	65102543		●	●	●	●	●	●	●													
0169	SHEATH 1/2	12022436	SYS		●		●		●														
0200	REFRIGERATION UNIT																						
0201	COMPRESSOR	65151422		●	●	●	●	●	●	●													
0202	FAN ASSY	65152261		●	●	●	●	●	●	●													
0203	4-WAY VALVE	60001846		●	●	●	●	●	●	●													
0204	4-WAY VALVE COIL	60001847		●	●	●	●	●	●	●													
0205	PRESSURE SWITCH	65153657				●	●			●	●												
	PRESSURE SWITCH WITH CABLE	65151795		●	●				●	●													
0207	THERMOSTATIC EXPANSION VALVE	65159685		●	●	●	●	●	●	●													
0208	FILTER DRYER	60001849		●	●	●	●	●	●	●													
0209	EVAPORATOR	65152267		●	●	●	●	●	●	●													
0210	COMPRESSOR CAPACITOR	65152333		●	●	●	●	●	●	●													
0211	CAPACITOR COVER	65151959		●	●	●	●	●	●	●													
0212	TOP COVER	65152335		●	●	●	●	●	●	●													
0213	DUCTS ADAPTER WITH GRID	65151786		●	●	●	●	●	●	●													
0214	WIND CONNECTING PIPE	65151817		●	●	●	●	●	●	●													
0215	SOUNDPROOFING COAT	65152327		●	●	●	●	●	●	●													
0216	FRAME	65151811		●	●	●	●																
	FRAME	65152263							●	●	●												
0218	BACK CASING COVER	65152336		●	●	●	●	●	●	●													
0219	TOP CASING FRONT	65152337		●	●	●	●																
	TOP CASING FRONT	65152843							●	●	●												
0220	CONNECTING TERMINAL COVER	65152343		●	●	●	●	●	●	●													
0221	NON-RETURN VALVE	65152318		●	●	●	●	●	●	●													
0222	TWO-WAY SERVICE TAP	65152316		●	●	●	●	●	●	●													
0223	THREE-WAY SERVICE TAP	65152317		●	●	●	●	●	●	●													
0224	SCREW COVER	65152323							●	●	●												
0225	CONNECTING TERMINAL	65152342		●	●	●	●	●	●	●													
0226	SOUNDPROOFING COAT	65152319		●	●	●	●	●	●	●													
0227	LEFT TRIM	65151814		●	●	●	●																
	LEFT TRIM	65152841							●	●	●												
0228	RIGHT TRIM	65151815		●	●	●	●																
	RIGHT TRIM	65152840							●	●	●												
0229	LEFT TRIM	65151812		●	●	●	●																
0230	RIGHT TRIM	65151813		●	●	●	●																
0231	LOGO	65151810		●	●	●	●																
0232	SCREW COVER	65152339		●	●	●	●	●	●	●													
0233	OVERHEAT THERMOSTAT	60002300		●	●	●	●	●	●	●													

300



5000

5030
Options
Accessories
Opzioni
Accessorio

LIST OF THE ABBREVIATIONS

HW	: Hot water.
CW	: Cold water.
C	: Ceramic resistance (normal heating).
Ca	: Ceramic resistance (accelerated heating)
TP	: Immersion heater.
1F	: With fittings.
2F	: Without fittings.
3F	: With fittings and another outlet connection.
AMI	: With mixing valve.
SMI	: Without mixing valve.
PUISS	: Power of th appliance.
PN	: Appliance with normal pression.
LP	: Appliance with low pression.
PV	: Appliance with variable power.
PF	: Appliance with fixed power.

IDENTIFICATION PLATE

SERIAL NUMBER

9 Characters : 07 91 00301 (from 01/77 to 12/92)

Month of manufacture 07 91 Sequential number 00301
Year of manufacture 00

10 Characters : 95 01 065004 (from 01/93 to 06/95)

Year of manufacture 95 01 Sequential number 065004
Month of manufacture 00

OU

10 Characters : 01 95 065004 (from 07/95)

Month of manufacture 01 95 Sequential number 065004
Year of manufacture 00

12 Characters : 924 2 3 134 0115

Product reference 924 2 3 Sequential number 134
Year of manufacture 01 15 Manufacturing day 0115

15 ou 16 Characters : (0)03 070 0001 893077 (from 01/97 to 01/05)

Year of manufacture (0)03 070 Product reference 893077
Day of manufacture 0001 Sequential number 00000001

OU

16 Characters : 05 070 0001 0000000 (from 02/05)

Year of manufacture 05 070 Product reference 0001
Day of manufacture 0000000 Sequential number 0000000

17 Characters : 07 070 00315 3070107

Year of manufacture 07 070 Product reference 00315
Sequential number 3070107
Manufacturing day (70)

21 Characters : 3000115 XX 08115 0000001

Product reference 3000115 XX Sequential number 08115
Year (08) / Manufacturing day (115)

22 Characters : 3000115 XX 070416 0000001

Product reference 3000115 XX Sequential number 070416
Year (07) / Month (04) / Manufacturing day (16)