



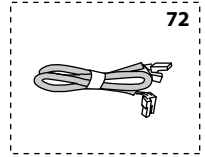
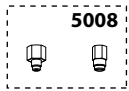
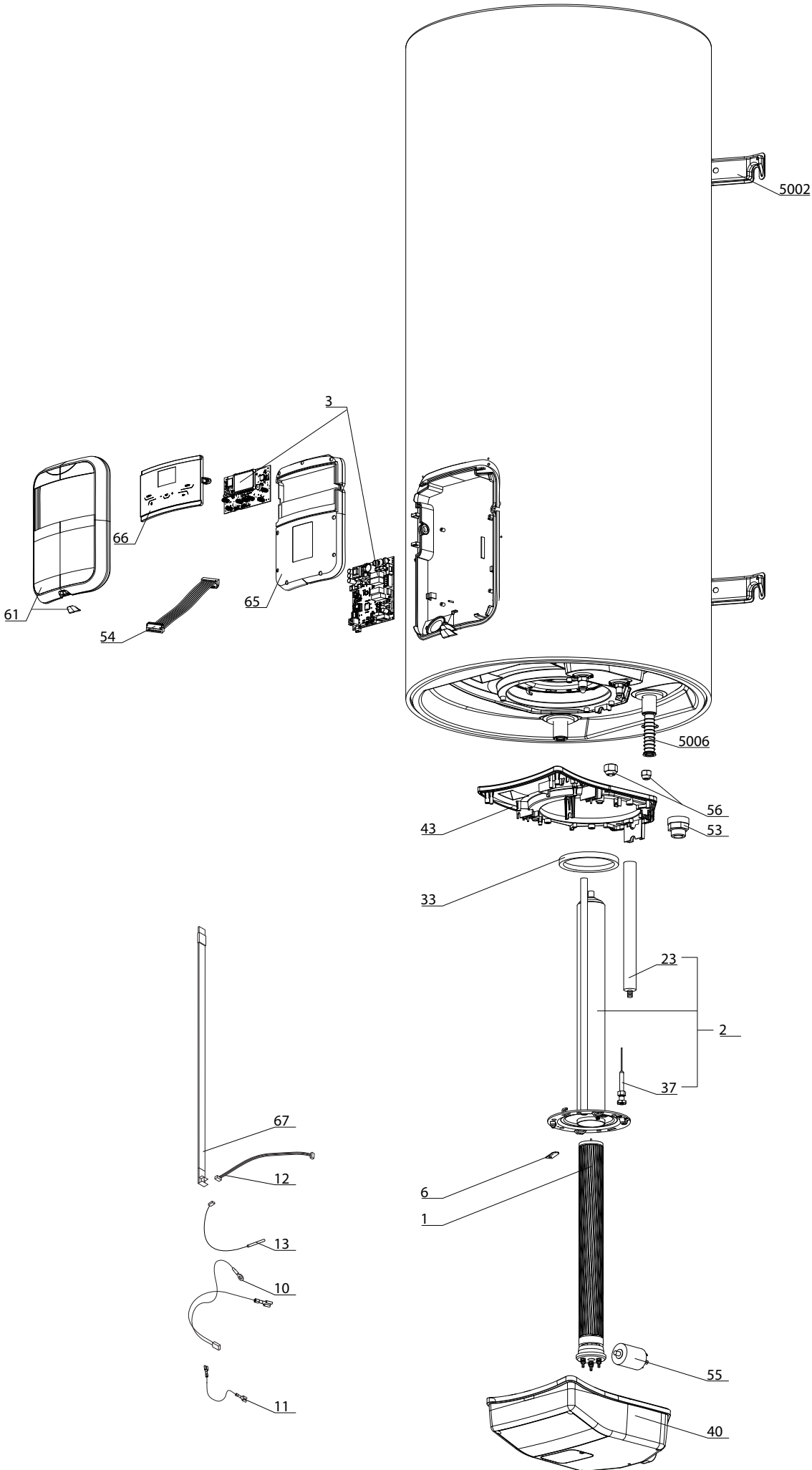
SPARE PARTS EXPLODED VIEW HEAT PUMPS

Model

NUOS/AQUANEXT SPLIT INV TANK WH

R8218402-02 - 26/10/2020

1	3069749	NUOS SPLIT INVERTER TANK 150 WH	07-2019	-
1	3069750	NUOS SPLIT INVERTER TANK 200 WH	07-2019	-
2	3069752	AQUANEXT SPLIT INV TANK 150 WH	07-2019	-
2	3069753	AQUANEXT SPLIT INV TANK 200 WH	07-2019	-
Col	Reference	Model type	Begin	End



☉	Description	Manf. Pt. N	Type	NUOS AQUANEXT																		From	to		
				1	2	3	4	5	6	7	8	9	10	11	12	13	14	15	16	17	18				
0001	CERAMIC RESISTANCE 1000+1500W	60001714		•	•																				
0002	FLANGE WITH ANODES	60003284		•	•																				
0003	P.C.B. (MAIN+DISPLAY)	60003362		•	•																				
	P.C.B. (MAIN+DISPLAY)	60003363		•	•																				
0006	FIXING BRACKET	60072531		•	•																				
0010	WIRING (PROTECH ANODE)	60003255		•	•																				
0011	EARTH CABLE (P.C.B.)	60003256		•	•																				
0012	CABLE THERMISTOR TEMPERATURE SENSOR	60003260		•	•																				
0013	TEMPERATURE PROBE	60003261		•	•																				
0023	ANODE D:25,5 L:180 M5-M8	977127-01		•	•																				
0033	FLANGE GASKET	60003285		•	•																				
0037	ANODE (PROTECH)	65111197		•	•																				
0040	BOX COVER	60001713		•	•																				
0043	BASE - BOX	60001712		•	•																				
0053	DIELECTRIC JOINT 3/4	60003265		•	•																				
0054	DISPLAY WIRING	60003266		•	•																				
0055	ANTI-JAMMING FILTER	65110089		•	•																				
0056	NUTS KIT	60003370		•	•																				
0061	BOX COVER	60003267		•	•																				
	BOX COVER	60003268		•	•																				
0065	PROTECTION	60003271		•	•																				
0066	TRIM	60003262		•	•																				
	TRIM	60003263		•	•																				
0067	THERMISTOR TEMP. SENSOR	60000446		•	•																				
0072	CABLE (E-BUS)	60003277		•	•																				
	EARTH CABLE (FILTER)	60003275		•	•																				
	EARTH CABLE (FLANGE)	60003276		•	•																				
	WIRING (ELEMENT)	60003272		•	•																				
	WIRING (P.C.B. - SG1, SG2)	60003273		•	•																				
	WIRING POWER	60003274		•	•																				
5000	ACCESSORIES																								
5002	WALL FIXING BRACKET D:470-505-560-570	912006		•	•																				
5006	INSERT (PLASTIC) 3/4	60001255		•	•																				
5008	FITTINGS FOR GAS CONNECTIONS	65116482		•	•																				

LIST OF THE ABBREVIATIONS

HW	: Hot water.
CW	: Cold water.
C	: Ceramic resistance (normal heating).
Ca	: Ceramic resistance (accelerated heating)
TP	: Immersion heater.
1F	: With fittings.
2F	: Without fittings.
3F	: With fittings and another outlet connection.
AMI	: With mixing valve.
SMI	: Without mixing valve.
PUISS	: Power of th appliance.
PN	: Appliance with normal pression.
LP	: Appliance with low pression.
PV	: Appliance with variable power.
PF	: Appliance with fixed power.

IDENTIFICATION PLATE

SERIAL NUMBER

9 Characters : 07 91 00301 (from 01/77 to 12/92)

Month of manufacture _____ Sequential number
Year of manufacture _____

10 Characters : 95 01 065004 (from 01/93 to 06/95)

Year of manufacture _____ Sequential number
Month of manufacture _____

OU

10 Characters : 01 95 065004 (from 07/95)

Month of manufacture _____ Sequential number
Year of manufacture _____

12 Characters : 924 2 3 134 0115

Product reference _____ Sequential number
Year of manufacture _____ Manufacturing day

15 ou 16 Characters : (0)03 070 0001 893077 (from 01/97 to 01/05)

Year of manufacture _____ Product reference
Day of manufacture _____ Sequential number

OU

16 Characters : 05 070 0001 0000000 (from 02/05)

Year of manufacture _____ Product reference
Day of manufacture _____ Sequential number

17 Characters : 07 070 00315 3070107

Year of manufacture _____ Product reference
Sequential number
Manufacturing day (70)

21 Characters : 3000115 XX 08115 0000001

Product reference _____ Sequential number
Year (08) / Manufacturing day (115)

22 Characters : 3000115 XX 070416 0000001

Product reference _____ Sequential number
Year (07) / Month (04) / Manufacturing day (16)