



ARISTON

SPARE PARTS EXPLODED VIEW GAS-WALL CONDENSING BOILERS

Model

CLAS ONE FR

R8218593-03 - 25/05/2021

CLAS ONE FR

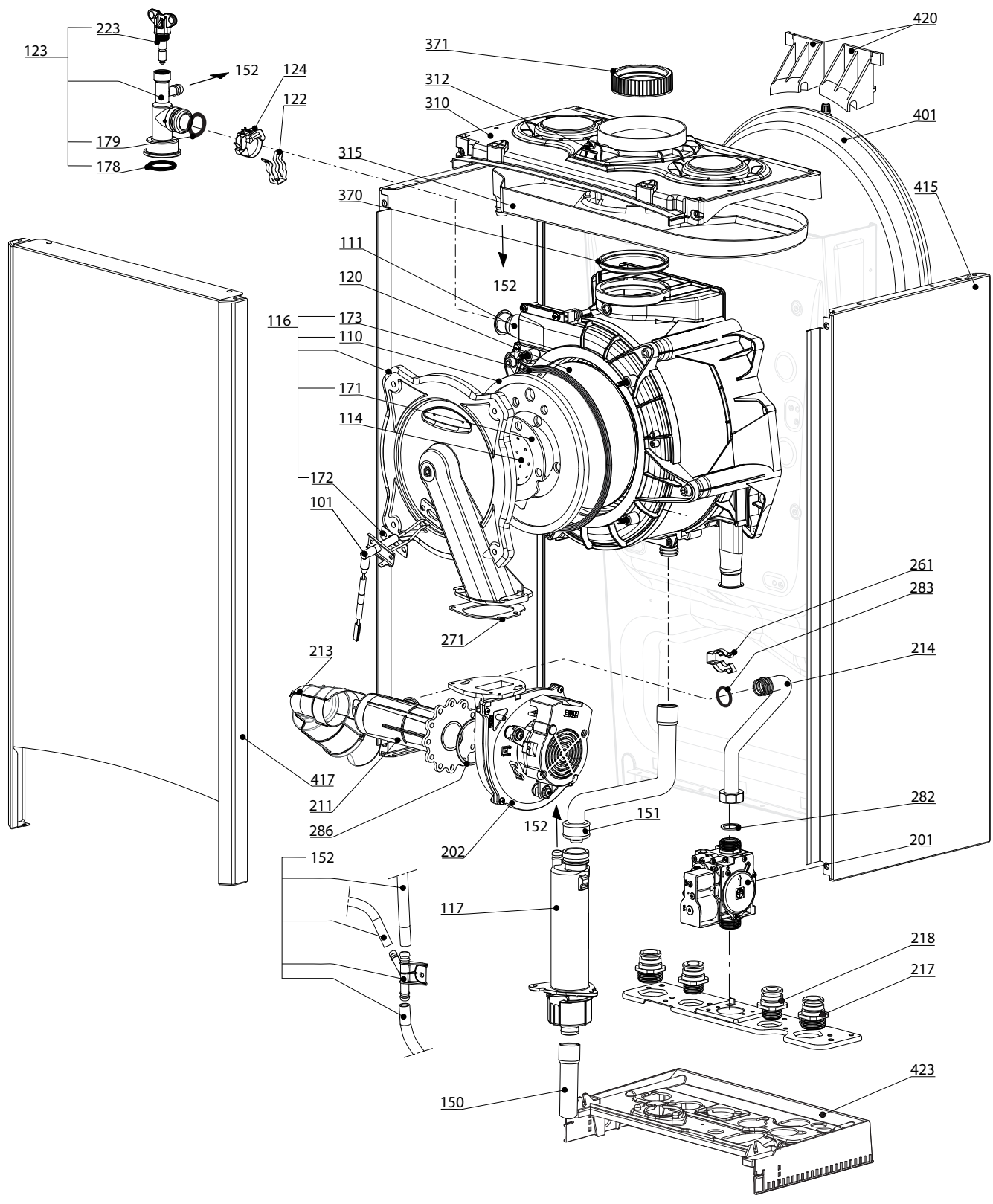
Gas-wall condensing boilers

1	3301607	CLAS ONE SYSTEM 12 FR	06-2021	-
2	3301608	CLAS ONE SYSTEM 25 FR	10-2020	-
3	3301604	CLAS ONE 25 FR	10-2020	-
4	3301605	CLAS ONE 30 FR	10-2020	-
5	3301609	CLAS ONE SYSTEM 35 FR	10-2020	-
6	3301606	CLAS ONE 35 FR	10-2020	-
Col	Reference	Model type	Begin	End

100
200
300
400

CLAS ONE FR

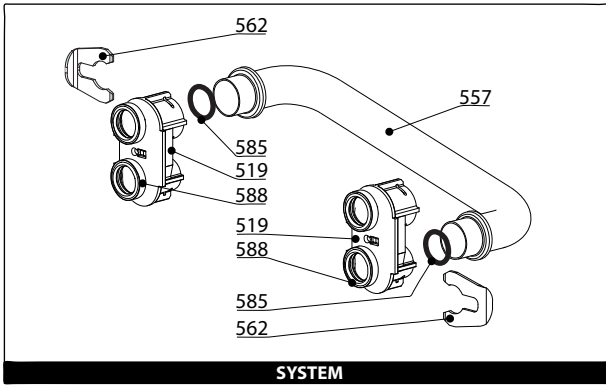
Gas-wall condensing boilers



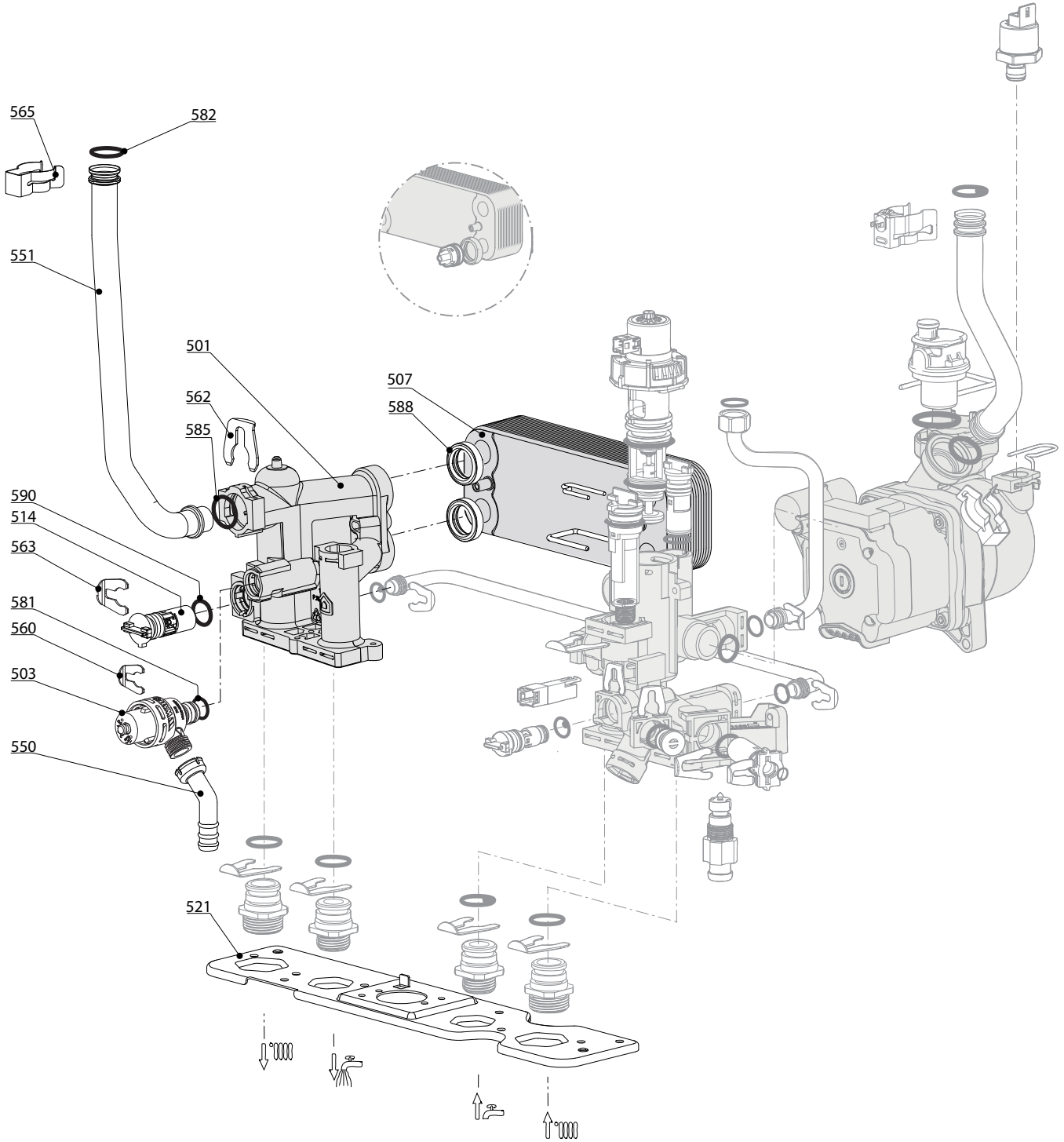
☐→	Description	Manf. Pt. N	Type	<div style="display: flex; justify-content: space-between;"> CLAS ONE-SYSTEM 12 CLAS ONE-SYSTEM 25 CLAS ONE 25 CLAS ONE 30 CLAS ONE SYSTEM 35 CLAS ONE 35 </div>																		From	to
				1	2	3	4	5	6	7	8	9	10	11	12	13	14	15	16	17	18		
0100	BURNER ASSEMBLY																						
0101	IGNITION AND DETECTION ELECTRODE	65116556-01		●	●	●	●	●	●														
0110	INSULATION (FRONT PANEL)	65116512		●	●	●	●	●	●														
0111	EXCHANGER 24KW	65116695-01		●	●	●																	
	EXCHANGER 30KW	65116696-01						●															
	EXCHANGER 35KW	65116697-01							●	●													
0114	BURNER 24KW	65116596		●	●	●																	
	BURNER 30kW	65116603						●															
	BURNER 35KW	65116604								●	●												
0116	DOOR ASSY	65116515		●	●	●	●	●	●														
0117	CONDENSATE TRAP	65117391		●	●	●	●	●	●														
0120	PANEL (INSULATION - REAR)	65116047		●	●	●	●	●	●														
0122	CLIP	65116517		●	●	●	●	●	●														
0123	AIR VENT	65120091		●	●	●	●	●	●														
0124	TEMPERATURE PROBE + CLIP	990686-01		●	●	●	●	●	●														
0150	CONDENSATE DRAIN HOSE D:19 L:500	60000976		●	●	●	●	●	●														
	PLASTIC PIPE CONDENSATE DRAIN	65117092		●	●	●	●	●	●														
0151	FLEXIBLE PIPE	65116519		●	●	●	●	●	●														
0152	CONNECTION Y +TUBES	65117078-01		●	●	●	●	●	●														
0171	GASKET (BURNER)	65116521		●	●	●	●	●	●														
0172	GASKET (ELECTRODE)	64980262		●	●	●	●	●	●														
0173	DOOR GASKET	60000623		●	●	●	●	●	●														
0178	O-RING 17.86X2.62	61308091		●	●	●	●	●	●														
0179	O-RING 18X2,8	65116846		●	●	●	●	●	●														
0200	GAS SECTION																						
0201	GAS VALVE SIT	60002799-01		●	●	●	●	●	●														
0202	FAN	65116558-01		●	●	●	●	●	●														
0211	MIXER	65120767		●																			
	VENTURI 24 KW NG	65116597			●	●																	
	VENTURI 30 KW NG	65116605						●															
	VENTURI 35 KW NG	65116606								●	●												
0213	SILENCER	65116598		●	●	●	●	●	●														
0214	GAS PIPE 24KW	65116599			●	●																	
	GAS PIPE 24KW	65116689		●																			
	GAS PIPE 30KW	65116607						●															
	GAS PIPE 35KW	65116608								●	●												
0217	CH ADAPTER (3/4")	65114929		●	●	●	●	●	●														
0218	DHW ADAPTER (1/2")	65114930		●	●	●	●	●	●														
0223	DRAIN SCREW	65116528		●	●	●	●	●	●														
0261	CLIP	60000309		●	●	●	●	●	●														
0271	FAN GASKET	65116530		●	●	●	●	●	●														
0282	SHEET GASKET D: 24-18.2-1.5	60022835-01		●	●	●	●	●	●														
0283	O-RING 17,86X2,62	60002766		●	●	●	●	●	●														
0286	O-RING 165 NBR 70 Sh 61.91x3,53	60001878		●	●	●	●	●	●														
0300	FAN ASSEMBLY																						
0310	CASE COVER ASSY	65116531		●	●				●														
	CASE COVER ASSY	65116564				●	●		●														
0312	FLUE TEST PORT PLUG	65104295		●	●	●	●	●	●														
0315	SPLASH PREVENTER	65119783		●	●	●	●	●	●														
0370	SEALING RING 80MM	60002815-01		●	●	●	●	●	●														
0371	GASKET	60000316		●	●	●	●	●	●														
0400	SEALED CASE																						
0401	EXPANSION VESSEL 8L	65104261		●	●	●	●	●	●														
0415	SIDE PANELS LEFT + RIGHT	65117304		●	●	●																	
	SIDE PANELS LEFT + RIGHT	65117306						●	●	●													
0417	CASE PANEL (FRONT)	65116568		●	●	●	●	●	●														
0420	EXPANSION VESSEL SUPPORT 8L	65116534		●	●	●	●	●	●														
0423	PLATE WIRE BOX 18-24 KW	65119742-01		●	●	●																	
	PLATE WIRE BOX 30-35 KW	65119743-01						●	●	●													

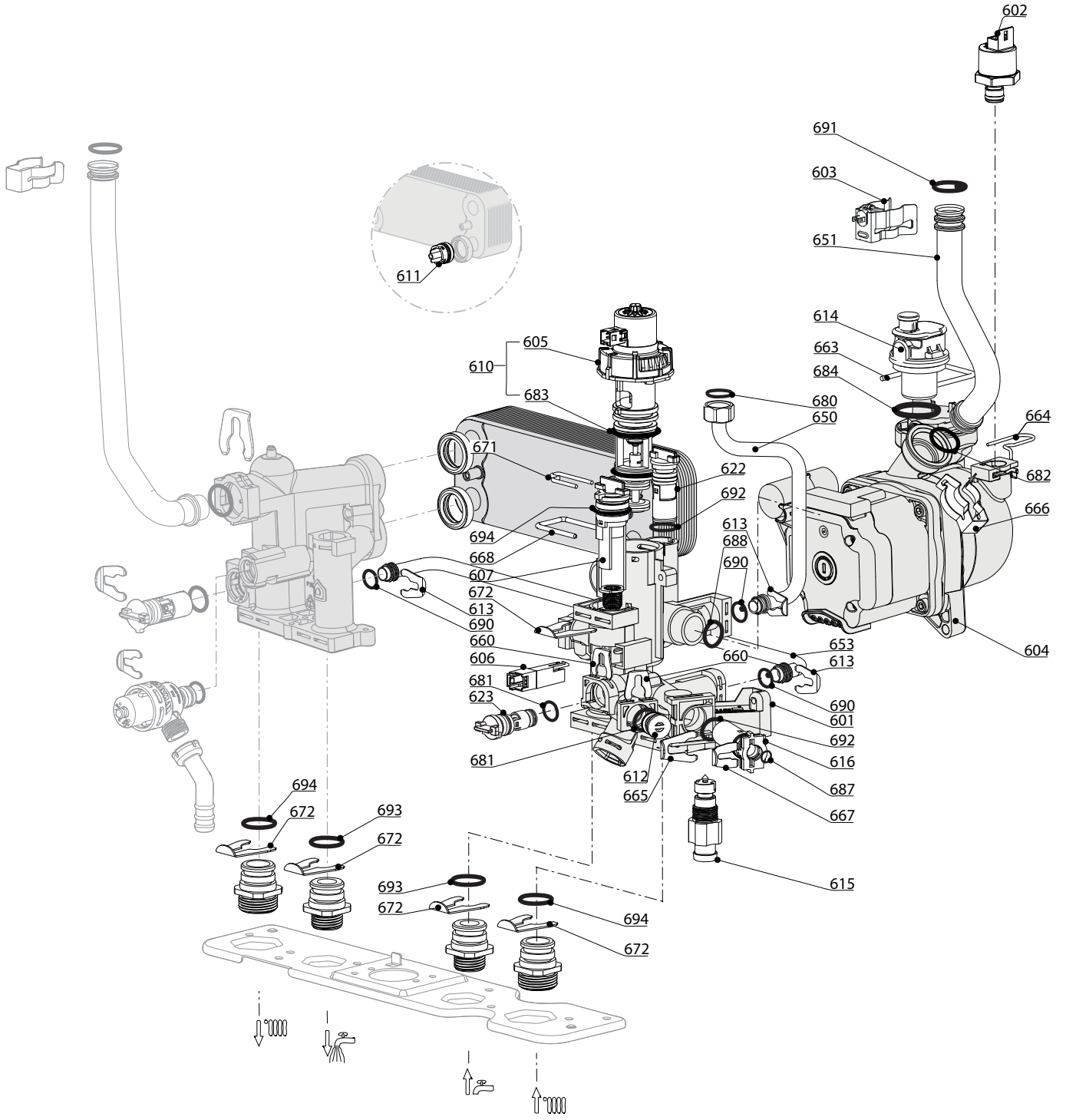
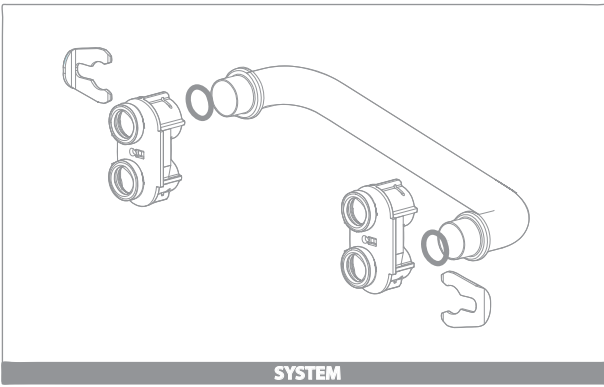
CLAS ONE FR

Gas-wall condensing boilers



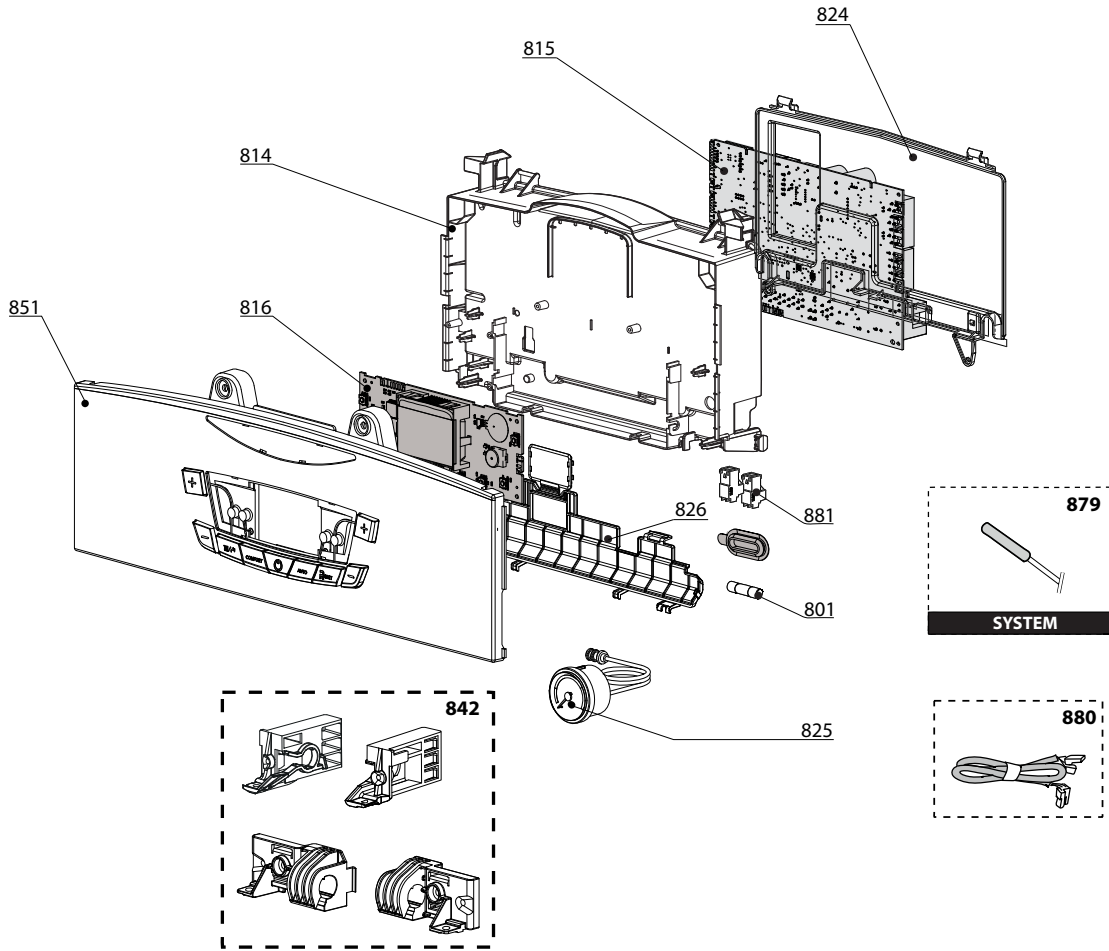
SYSTEM





☰	Description	Manf. Pt. N	Type	<div style="float: right; border: 1px solid black; padding: 2px;"> 31 </div>																	
				1	2	3	4	5	6	7	8	9	10	11	12	13	14	15	16	17	18

0600 RETURN GROUP				1	2	3	4	5	6	7	8	9	10	11	12	13	14	15	16	17	18	From	to
0601	RETURN GROUP	65117308		●	●			●															
	RETURN GROUP	65117954				●	●		●														
0602	PRESSURE SWITCH (PROPORTIONAL)	65115793		●	●	●	●	●	●														
0603	TEMPERATURE PROBE + CLIP	990686-01		●	●	●	●	●	●														
0604	PUMP 5M PWM TACO	65116908-03	TACO	●	●	●	●	●	●														
0605	MOTOR (3-WAY VALVE)	65114936		●	●	●	●	●	●														
0606	SENSOR (REED)	65114921-01				●	●		●														
0607	FLOW METER CAP	65114919		●	●	●	●	●	●														
0610	MOTOR + SPRING 3 WAY VALVE KIT	65114924		●	●	●	●	●	●														
0611	RIDUCTORS (KIT)	65116836				●	●		●														
0612	PLUG	65114920		●	●	●	●	●	●														
0613	CLIP D:10	65104260		●	●	●	●	●	●														
0614	AUTO AIR VENT TACO ENER+	65112086	TACO	●	●	●	●	●	●														
0615	DRAIN COCK	65114922		●	●	●	●	●	●														
0616	WATER FILTER	65114923		●	●	●	●	●	●														
0622	BY-PASS	65114917		●	●	●	●	●	●														
0623	CHECK VALVE CARTRIDGE	65114918-01		●	●	●	●	●	●														
0650	PIPE (EXPANSION VESSEL)	65116542		●	●	●	●	●	●														
0651	PIPE (C.H. RETURN)	65116543		●	●	●	●	●	●														
0653	BY-PASS PIPE	65116210		●	●			●															
0660	CLIP D:10	65114933		●	●	●	●	●	●														
0663	U-CLIP	65104704		●	●	●	●	●	●														
0664	CLIP	65104322		●	●	●	●	●	●														
0665	CLIP D:12	65114932		●	●	●	●	●	●														
0666	CLIP	60000309		●	●	●	●	●	●														
0667	CLIP D:6	65100680		●	●	●	●	●	●														
0668	CLIP	65114927		●	●	●	●	●	●														
0671	CLIP	65114926		●	●	●	●	●	●														
0672	CLIP D:19	65114931		●	●	●	●	●	●														
0680	GASKET 3/8	573521		●	●	●	●	●	●														
0681	O-RING 9.9X2.62	65114937		●	●	●	●	●	●														
0682	O-RING 17.04X3.53	65104262		●	●	●	●	●	●														
0683	O-RING 23.47X2.62	65114939		●	●	●	●	●	●														
0684	O-RING 3X35 EPDM 75 SH	65104705		●	●	●	●	●	●														
0687	O-RING 5.7X1.9	61009834-10		●	●	●	●	●	●														
0688	O-RING 21.89X2.62	65104320		●	●	●	●	●	●														
0690	O-RING 8.9X2.7	61009834-14		●	●	●	●	●	●														
0691	O-RING 17.86X2.62	61308091		●	●	●	●	●	●														
0692	O-RING 11.91X2.62	65114940		●	●	●	●	●	●														
0693	O-RING 15,88X2,62	65114941		●	●	●	●	●	●														
0694	O-RING 17.13X2.62	65114938		●	●	●	●	●	●														



5000

- 5001**
- Gas conv. LPG G30/G31
 - Transf. gaz GPL G30/G31
 - Trasf. gas GPL G30/G31
 - Transf. gas GLP G30/G31
 - Flussiggas Umstellset
 - F-gas G30/G31
 - Ombouwset
 - LPG G30/G31

- 5002**
- Gas conv. NG G20
 - Transf. gaz GN G20
 - Trasf. gas MET G20
 - Transf. gas GN G20
 - Flussiggas Umstellset
 - E-gas G20
 - Ombouwset
 - A-gas G20

- 5003**
- Gas conv. G25/230
 - Transf. gaz G25/230
 - Trasf. gas G25/230
 - Transf. gas G25/230
 - Flussiggas Umstellset
 - G25/230
 - Ombouwset G25/230

- 5020**
- Accessories
 - Options
 - Opzioni
 - Accessorio
 - Zubehör
 - Opties

	Description	Manf. Pt. N	Type	<div style="text-align: center;"> CLAS ONE SYSTEM 12 CLAS ONE SYSTEM 25 CLAS ONE 25 CLAS ONE 30 CLAS ONE SYSTEM 35 CLAS ONE 35 </div>																		31	
				1	2	3	4	5	6	7	8	9	10	11	12	13	14	15	16	17	18	From	to
0800	ELECTRICAL BOX																						
0801	FUSE 5X20 RIT. 2 A 250V	65112137		●	●	●	●	●															
0814	CONTROL PANEL COVER (FRONT)	65119642		●	●	●	●	●															
0815	P.C.B. (MAIN)	65116585-05		●	●	●	●	●															
0816	P.C.B. (DISPLAY)	65115776-02		●	●	●	●	●															
0824	CONTROL PANEL COVER UPPER PART	65119737		●	●	●	●	●															
0825	PRESSURE GAUGE (0-4 BAR)	65114200		●	●	●	●	●															
0826	CONTROL PANEL COVER LOWER PART	65119736		●	●	●	●	●															
0842	CONTROL PANEL HINGE	65120444		●	●	●	●	●															
0851	CONTROL PANEL	65116587		●	●	●	●	●															
0879	BOILER THERMISTOR TEMP. SENSOR	60000454		●	●			●															
0880	3-WAY VALVE CABLE	65116589				●	●		●														
	3-WAY VALVE CABLE	65116614		●	●			●															
	CABLE (FAN)	65116579		●		●	●	●															
	DISPLAY WIRING - 5 WIRES BLUES	60000746		●	●	●	●	●															
	EARTH WIRE	65104286		●	●	●	●	●															
	EARTH WIRE	65116594		●	●	●	●	●															
	FEEDER 240V	60001619		●	●	●	●	●															
	GAS VALVE WIRING KIT	65119394		●	●	●	●	●															
	NTC CABLE	65116694		●	●	●	●	●															
	PUMP CABLE HE	65117069		●	●	●	●	●															
0881	CONNECTOR 2P	65111933		●	●	●	●	●															
	CONNECTOR 3P (x5)	65111934-01		●	●	●	●	●															
5000	ACCESSORIES																						
5001	BURNER JET FULL KIT LPG G30/G31 12-38KW	65117075		●	●	●	●	●															
5002	BURNER JET FULL KIT NG G20	65119422		●	●	●	●	●															
5003	BURNER JET FULL KIT NG G25/G230	65117179		●	●	●	●	●															
5020	RIDUCTORS (KIT)	65116836				●	●		●														

LIST OF THE ABBREVIATIONS

HW	: Hot water.
CW	: Cold water.
C	: Ceramic resistance (normal heating).
Ca	: Ceramic resistance (accelerated heating)
TP	: Immersion heater.
1F	: With fittings.
2F	: Without fittings.
3F	: With fittings and another outlet connection.
AMI	: With mixing valve.
SMI	: Without mixing valve.
PUISS	: Power of th appliance.
PN	: Appliance with normal pression.
LP	: Appliance with low pression.
PV	: Appliance with variable power.
PF	: Appliance with fixed power.

IDENTIFICATION PLATE

SERIAL NUMBER

10 Characters :	04 05 125 011		
		Sequential number	
		Manufacturing day	
		Year of manufacture	
11 Characters :	1 95 065004 - 31		
Month of manufacture :		Technical number of the appliance	
from 1 to 9 → Jan. to Sep.,		Sequential number	
O → Oct., N → Nov.,		Year of manufacture	
D → Dec.			
19 Characters :	08 05 0013199 900640031		
Year of manufacture		Product reference	
Month of manufacture		Sequential number	
20 Characters :	3675007 XX 2 07 070 00315		
Product reference		Sequential number	
Millenium of manufacture		Manufacturing day	
		Year of manufacture	
21 Characters :	3675007 XX 07 070 0000315		
Product reference		Sequential number	
Year of manufacture		Manufacturing day	