



ARISTON

# SPARE PARTS EXPLODED VIEW GAS WALL BOILERS

Model

## **GENUS BI/BFFI**

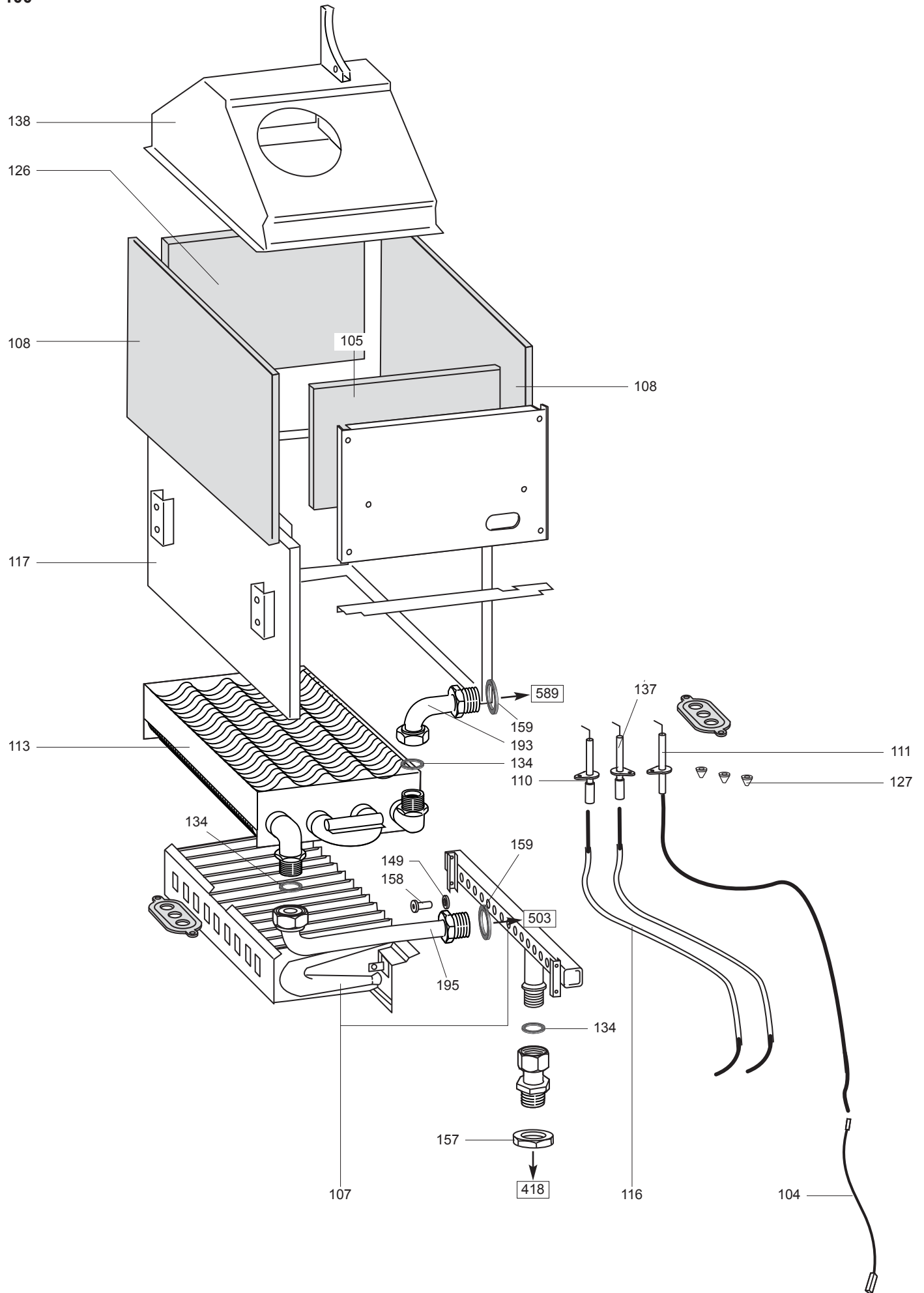
R8216555-02 - 30/04/2012

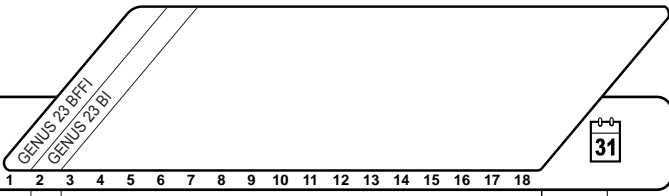
GENUS BI/BFFI

Domestic Gas Boilers

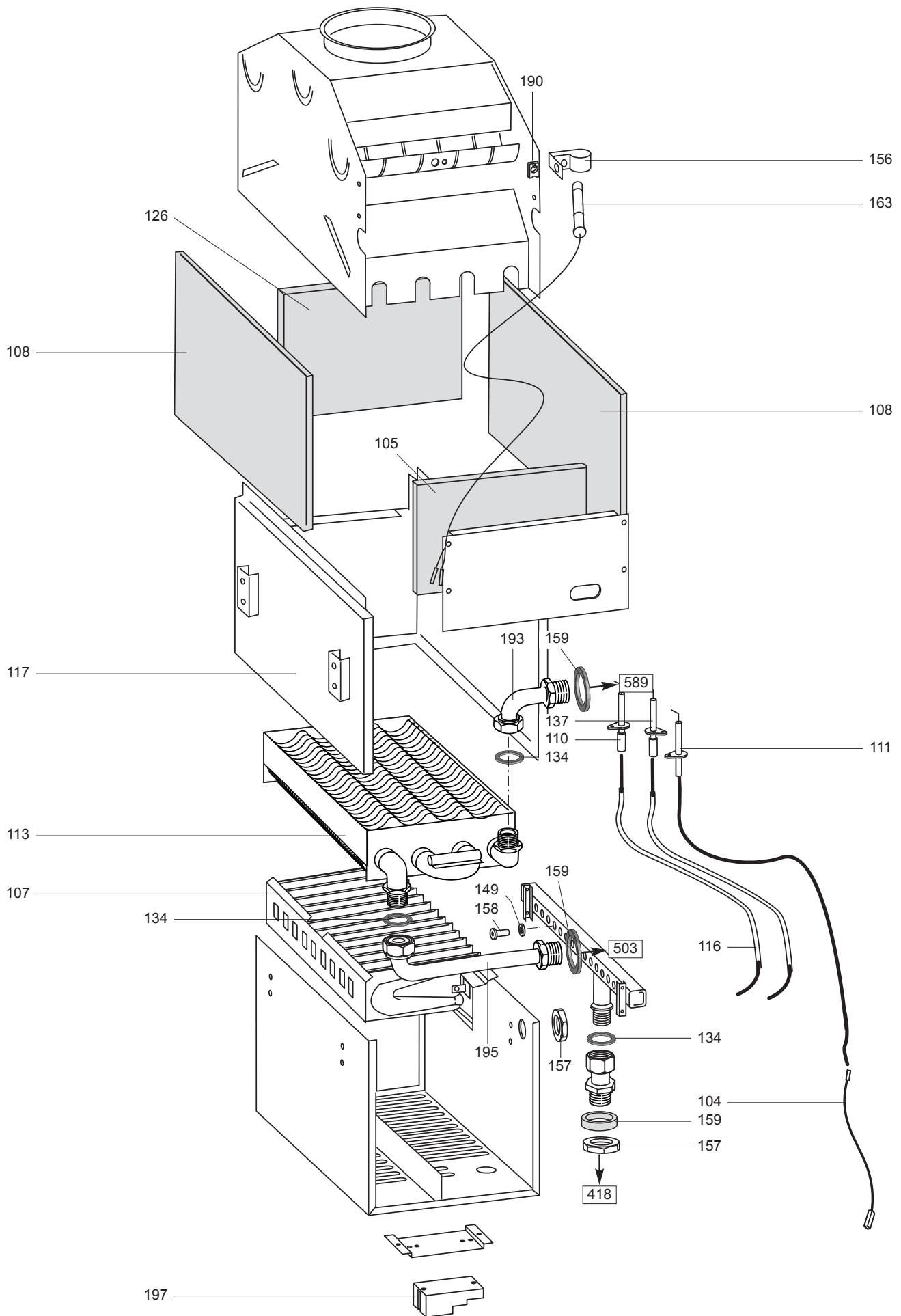
1	534644	GENUS 23 BFFI MET FR/B	07-1997	03-2005
1	534645	GENUS 23 BFFI GPL FR/B	07-1997	03-2005
2	534642	GENUS 23 BI MET FR/B	07-1997	03-2005
2	534643	GENUS 23 BI GPL FR/B	07-1997	03-2005

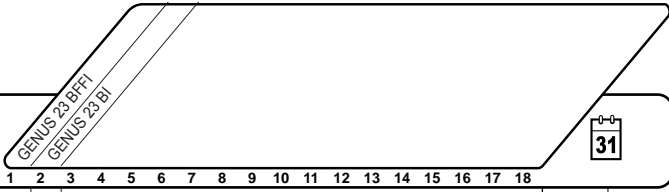
Col	Reference	Model type	Begin	End
-----	-----------	------------	-------	-----





☰	Description	Manf. Pt. N	Type	GENUS 23/BFFI GENUS 23 BI																	
				1	2	3	4	5	6	7	8	9	10	11	12	13	14	15	16	17	18
0100	<b>SEALED CASE</b>																				
0104	CABLE (DETECTION ELECTRODE/P.C.B.)	571657		•																	
0105	PANEL (INSULATION - FRONT)	998133		•																	
0107	BURNER 13 RAMP (LPG)	572992	LPG	•																	
	BURNER 13 RAMP (NATURAL GAS)	572991	NG	•																	
0108	PANEL (INSULATION - SIDE)	998137		•																	
0110	ELECTRODE (IGNITION L.H.)	569561		•																	
0111	ELECTRODE (DETECTION)	573441		•																	
0113	MAIN EXCHANGER	572415		•																	
0116	IGNITION ELECTRODE CABLE	569503		•																	
0117	COMBUSTION CHAMBER	573036		•																	
0126	PANEL (INSULATION - REAR)	998148		•																	
0127	CABLE HOLDER	573534		•																	
0134	GASKET 3/4	573520		•																	
0137	ELECTRODE (IGNITION R.H.)	569560		•																	
0149	BURNER JET WASHER	572138		•																	
0157	LOCK NUT (BRASS) 3/4	569446		•																	
0158	BURNER JET (L.P.G. 0.72)	570251	LPG	•																	
	BURNER JET (NG 1.25)	570248	NG	•																	
0159	GASKET 37X26X2	569413		•																	
0193	PIPE (FLOW - MAIN EXCHANGER)	570585		•																	
0195	PIPE (RETURN - MAIN EXCHANGER)	570584		•																	



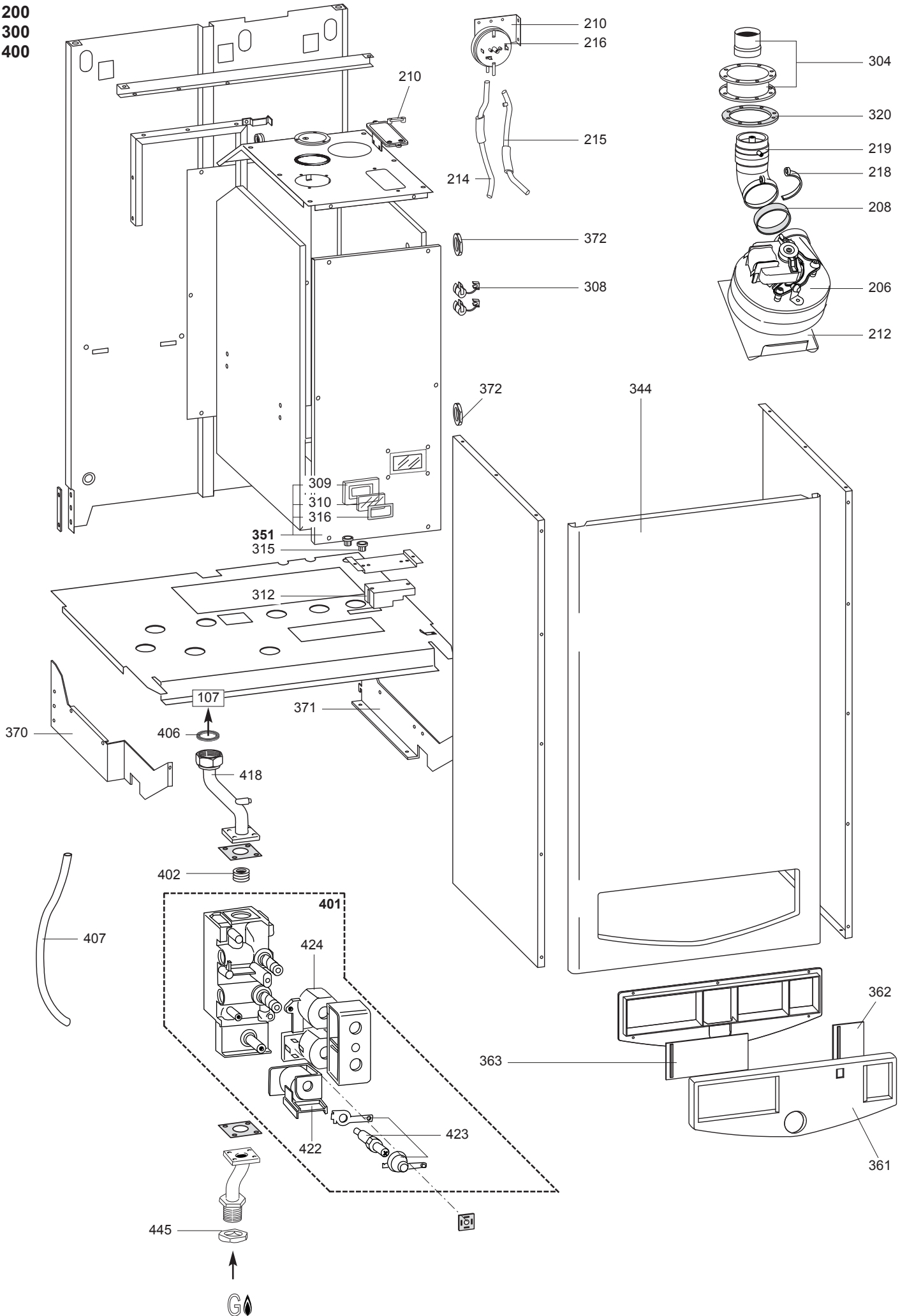


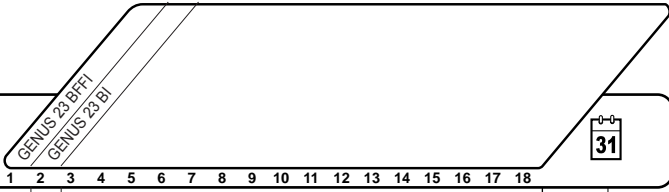
☉⇒	Description	Manf. Pt. N	Type	GENUS 23/BFFI GENUS 23 BI																	
				1	2	3	4	5	6	7	8	9	10	11	12	13	14	15	16	17	18
0100	SEALED CASE																				
0104	CABLE (DETECTION ELECTRODE/P.C.B.)	571657			●																
0105	PANEL (INSULATION - FRONT)	998133			●																
0107	BURNER 13 RAMP (LPG)	572992	LPG		●																
	BURNER 13 RAMP (NATURAL GAS)	572991	NG		●																
0108	PANEL (INSULATION - SIDE)	998137			●																
0110	ELECTRODE (IGNITION L.H.)	569561			●																
0111	ELECTRODE (DETECTION)	573441			●																
0113	MAIN EXCHANGER	572415			●																
0116	IGNITION ELECTRODE CABLE	569503			●																
0117	COMBUSTION CHAMBER	573036			●																
0126	PANEL (INSULATION - REAR)	998148			●																
0134	GASKET 3/4	573520			●																
0137	ELECTRODE (IGNITION R.H.)	569560			●																
0149	BURNER JET WASHER	572138			●																
0156	SPRING (FLUE CONTROL PROBE)	573349			●																
0157	LOCK NUT (BRASS) 3/4	569446			●																
0158	BURNER JET (L.P.G. 0.72)	570251	LPG		●																
	BURNER JET (NG 1.25)	570248	NG		●																
0159	GASKET 37X26X2	569413			●																
0163	FLUE CONTROL PROBE	995345			●																
0190	SPRING (FASTENING)	570717			●																
0193	PIPE (FLOW - MAIN EXCHANGER)	570585			●																
0195	PIPE (RETURN - MAIN EXCHANGER)	570584			●																
0197	SPARK GENERATOR	573023			●																

200  
300  
400

GENUS BI/BFFI

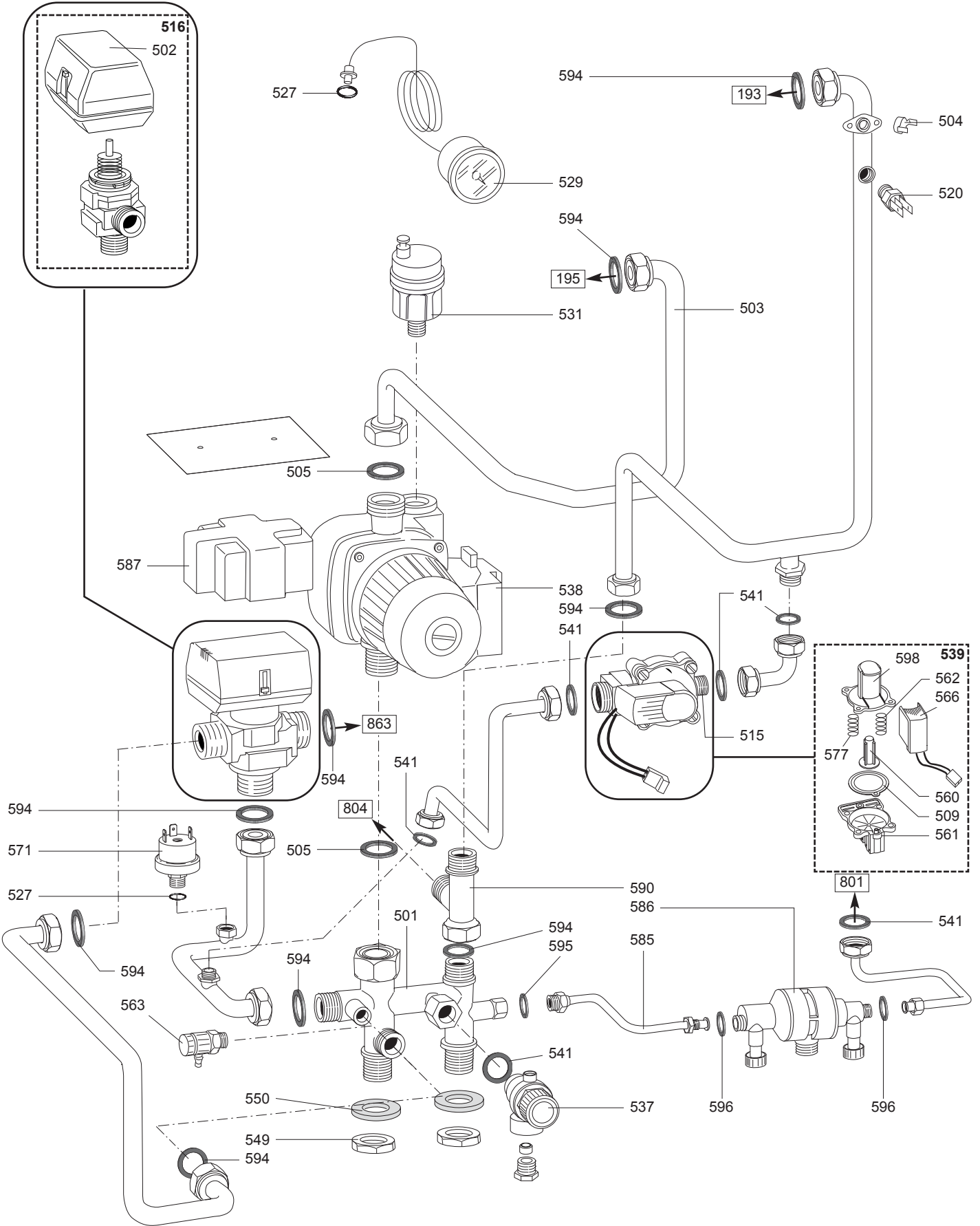
Domestic Gas Boilers



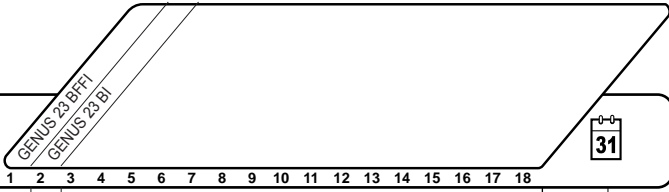


31

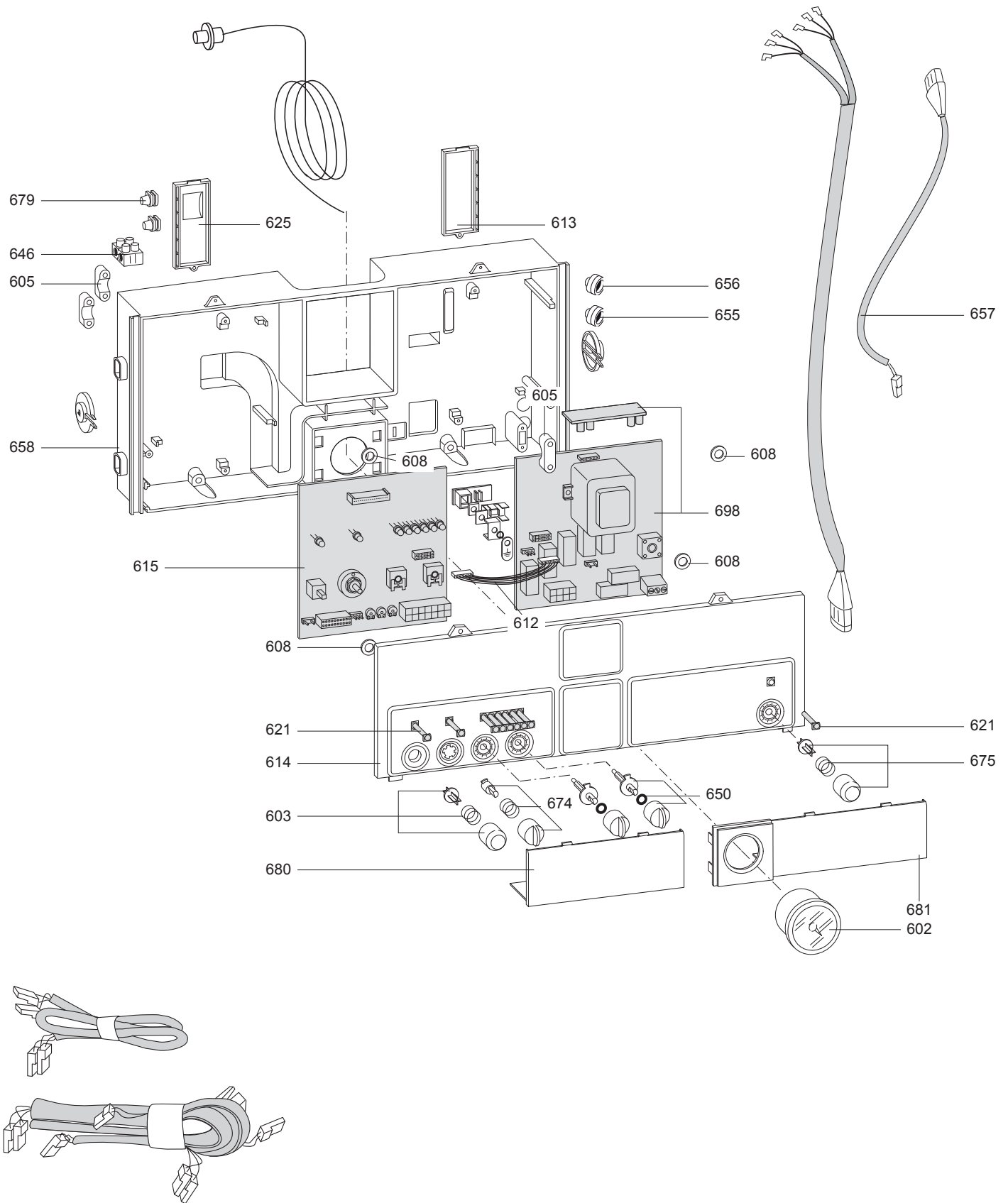
☉➔	Description	Manf. Pt. N	Type	GENUS 23 B/FFI GENUS 23 BI																	
				1	2	3	4	5	6	7	8	9	10	11	12	13	14	15	16	17	18
<b>0200</b>	<b>FAN ASSEMBLY</b>																				
0206	FAN	569431		•																	
0208	FAN SEAL (SILICONE)	573446		•																	
0210	AIR PRESSURE SWITCH BRACKET	571635		•																	
0212	FIXING PLATE (FAN)	573046		•																	
0214	COMPENSATION TUBE	573576		•																	
0215	SILICONE PIPE (NEGATIVE SIGNAL)	571819		•																	
0216	AIR PRESSURE SWITCH	571651		•																	
0218	COLLAR (VENTURI)	569434		•																	
0219	VENTURI	572382		•																	
<b>0300</b>	<b>CHASSIS-FRONT CASE</b>																				
0304	FLUE (COAXIAL TURRET)	571166		•																	
0308	CABLE CLAMP	570561		•																	
0309	SIGHT GLASS HOLDER	573566		•																	
0310	SIGHT GLASS	573567		•																	
0312	SPARK GENERATOR	573023		•																	
0315	CABLE HOLDER	570772		•	•																
0316	SIGHT GLASS - GASKET	569442		•																	
0320	GASKET NEOPRENE D:126-95 (4 trous D:5)	573447		•																	
0344	PANEL (COMPLETE FRONT CASE)	65101033		•	•																
0351	PANEL (FRONT - SEALED CHAMBER)	573114		•																	
0361	PLATE	572688			•																
0362	ON/OFF DOOR	571609			•																
	ON/OFF DOOR	572406		•																	
0363	REGULATION DOOR	571608			•																
	REGULATION DOOR	572405		•																	
0370	CONTROL PANEL BRACKET HOLDER (L/H)	573028		•	•																
0371	CONTROL PANEL BRACKET HOLDER (R/H)	573027		•	•																
0372	LOCK NUT (BRASS) 3/4	569446		•																	
<b>0400</b>	<b>GAS SECTION</b>																				
0401	GAS VALVE (TANDEM)	573457		•	•																
0402	VALVE GAS DIAPHRAGM	995329	NG	•	•																
0403	GASKET (GAS VALVE)	569254		•	•																
0406	GASKET 3/4	573520		•	•																
0407	COMPENSATION TUBE	573576		•																	
0418	PIPE (GAS VALVE/BURNER)	572988		•	•																
0422	MODUREG COIL (SIT 24V GAS VALVE)	573740		•	•																
0423	GAS MODULATOR CARTRIDGE	573745		•	•																
0424	OPERATOR COILS (SIT TANDEM)	570712		•	•																
0445	LOCK NUT 3/4	573523		•	•																

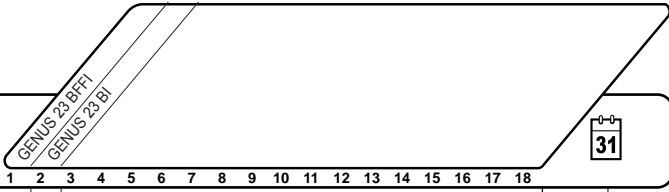




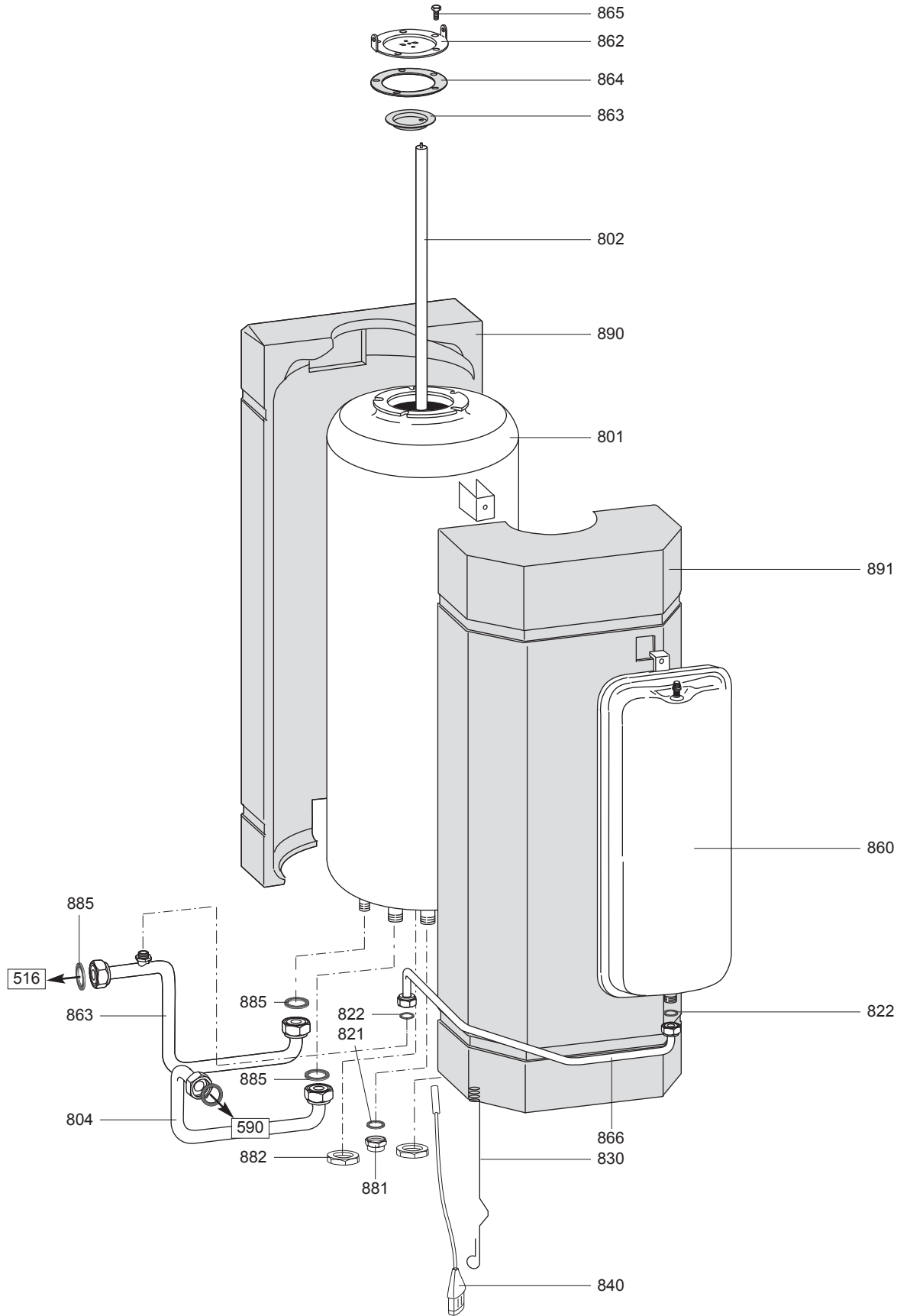


☉⇒	Description	Manf. Pt. N	Type	GENUS 23/BFFI GENUS 23 BI																	
				1	2	3	4	5	6	7	8	9	10	11	12	13	14	15	16	17	18
0500	<b>WATER SECTION ASSY</b>																				
0501	HYDRAULIC GROUP	573449		•	•																
0502	MOTOR (3 WAY VALVE)	570711		•	•																
0503	PIPE (CIRCULATOR TO EXCHANGER)	572391		•	•																
0504	THERMOSTAT (OVERHEAT)	571648		•	•																
0505	GASKET 1	569387		•	•																
0509	DIAPHRAGM (PRESSURE SWITCH)	572170		•	•																
0515	BY-BASS BODY	572728		•	•																
0516	MOTORIZED VALVE BODY	573455		•	•																
0520	TEMPERATURE PROBE (C.H.W.)	569236		•	•																
0527	GASKET 1/4	569390		•	•																
0529	PRESSURE GAUGE	571649		•	•																
0531	AUTOMATIC AIR RELEASE VALVE	571639		•	•																
0537	SAFETY VALVE (3 BAR).	569292		•	•																
0538	KIT FOR VERT. 1 PUMP ATTACHMENTS+JOLLY	996613		•	•																
0539	MAIN FLOW SWITCH KIT	65100519		•	•																
0541	GASKET 1/2	573528		•	•																
0560	MAGNET (MAIN FLOW SWITCH)	571772		•	•																
0561	D.H.W. PRESSURE SWITCH BOTTOM COVER	571777		•	•																
0562	SPRING (MAIN FLOW SWITCH)	571771		•	•																
0563	DRAIN VALVE	573727		•	•																
0571	LOW WATER PRESSURE SWITCH	995903		•	•																
0577	SPRING (INOX)	571776		•	•																
0585	DISCONNECTOR OUTLET PIPE	573864		•	•																
0586	DISCONNECTING DEVICE	572242		•	•																
0587	COVER (MOTORISED VALVE)	572858		•	•																
0590	UNION ( T PIECE - C.H. RETURN)	572653		•	•																
0594	GASKET 3/4	573520		•	•																
0595	GASKET 3/8	573521		•	•																
0596	GASKET 1/8	572244		•	•																
0598	D.H.W. PRESSURE SWITCH TOP COVER	571775		•	•																

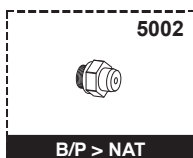




Description	Manf. Pt. N	Type	GENUS 23 B/FFI GENUS 23 BI																	
			1	2	3	4	5	6	7	8	9	10	11	12	13	14	15	16	17	18
<b>0600 ELECTRICAL BOX</b>																				
0602 PRESSURE GAUGE	571649			•																
0603 RESET BUTTON	573041		•	•																
0605 CABLE CLAMP	571562		•	•																
0608 NYLON BUSH (10MM)	569711		•	•																
0612 CABLE (P.C.B.)	952610		•	•																
0613 CABLE HOLDER COVER (R.H.)	569713		•	•																
0614 CONTROL PANEL (FRONT)	572675		•	•																
0615 P.C.B. (EB C-MI/FFI)	953083		•	•																
0621 POWER INDICATOR L.E.D. LENS	571550		•	•																
0625 CABLE HOLDER COVER (L.H.)	569714		•	•																
0646 CONNECTOR BLOCK	571787		•	•																
0650 CONTROL KNOB KIT	573043		•	•																
0655 CABLE HOLDER	569458		•	•																
0656 CABLE HOLDER	573534		•	•																
0657 CABLE (FAN/P.C.B.)	573192		•	•																
0658 PCB BOX	999329		•	•																
0674 SUMMER/WINTER SELECTOR KIT	573042		•	•																
0675 ON/OFF PUSH BUTTON KIT	573040		•	•																
0679 BLIND GROMMET	569720		•	•																
0680 INSPECTION COVER (L.H.)	571629		•	•																
0681 INSPECTION COVER (R.H.)	571628		•	•																
0698 PRINTED CIRCUIT BOARD (E A MI)	952910			•																
PRINTED CIRCUIT BOARD (EA FFI)	952930		•																	



5000



GENUS 23 B/FFI  
GENUS 23 BI

31

☉⇒	Description	Manf. Pt. N	Type																		
				1	2	3	4	5	6	7	8	9	10	11	12	13	14	15	16	17	18
<b>0800</b>	<b>HOT WATER TANK</b>																				
0801	D.H.W. CYLINDER 45 L	995466		•	•																
0802	ANODE (D.21 L:450 M6)	469002		•	•																
0804	PIPE (C.H. FLOW)	572400		•	•																
0821	GASKET 1/2	573528		•	•																
0830	SPRING (D.H.W. PROBE)	990483		•	•																
0840	TEMPERATURE PROBE (D.H.W.)	573015		•	•																
0860	8 L. STANDARDISED EXPANSION VESSEL	65101718		•	•																
0863	PIPE (DIVERTER VALVE TO BOILER)	572390		•	•																
0864	98MM GASKET	469070		•	•																
0865	SNUG SCREW	241506		•	•																
0866	PIPE (EXPANSION VESSEL)	572389		•	•																
0867	GASKET WITH 8X23 SCREW	990020		•	•																
0881	1/2 BRASS CAP	570571		•	•																
0882	LOCK NUT 1/2	573530		•	•																
0885	GASKET 3/4	573520		•	•																
0890	CYLINDER SHELL (REAR)	573485		•	•																
0891	CYLINDER SHELL (FRONT)	573484		•	•																
<b>5000</b>	<b>ACCESSORIES</b>																				
5001	BURNER JET FULL KIT (LPG)	569282	LPG	•																	
5002	BURNER JET FULL KIT (NG)	573237	NG	•																	

## LIST OF THE ABBREVIATIONS

HW .....	: Hot water.
CW .....	: Cold water.
C .....	: Ceramic resistance (normal heating).
Ca .....	: Ceramic resistance (accelerated heating)
TP .....	: Immersion heater.
1F .....	: With fittings.
2F .....	: Without fittings.
3F .....	: With fittings and another outlet connection.
AMI .....	: With mixing valve.
SMI .....	: Without mixing valve.
PUISS .....	: Power of th appliance.
PN .....	: Appliance with normal pression.
LP .....	: Appliance with low pression.
PV .....	: Appliance with variable power.
PF .....	: Appliance with fixed power.

## IDENTIFICATION PLATE

### SERIAL NUMBER

<b>10 Characters :</b>	04 05 125 011	Sequential number Manufacturing day Year of manufacture
<b>11 Characters :</b>	1 95 065004 - 31	Technical number of the appliance Sequential number Year of manufacture
Month of manufacture : from 1 to 9 → Jan. to Sep., O → Oct., N → Nov., D → Dec.		
<b>19 Characters :</b>	08 05 0013199 900640031	Product reference Sequential number
Year of manufacture Month of manufacture		
<b>20 Characters :</b>	3675007 XX 2 07 070 00315	Sequential number Manufacturing day Year of manufacture
Product reference Millenium of manufacture		
<b>21 Characters :</b>	3675007 XX 07 070 0000315	Sequential number Manufacturing day
Product reference Year of manufacture		

The indications mentioned on the prices, commercial or technical literature and the scheme are written for your guidance and are available at a given time. The CONSTRUCTOR retains the power to modify the presentation, the form, the size, the conception or the material of the products.