



SPARE PARTS EXPLODED VIEW
GAS WALL BOILERS

Model

CLAS B PREMIUM

R8203209-04 - 26/09/2012

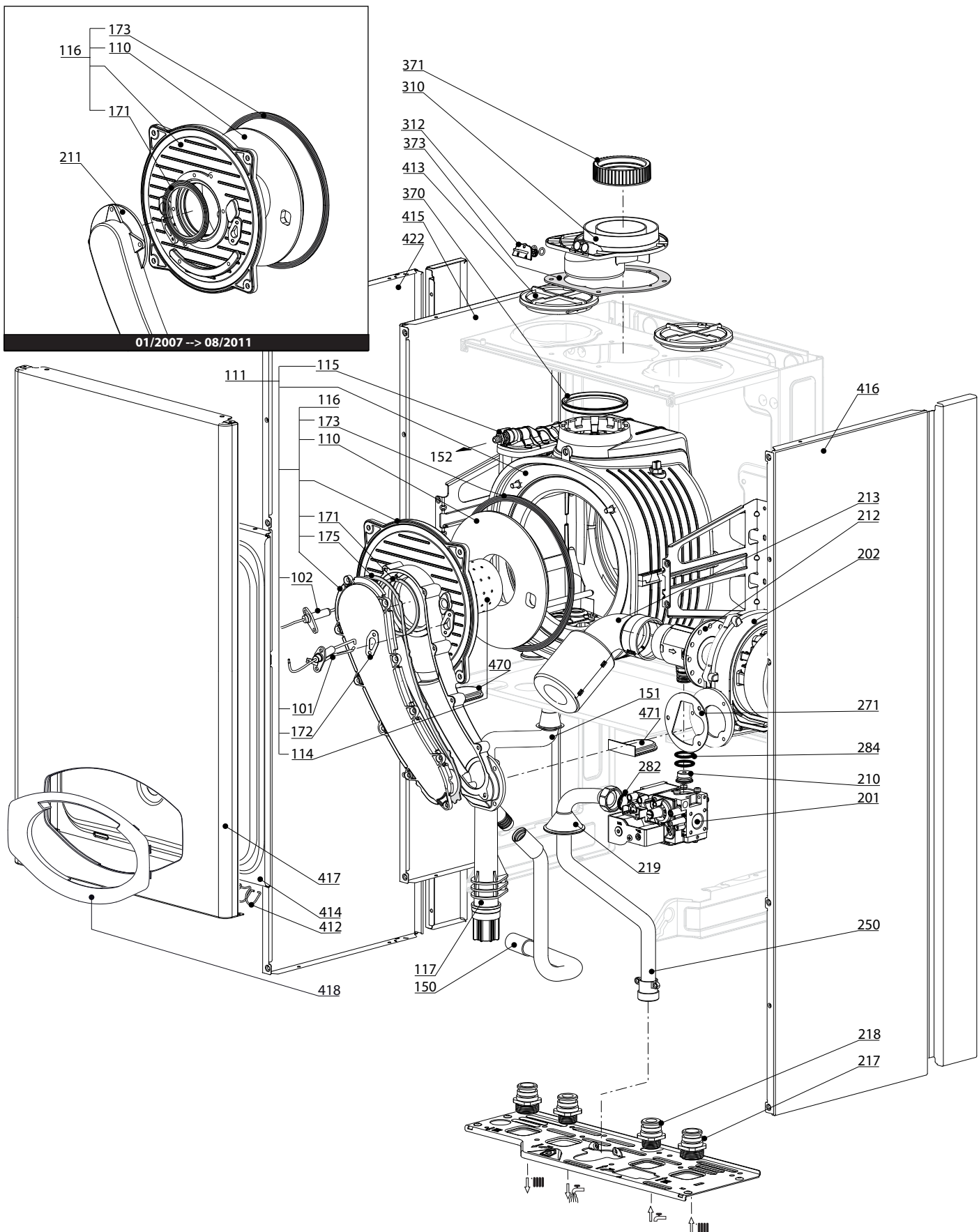
CLAS B PREMIUM

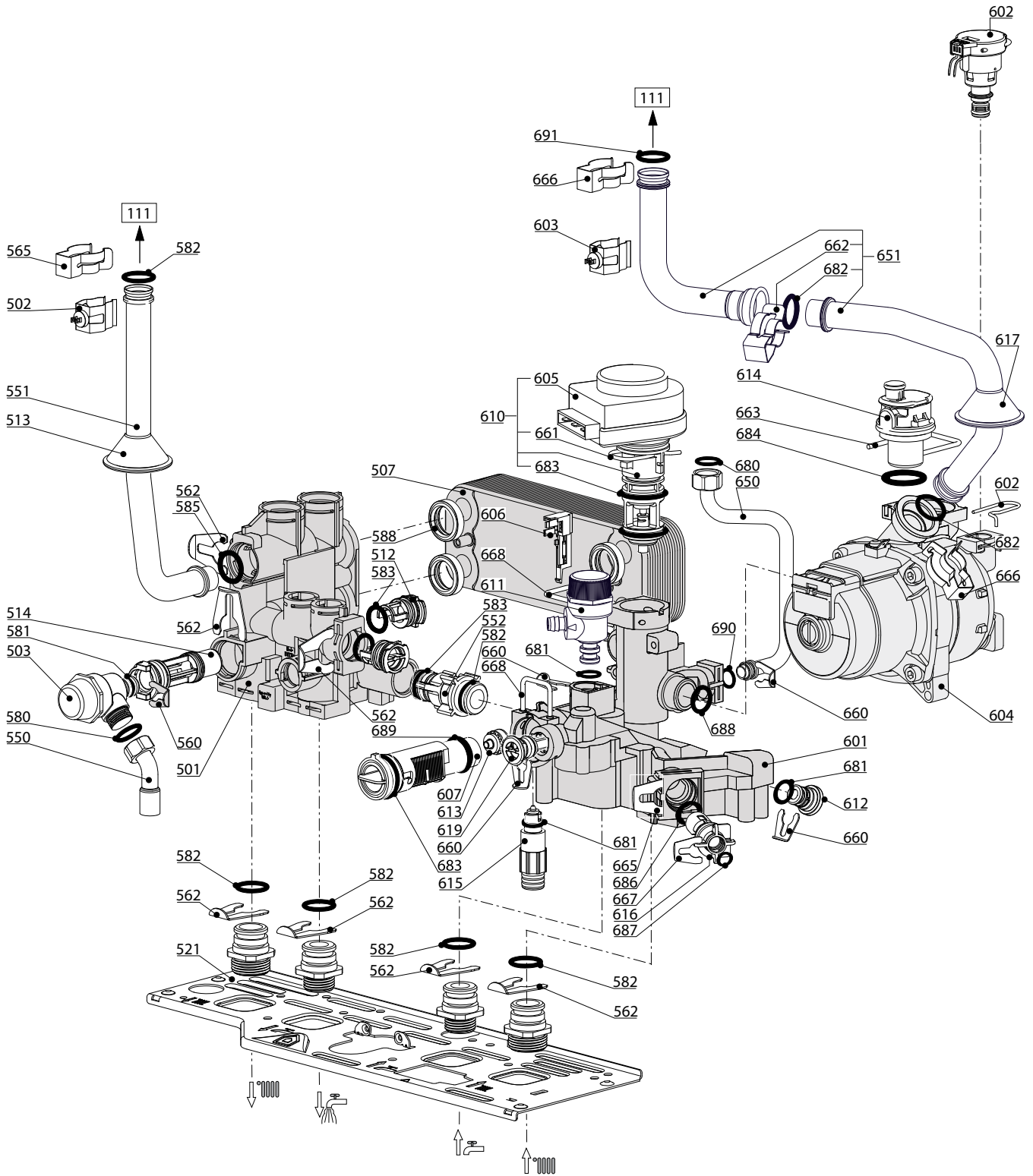
Domestic Gas Boilers

1	3665100	CLAS B PREMIUM 24 HMO_EE	01-2009	-
2	3665101	CLAS B PREMIUM 35 HMO_EE	01-2009	-
Col	Reference	Model type	Begin	End

100
200
300
400

CLAS B PREMIUM
Domestic Gas Boilers





CLAS B PREMIUM 24
 CLAS B PREMIUM 35

☉➔	Description	Manf. Pt. N	Type																		
				1	2	3	4	5	6	7	8	9	10	11	12	13	14	15	16	17	18
0500	FLOW GROUP																				
0501	FLOW GROUP	60000844		●	●																
0502	TEMPERATURE PROBE + CLIP	990686		●	●																
0503	PRESSURE RELIEF VALVE 3 BAR	61312668		●	●																
0507	WATER / WATER HEAT EXCHANGER 16	65104333		●	●																
0512	PLUG	65104445		●	●																
0513	GROMMET	61010109		●	●																
0514	BY-PASS	65104336		●	●																
0521	HYDRAULIC GROUP SUPPORT	65104311		●	●																
0550	PIPE (SAFETY VALVE)	65104447		●	●																
0551	HEATING FLOW TUBE	60000859		●																	
	HEATING FLOW TUBE	60000981			●																
0552	BY-PASS PIPE	65104340		●	●																
0560	CLIP D:10	65104260		●	●																
0562	CLIP D=18	65104259		●	●																
0565	CLIP	60000309		●	●																
0580	SHEET GASKET D: 13.9-10.4-1.5	60061853-02		●	●																
0581	O - RING (15.88X2.62)	65104337		●	●																
0582	O-RING D: 17.86-2.62	61308091		●	●																
0583	O - RING (15.54X2.62)	65104325		●	●																
0585	O-RING 3,53X17,04	65104262		●	●																
0588	EXCHANGER GASKET	65104334		●	●																
0600	RETURN GROUP																				
0601	RETURN GROUP	60000874		●	●																
0602	LOW PRESSURE SWITCH	65105090		●	●																
0603	TEMPERATURE PROBE + CLIP	990686		●	●																
0604	PUMP 6M 2V	60000591		●	●																
0605	MOTOR - THREE-WAY VALVE	61302483-01		●	●																
0606	SENSOR (REED)	65104323		●	●																
0607	FLOW METER	60000870		●	●																
0610	MOTOR + SPRING 3 WAY VALVE KIT	60001583		●	●																
0611	PRESSURE RELIEF VALVE 7 BARS	60000171		●	●																
0612	PLUG	65104377		●	●																
0613	RIDUCTORS (KIT)	65104318		●	●																
0614	AUTO AIR VENT WITH O-RING	65104703		●	●																
0615	KIT DRAIN SCREW	60001385		●	●																
0616	WATER FILTER	60001372		●	●																
0617	GROMMET	61010109		●	●																
0619	PLUG	65104377		●	●																
0650	PIPE (EXPANSION VESSEL)	60001247		●	●																
0651	HEATING RETURN TUBE	60000857		●	●																
0660	CLIP D:10	65104260		●	●																
0661	CLIP	65104332		●	●																
0662	CLIP	61307589		●	●																
0663	U-CLIP	65104704		●	●																
0664	CLIP	65104322		●	●																
0665	CLIP	65104331		●	●																
0666	CLIP	60000309		●	●																
0667	CLIP	65100680		●	●																
0668	CLIP	65104316		●	●																
0680	GASKET 3/8	573521		●	●																
0681	O - RING (9.19X2.62)	65104313		●	●																
0682	O-RING 3,53X17,04	65104262		●	●																
0683	O - RING (23.47X2.62)	65104315		●	●																
0684	O-RING	65104705		●	●																
0686	O - RING (15.54X2.62)	65104325		●	●																
0687	O RING D: 5.7-1.9	61009834-10		●	●																
0688	O - RING (21.89X2.62)	65104320		●	●																
0689	O-RING 17,17X1,78	65104303		●	●																
0690	O-RING D: 8.9-2.7	61009834-14		●	●																
0691	O-RING D: 17.86-2.62	61308091		●	●																

CLAS B PREMIUM

Domestic Gas Boilers

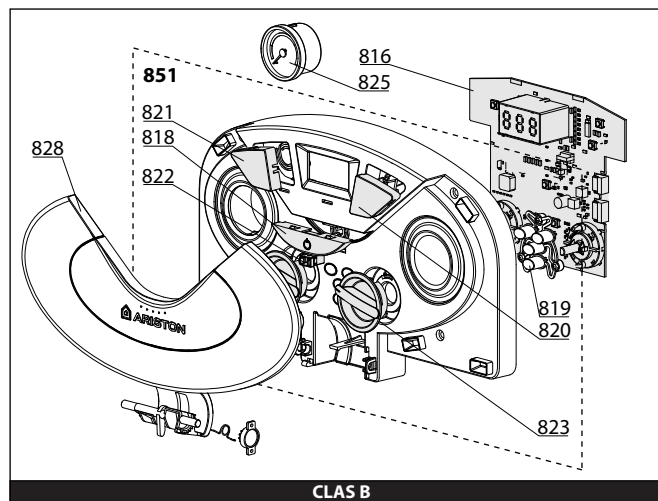
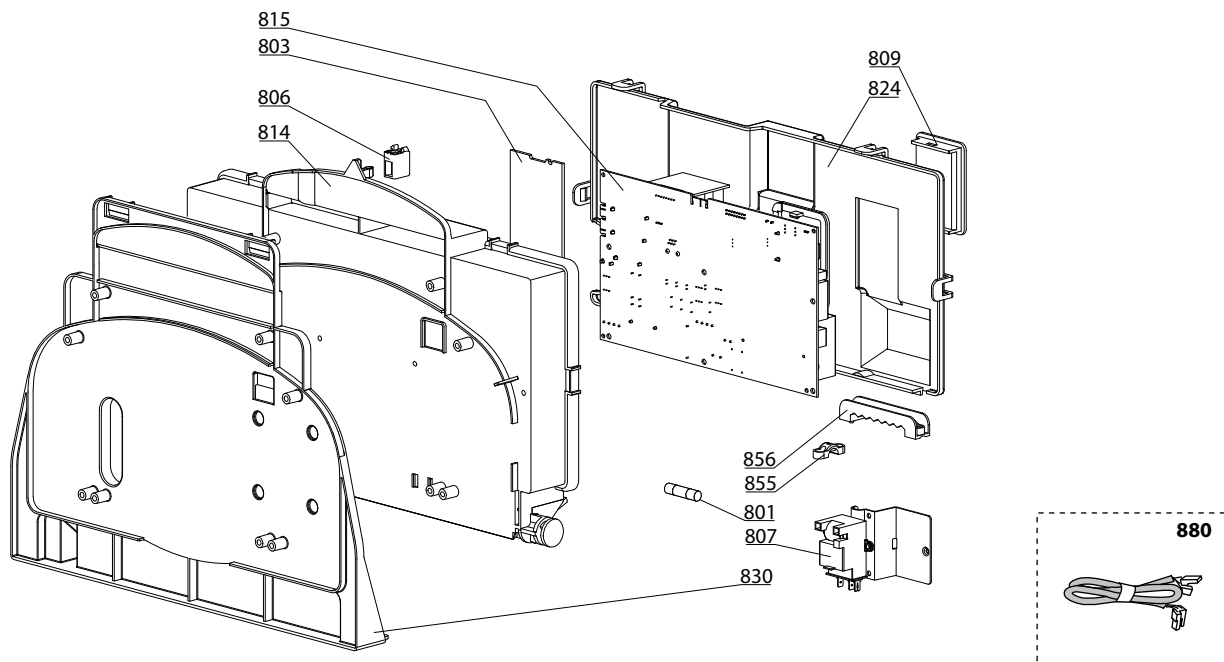
CLAS B PREMIUM 24
 CLAS B PREMIUM 35

31

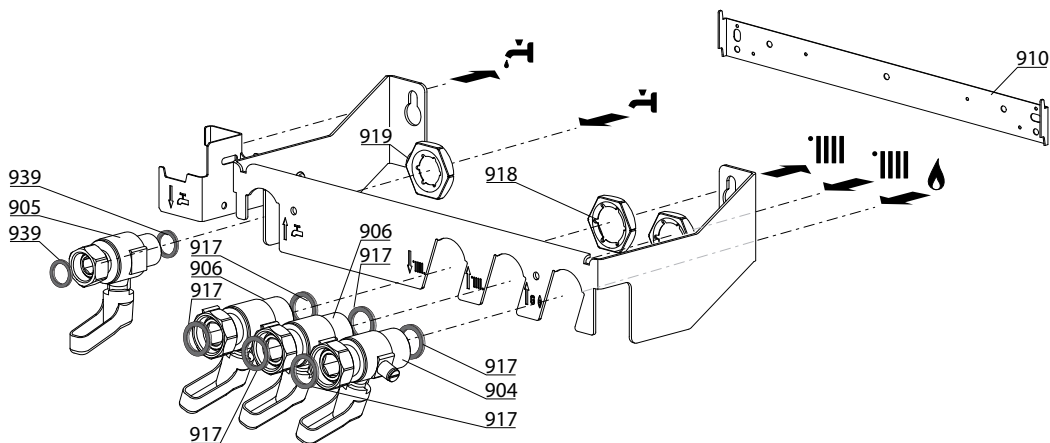
☉⇒	Description	Manf. Pt. N	Type																		
				1	2	3	4	5	6	7	8	9	10	11	12	13	14	15	16	17	18
0700	HOT WATER TANK																				
0701	PUMP DHW	60001331		•	•																
0702	NTC PROBE	60000822		•	•																
0703	EXPANSION VESSEL 12L	60001243		•	•																
0704	EXPANSION VESSEL 2L	61316921		•	•																
0705	TEMPERATURE PROBE + CLIP	990686		•	•																
0710	CYLINDER 40L	60001249-01		•	•																
0711	KIT DRAIN SCREW	60001385		•	•																
0712	DISCONNECTOR	60000263		•	•																
0713	CONNECTION M/M 3/4	60001325		•	•																
0714	CONNECTION M/M 1/2	60001326		•	•																
0715	GAS CONNECTION	60001327		•	•																
0716	HEATING RETURN CONNECTION	60001328		•	•																
0717	HOT WATER CONNECTION	60001329		•	•																
0718	NON-RETURN VALVE	60001330		•	•																
0719	CONNECTION	60001333		•	•																
0721	DRAIN SCREW ASSY	60081904		•	•																
0722	INTERFACE SYSTEM	60001342		•	•																
0723	CONNECTION BOX	60001252		•	•																
0724	LONGERON 65mm	60001383		•																	
	LONGERON 130mm	60001384			•																
0725	LONGERON 130mm	60001384		•	•																
0726	HYDRAULIC GROUP SUPPORT	60001599		•	•																
0750	PIPE (EXPANSION VESSEL)	60001248		•	•																
0751	GAS TUBE	60001316		•																	
	GAS TUBE	60001335			•																
0752	KIT FLEXIBLE SANITARY	60001948		•	•																
0756	INLET PIPE	60001324		•																	
	INLET PIPE	60001341			•																
0757	TUBE - PUMP DHW	60001321		•																	
	TUBE - PUMP DHW	60001339			•																
0758	HEATING TUBE	60001322		•																	
	HEATING TUBE	60001340			•																
0759	HEATING TUBE	60001320		•																	
	HEATING TUBE	60001338			•																
0760	CLIP	61307589		•	•																
0761	CLIP	65105109		•	•																
0780	SHEET GASKET D: 24-18.2-1.5	60022835-01		•	•																
0781	O-RING 3,53X17,04	65104262		•	•																
0782	SHEET GASKET D: 24-18.2-1.5	60061855-01		•	•																
0783	SHEET GASKET D: 8.5-4.1-1.5	60001363		•	•																
0784	WASHER D: 18.4-12.2-1.5	60061855-14		•	•																
0785	O - RING (13X2)	65105108		•	•																
0786	O - RING (9.19X2.62)	65104313		•	•																

CLAS B PREMIUM

Domestic Gas Boilers



900



5000

5001
 Transf. gaz > GPL
 Conv. gas > GPL
 Trasn. gas > GPL
 Transf. gas > GPL

5002
 Transf. gaz > Nat
 Conv. gas > Nat
 Trasn. gas > Met
 Transf. gas > Met

5020
 Options
 Accessories
 Opzioni
 Accessorio

CLAS B PREMIUM 24
 CLAS B PREMIUM 35

31

Description	Manf. Pt. N	Type																		
			1	2	3	4	5	6	7	8	9	10	11	12	13	14	15	16	17	18
0800 ELECTRICAL BOX																				
0801 FUSE 250V 2A - TEMPORIZED	61003456		•	•																
0803 P.C.B (CLIP-IN) E-BUS	65109108		•	•																
0806 PUSH	65104228		•	•																
0807 IGNITER	61002105-20		•	•																
0809 INSPECTION COVER	65104294		•	•																
0814 CONTROL PANEL	60001362		•	•																
0815 P.C.B. (MAIN)	65109138-03		•	•																
0816 PRINTED CIRCUIT BOARD (DISPLAY)	65104448		•	•																
0818 PUSH BUTTON ON/OFF	65104267		•	•																
0819 PUSH BUTTON GROUP (MENU)	65104503		•	•																
0820 PUSH BUTTON (R.H.SIDE)	65104222		•	•																
0821 PUSH BUTTON (L.H.SIDE)	65104229		•	•																
0822 PUSH (CASE DOOR)	65100676		•	•																
0823 KNOB	65104450		•	•																
0824 CONTROL PANEL COVER (REAR)	65104293		•	•																
0825 PRESSURE GAUGE	60001355		•	•																
0828 FRONT COVER	65104449		•	•																
0830 CONTROL PANEL	60001229		•	•																
0851 FRONT CONTROL PANEL COMPLETE	60001356		•	•																
0855 CABLE CLAMP	571562		•	•																
0856 CABLE CLAMP	65103377		•	•																
0880 ELECTRODE IGNITION CABLE	60000527		•	•																
EARTH WIRE	65104286		•	•																
DISPLAY WIRING	60001250	/ CN02	•	•																
IGNITOR - GAS VALVE CABLE	60000543	/ CN03	•	•																
NTC - OVERHEAT - PRESSURE SENSOR CABLE	60001135	/ CN04	•																	
HEAT SENSOR CABLE	60001314	/ CN04	•																	
IONIZATION ELECTRODE CABLE	60000567	/ CN05	•	•																
THREE WAY VALVE CABLE	65104523	/ CN09	•	•																
PUMP 2V CABLE 5M	65104520	/ CN10	•	•																
CLIP-IN E-BUS WIRING	65105169	/ CN11	•	•																
PUMP 1V CABLE	65105081	/ CN12	•	•																
FLOW METER CABLE	60000813	/ CN14	•	•																
FEEDER 240V	60001361	/ CN20	•	•																
NTC PROBE - NTC EXCHANGER - FAN	60001234	/ CN22	•	•																
ROOM THERMOSTAT CABLE	60001253	/ CN25	•	•																
0900 JIG PLATE & PIPE FITTING																				
0904 GAS SERVICE TAP	61313366		•	•																
0905 WATER TAP	61313368		•	•																
0906 WATER FLOW & RETURN SERVI. TAP	61313367		•	•																
0910 WALL HOOK	60001251		•	•																
0917 SHEET GASKET D: 24-17-1.5	60061855-19		•	•																
0918 LOCK NUT	60031140		•	•																
0919 CONTRODADO H 1/2	60031139		•	•																
0939 WASHER D: 18.4-12.2-1.5	60061855-14		•	•																
5000 ACCESSORIES																				
5001 BURNER JET FULL KIT (LPG)	60000752		•																	
BURNER JET FULL KIT (LPG)	60000754		•	•																
5020 CLEANING KIT CONDENSATION	60000982		•	•																
AIR RETURN MANIFOLD	65104710		•	•																

CLAS B PREMIUM

Domestic Gas Boilers

LIST OF THE ABBREVIATIONS

HW	: Hot water.
CW	: Cold water.
C	: Ceramic resistance (normal heating).
Ca	: Ceramic resistance (accelerated heating)
TP	: Immersion heater.
1F	: With fittings.
2F	: Without fittings.
3F	: With fittings and another outlet connection.
AMI	: With mixing valve.
SMI	: Without mixing valve.
PUISS	: Power of th appliance.
PN	: Appliance with normal pression.
LP	: Appliance with low pression.
PV	: Appliance with variable power.
PF	: Appliance with fixed power.

IDENTIFICATION PLATE

SERIAL NUMBER

10 Characters :	04 05 125 011	Sequential number Manufacturing day Year of manufacture
11 Characters :	1 95 065004 - 31	Technical number of the appliance Sequential number Year of manufacture
Month of manufacture : from 1 to 9 → Jan. to Sep., O → Oct., N → Nov., D → Dec.		
19 Characters :	08 05 0013199 900640031	Product reference Sequential number
Year of manufacture Month of manufacture		
20 Characters :	3675007 XX 2 07 070 00315	Sequential number Manufacturing day Year of manufacture
Product reference Millenium of manufacture		
21 Characters :	3675007 XX 07 070 0000315	Sequential number Manufacturing day
Product reference Year of manufacture		