



SPARE PARTS EXPLODED VIEW HEAT PUMPS

Model

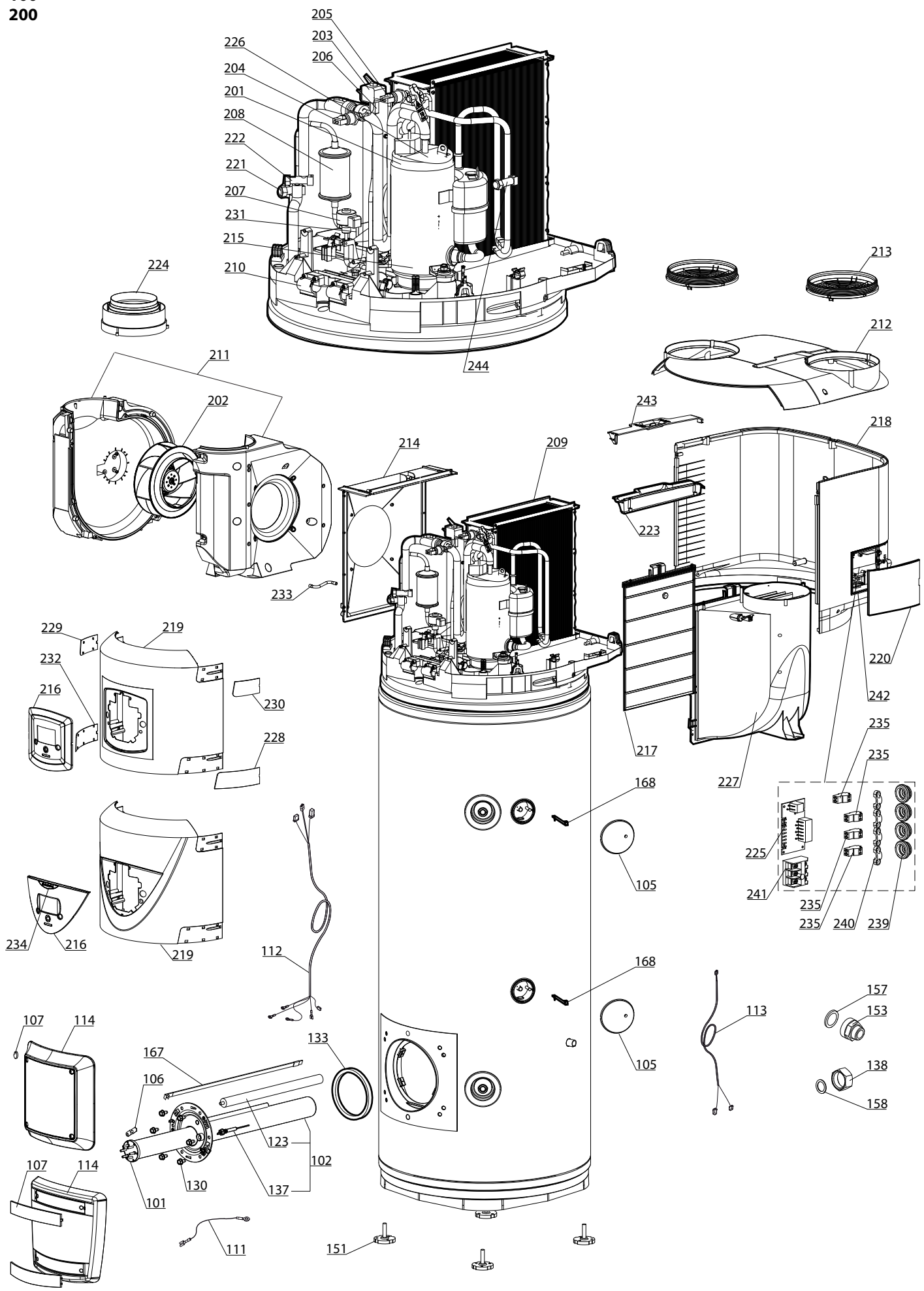
NUOS PLUS /AQUANEXT PLUS /EYRE

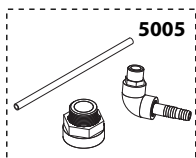
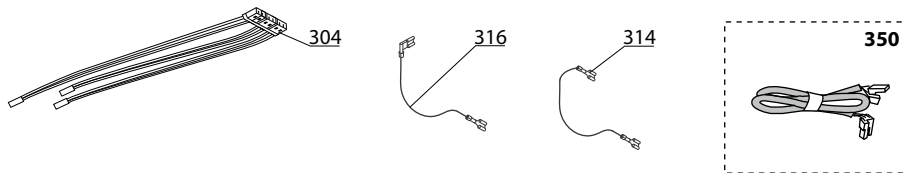
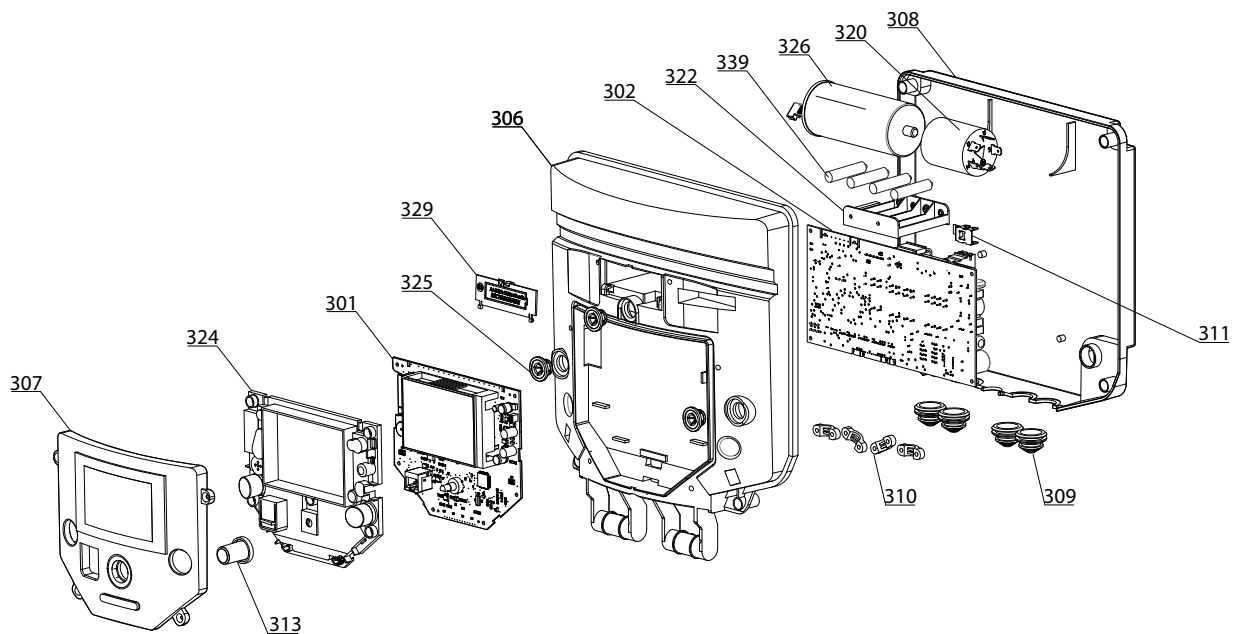
R8203453-02 - 05/04/2016

1	3079052	NUOS PLUS 200
2	3079053	NUOS PLUS 250
3	3079054	NUOS PLUS 250 SYS
4	3079055	NUOS PLUS 250 TWIN SYS
5	3069446	AQUANEXT OPTI 200
6	3079056	AQUANEXT PLUS 200
7	3079057	AQUANEXT PLUS 250
8	3079058	AQUANEXT PLUS 250 SYS
9	3079064	EYRE 200
10	3079065	EYRE 250
11	3079066	EYRE 250 SYS

Col	Reference	Model type	Begin	End
-----	-----------	------------	-------	-----

100
200





LIST OF THE ABBREVIATIONS

HW	: Hot water.
CW	: Cold water.
C	: Ceramic resistance (normal heating).
Ca	: Ceramic resistance (accelerated heating)
TP	: Immersion heater.
1F	: With fittings.
2F	: Without fittings.
3F	: With fittings and another outlet connection.
AMI	: With mixing valve.
SMI	: Without mixing valve.
PUISS	: Power of th appliance.
PN	: Appliance with normal pression.
LP	: Appliance with low pression.
PV	: Appliance with variable power.
PF	: Appliance with fixed power.

IDENTIFICATION PLATE

SERIAL NUMBER

9 Characters :	07 91 00301 (from 01/77 to 12/92)	
Month of manufacture	07	Sequential number
Year of manufacture	91	
	00301	
10 Characters :	95 01 065004 (from 01/93 to 06/95)	
Year of manufacture	95	Sequential number
	01	Month of manufacture
	065004	
OU		
10 Characters :	01 95 065004 (from 07/95)	
Month of manufacture	01	Sequential number
	95	Year of manufacture
	065004	
12 Characters :	924 2 3 134 0115	
Product reference	924	Sequential number
Year of manufacture	2	Manufacturing day
	3	
	134	
	0115	
15 ou 16 Characters :	(0)03 070 0001 893077 (from 01/97 to 01/05)	
Year of manufacture	(0)03	Product reference
Day of manufacture	070	Sequential number
	0001	
	893077	
OU		
16 Characters :	05 070 0001 0000000 (from 02/05)	
Year of manufacture	05	Product reference
Day of manufacture	070	Sequential number
	0001	
	0000000	
17 Characters :	07 070 00315 3070107	
Year of manufacture	07	Product reference
	070	Sequential number
	00315	Manufacturing day (70)
	3070107	
21 Characters :	3000115 XX 08115 0000001	
Product reference	3000115	Sequential number
	XX	Year (08) / Manufacturing day (115)
	08115	
	0000001	
22 Characters :	3000115 XX 070416 0000001	
Product reference	3000115	Sequential number
	XX	Year (07) / Month (04) / Manufacturing day (16)
	070416	
	0000001	

The indications mentioned on the prices, commercial or technical literature and the scheme are written for your guidance and are available at a given time. The CONSTRUCTOR retains the power to modify the presentation, the form, the size, the conception or the material of the products.