



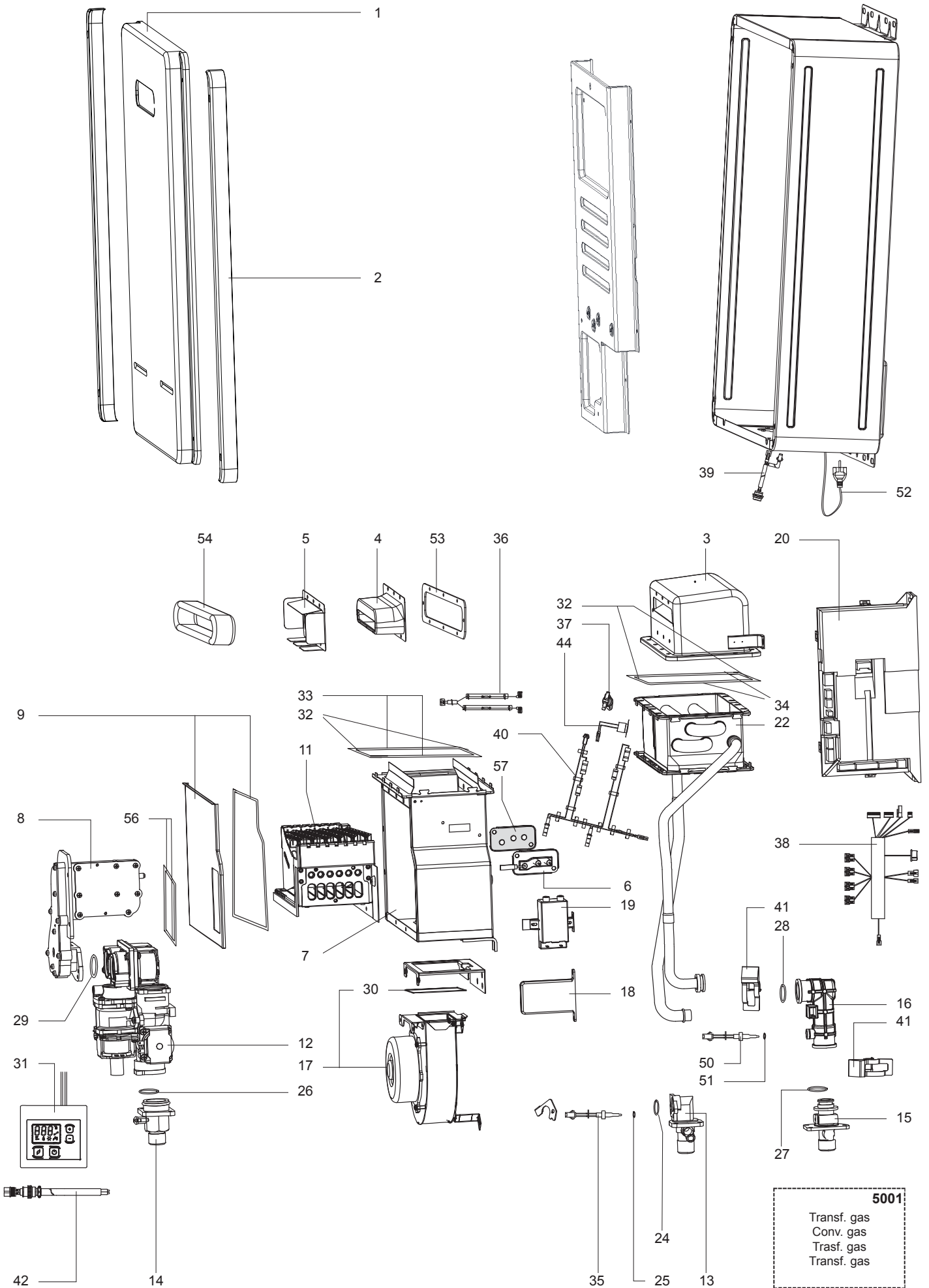
SPARE PARTS EXPLODED VIEW
INSTANTANEOUS GAS WATER HEATERS
Model
NEXT EVO X OUTDOOR

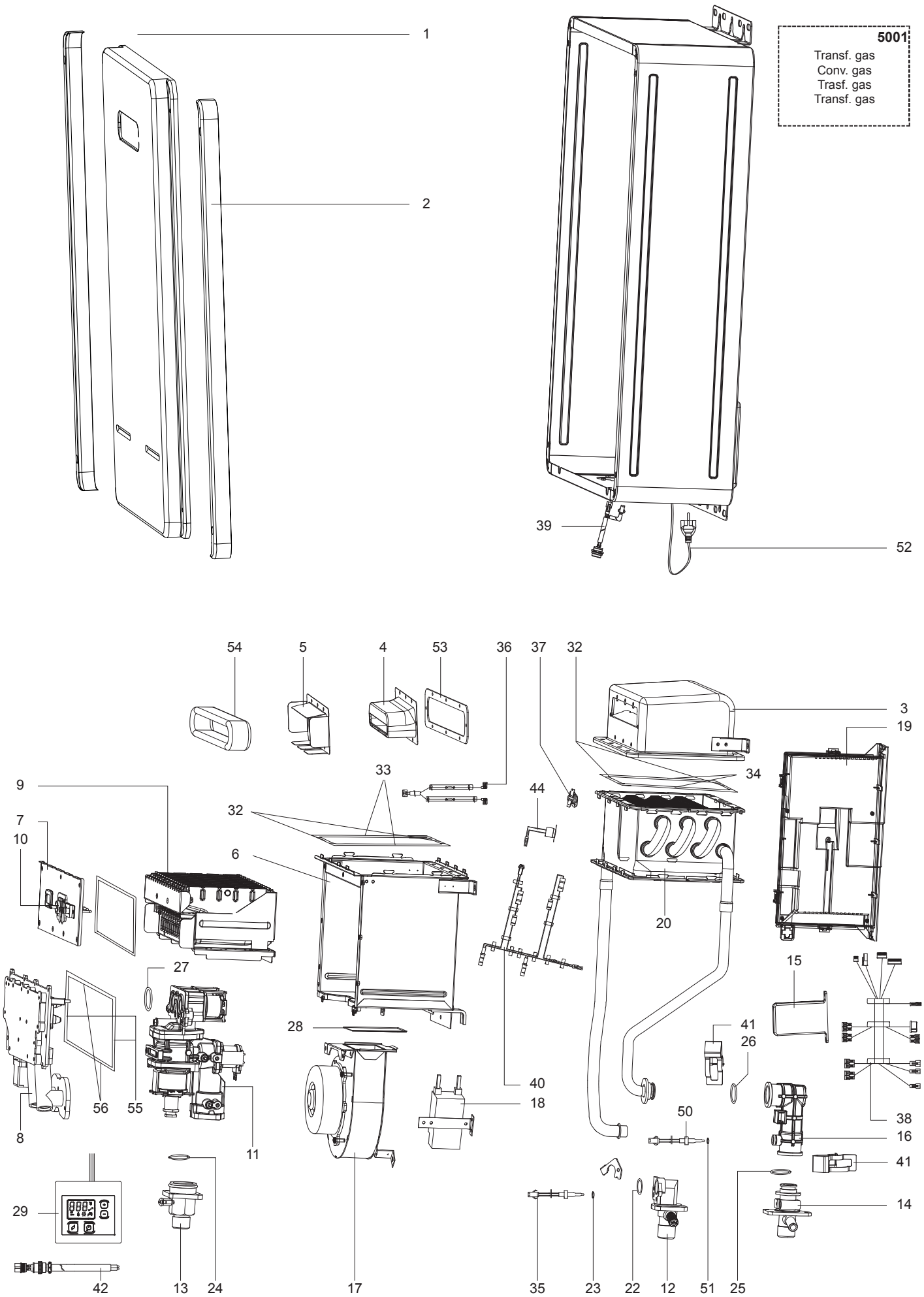
R8218204-05 - 03/02/2020

NEXT EVO X OUTDOOR

Instantaneous Gas Water Heaters

1	3632457	NEXT EVO X OUTDOOR 11 NG EU	11-2018	-
2	3632458	NEXT EVO X OUTDOOR 11 LPG EU	11-2018	-
3	3632459	NEXT EVO X OUTDOOR 16 NG EU	11-2018	-
4	3632460	NEXT EVO X OUTDOOR 16 LPG EU	11-2018	-
5	3632461	NEXT EVO X OUTDOOR 22 NG EU	08-2018	-
6	3632462	NEXT EVO X OUTDOOR 26 NG EU	08-2018	-
Col	Reference	Model type	Begin	End





LIST OF THE ABBREVIATIONS

HW	: Hot water.
CW	: Cold water.
C	: Ceramic resistance (normal heating).
Ca	: Ceramic resistance (accelerated heating)
TP	: Immersion heater.
1F	: With fittings.
2F	: Without fittings.
3F	: With fittings and another outlet connection.
AMI	: With mixing valve.
SMI	: Without mixing valve.
PUISS	: Power of th appliance.
PN	: Appliance with normal pression.
LP	: Appliance with low pression.
PV	: Appliance with variable power.
PF	: Appliance with fixed power.

IDENTIFICATION PLATE

SERIAL NUMBER

10 Characters :	04 05 125 011	
		Sequential number
		Manufacturing day
		Year of manufacture
11 Characters :	1 95 065004 - 31	
Month of manufacture :		Technical number of the appliance
from 1 to 9 → Jan. to Sep.,		Sequential number
O → Oct., N → Nov.,		Year of manufacture
D → Dec.		
19 Characters :	08 05 0013199 900640031	
Year of manufacture		Product reference
Month of manufacture		Sequential number
20 Characters :	3675007 XX 2 07 070 00315	
Product reference		Sequential number
Millenium of manufacture		Manufacturing day
		Year of manufacture
21 Characters :	3675007 XX 07 070 0000315	
Product reference		Sequential number
Year of manufacture		Manufacturing day