



SPARE PARTS EXPLODED VIEW
GAS-WALL CONDENSING BOILERS

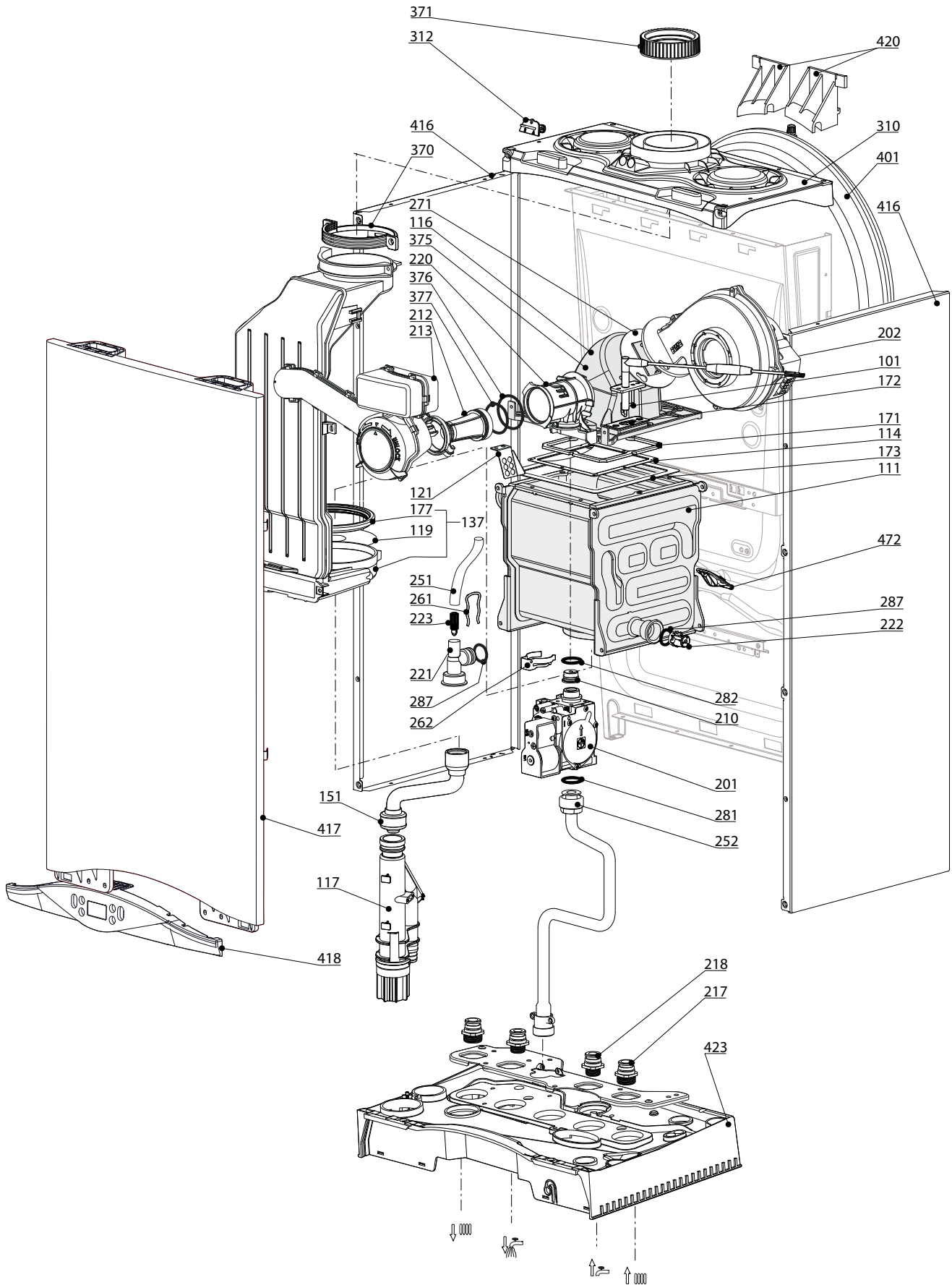
Model
HS PREMIUM

R8203429-07 - 29/11/2019

HS PREMIUM

Gas-wall condensing boilers

1	3300761	HS PREMIUM 24 EU	05-2015	06-2019
2	3301134	HS PREMIUM 24 EU (NG/KIT LPG)	05-2017	06-2019
3	3300765	HS PREMIUM 30 EU	05-2015	06-2019
4	3301135	HS PREMIUM 30 EU (NG/ KIT LPG)	03-2019	06-2019
Col	Reference	Model type	Begin	End



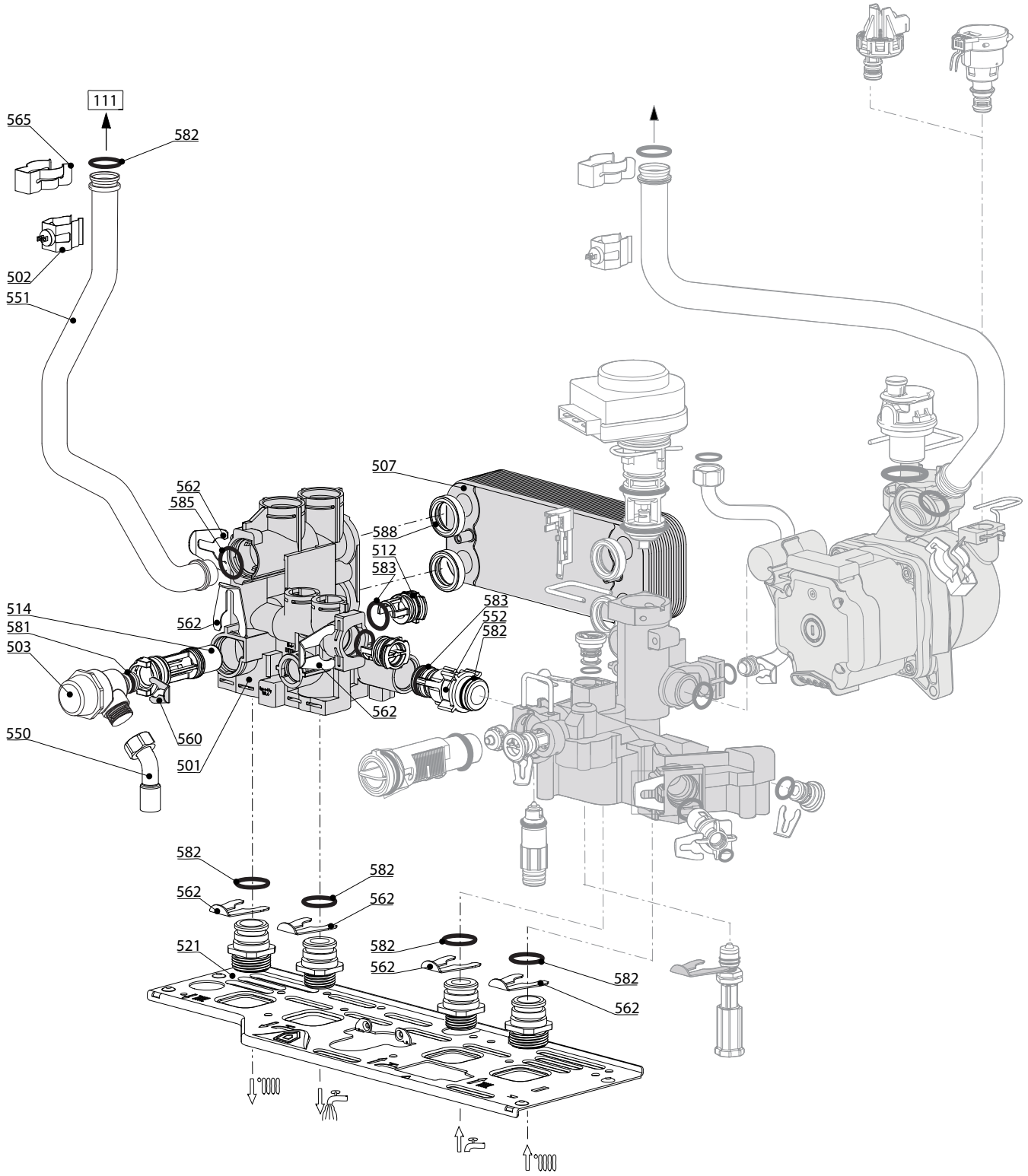
HS PREMIUM 24 EU
 HS PRE. 24 EU (NG/LPG)
 HS PREMIUM 30 EU
 HS PRE. 30 EU (NG/LPG)

31

Description	Manf. Pt. N	Type	HS PREMIUM 24 EU / HS PRE. 24 EU (NG/LPG) / HS PREMIUM 30 EU / HS PRE. 30 EU (NG/LPG)																		From	to
			1	2	3	4	5	6	7	8	9	10	11	12	13	14	15	16	17	18		
0100 BURNER ASSEMBLY																						
0101 IGNITION ELECTRODE	65114235		•	•																	03/17	
IGNITION ELECTRODE	65116262		•	•	•	•														04/17		
0111 EXCHANGER 24KW	65114230		•	•																		
EXCHANGER 30KW	65115151				•	•																
0114 BURNER 24KW	60001851-02		•	•																		
BURNER 30KW	60001289				•																	
BURNER CERAMAT 30KW	65118608					•																
0116 CONDENSER COVER 24KW	65114231		•	•																		
CONDENSER COVER 30KW	65115152				•	•																
0117 TRAP	60001949-01		•	•	•	•																
0119 RESTRICTOR D: 30	60001858		•	•	•	•																
0121 DEFLECTOR	65114222		•	•	•	•																
0137 FLUE DUCT FIRST SECTION	60001854		•	•	•	•																
0151 FLEXIBLE PIPE	65114247		•	•	•	•																
0171 GASKET (COVER 24 KW)	60001863		•	•																		
GASKET (COVER 30 KW)	60001292				•	•																
0172 GASKET (IGNITION ELECTRODE)	60000286-01		•	•	•	•															03/17	
GASKET (IGNITION ELECTRODE)	65116263		•	•	•	•														04/17		
0173 GASKET (BURNER 24KW)	60001864		•	•																		
GASKET (BURNER 30KW)	60001293				•	•																
0177 GASKET (HEAT EXCHANGER)	60001874		•	•	•	•																
0200 GAS SECTION																						
0201 GAS VALVE	65114223		•	•	•	•																
0202 FAN ASSY	65114234		•	•	•	•																
0210 LPG GAS RESTRICTOR D:4.00	65117183	G31			•	•																
NG GAS RESTRICTOR D:4.70	65114226	G20	•	•																		
NG GAS RESTRICTOR D:7.1	65115153	G20			•	•																
0212 VENTURI D: 17.5MM	65114220		•	•																		
VENTURI D: 25.5MM	65115154				•	•																
0213 SILENCER	65114224		•	•	•	•																
0217 UNION (3/4")	65104326		•	•	•	•																
0218 UNION (1/2")	65104327		•	•	•	•																
0220 SUPPORT VENTURI	65114221		•	•	•	•																
0221 HEATING FLOW CONNECTION	65114233		•	•	•	•																
0222 DEFLECTOR	65114232		•	•	•	•																
0223 DRAIN SCREW	65114260		•	•	•	•																
0251 SILICONE TUBE D: 8x1 L: 0.15M	60001013		•	•	•	•																
0252 GAS TUBE	65114248		•	•																		
GAS TUBE	65115155				•	•																
0261 CLIP	60000309		•	•	•	•																
0262 CLIP D:10-16	65114229		•	•	•	•																
0271 GASKET	65114240		•	•	•	•																
0281 GASKET 3/4 in	573520		•	•	•	•																
0282 O-RING 18,64X3,53	65114239		•	•	•	•																
0287 O-RING 17.86X2.62	61308091		•	•	•	•																
0300 FAN ASSEMBLY																						
0310 CASE COVER ASSY	65114228		•	•	•	•																
0312 FLUE TEST PORT PLUG	65104295		•	•	•	•																
0370 GASKET (CONNECTION)	60001875		•	•	•	•																
0371 GASKET	60000316		•	•	•	•																
0375 O-RING D: 44.05-3.53	65114238		•	•	•	•																
0376 O-RING D: 34.59-2.62	65114236		•	•	•	•																
0377 O-RING D: 40.95-2.62	65114237		•	•	•	•																
0400 SEALED CASE																						
0401 EXPANSION VESSEL 8L	65104261		•	•	•	•																
0416 SIDE PANELS LEFT + RIGHT	65114241		•	•	•	•																
0417 CASE PANEL (FRONT)	65114243		•	•	•	•																
0418 CONTROL PANEL	65115160		•	•	•	•																
0420 EXPANSION VESSEL SUPPORT	65104696		•	•	•	•																
0423 PLATE WIRE BOX	65114242		•	•	•	•																
0472 GASKET	65114206		•	•	•	•																

HS PREMIUM

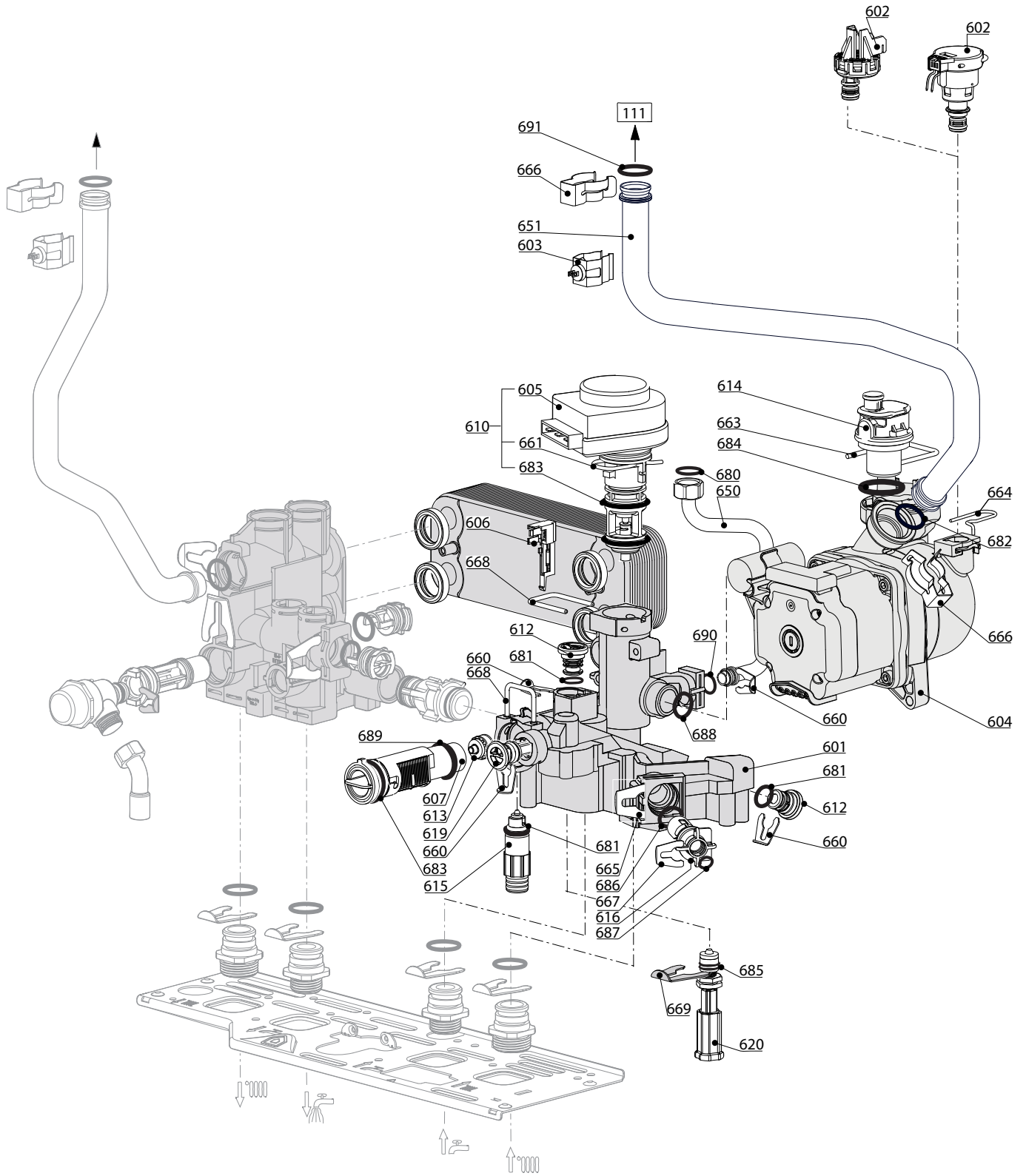
Gas-wall condensing boilers



HS PREMIUM 24 EU
HS PRE. 24 EU (NG/L PG)
HS PREMIUM 30 EU
HS PRE. 30 EU (NG/L PG)

31

☰	Description	Manf. Pt. N	Type																			From to	
				1	2	3	4	5	6	7	8	9	10	11	12	13	14	15	16	17	18		
0500	FLOW GROUP																						
0501	FLOW GROUP	60001953		●	●	●	●																
0502	TEMPERATURE PROBE + CLIP	990686-01		●	●	●	●																
0503	PRESSURE RELIEF VALVE (3 BAR)	61312668		●	●	●	●																
0507	SANITARY HEAT EXCHANGER (12 P.)	65116314		●	●	●	●																
0512	PLUG	65104445		●	●	●	●																
0514	BY-PASS	65104336		●	●	●	●																
0521	HYDRAULIC GROUP SUPPORT	65114219		●	●	●	●																
0550	PIPE (SAFETY VALVE OUTLET)	60001955		●	●	●	●																
0551	HEATING FLOW BEND	65114245		●	●																		
	HEATING FLOW BEND	65115156					●	●															
0552	BY-PASS PIPE	65104340		●	●	●	●																
0560	CLIP D10	65104260		●	●	●	●																
0562	CLIP D18	65104259		●	●	●	●																
0565	CLIP	60000309		●	●	●	●																
0581	O-RING 17.96X2.62	65104337		●	●	●	●																
0582	O-RING 17.86X2.62	61308091		●	●	●	●																
0583	O-RING 15.54X2.62	65104325		●	●	●	●																
0585	O-RING 17.04X3.53	65104262		●	●	●	●																
0588	EXCHANGER GASKET	65104334		●	●	●	●																

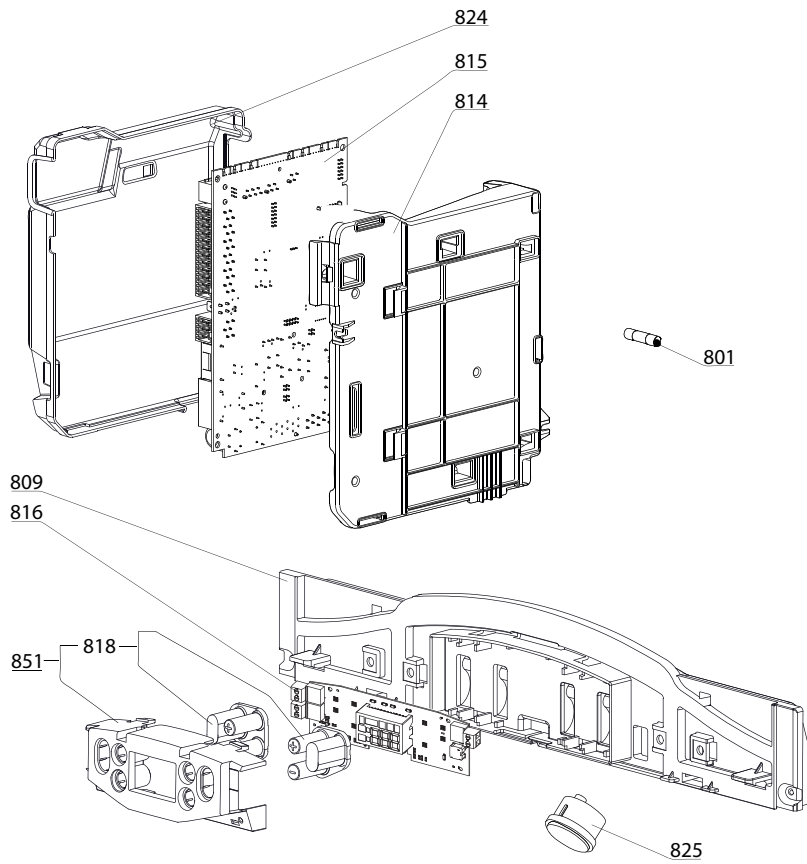


HS PREMIUM 24 EU
 HS PREC. 24 EU (NG/L PG)
 HS PREMIUM 30 EU
 HS PREC. 30 EU (NG/L PG)

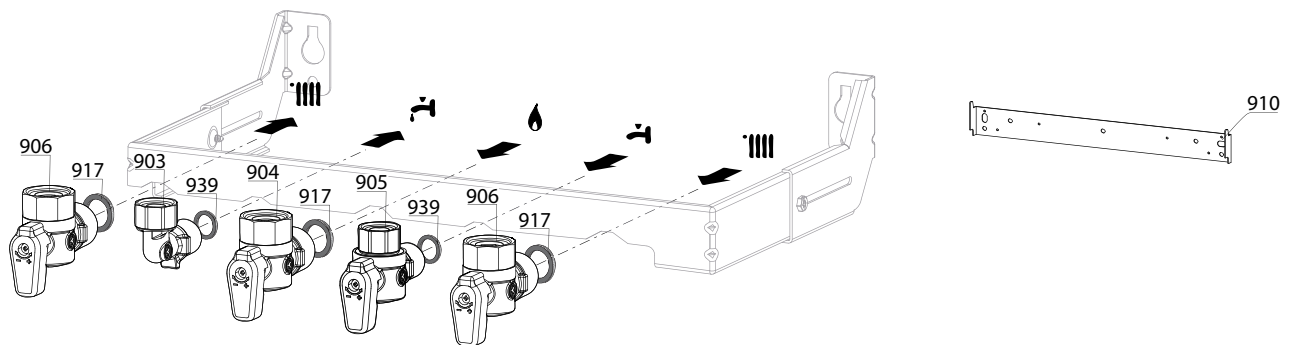
31

☉⇒	Description	Manf. Pt. N	Type	<div style="font-size: x-small; display: flex; justify-content: space-between; margin: 0; padding: 0;"> 123456789101112131415161718 </div>																		From	to
				0600	RETURN GROUP																		
0601	RETURN GROUP	65104335		●	●	●	●																
0602	LOW PRESSURE SWITCH	65105090		●	●	●	●																
0603	TEMPERATURE PROBE + CLIP	990686-01		●	●	●	●																
0604	PUMP 5M PWM ENER+	60001947-01	ENER +	●	●	●	●																
0605	MOTOR (3-WAY VALVE)	61302483-01		●	●	●	●																
0606	SENSOR (REED)	65104323		●	●	●	●																
0607	FLOW METER	65104317		●	●	●	●																
0610	MOTOR+SPRING 3 WAY VALVE KIT	60001583-01		●	●	●	●																
0612	PLUG	65104377		●	●	●	●																
0613	RIDUCTORS (KIT)	65104318		●	●	●	●																
0614	AUTO AIR VENT - TACO ENER+	65112086	ENER +	●	●	●	●																
0615	KIT DRAIN SCREW	60001385		●	●	●	●																
0616	WATER FILTER	60001372		●	●	●	●																
0619	CHECK VALVE CARTRIDGE	65105323		●	●	●	●																
0620	FILLING TAP KIT	65114261		●	●	●	●																
0650	PIPE (EXPANSION VESSEL)	65114246		●	●	●	●																
0651	HEATING RETURN TUBE	65114244		●	●																		
	HEATING RETURN TUBE	65115157				●	●																
0660	CLIP D10	65104260		●	●	●	●																
0661	CLIP	65104332		●	●	●	●																
0663	U-CLIP	65104704		●	●	●	●																
0664	CLIP	65104322		●	●	●	●																
0665	CLIP	65104331		●	●	●	●																
0666	CLIP	60000309		●	●	●	●																
0667	CLIP D:6	65100680		●	●	●	●																
0668	CLIP	65104316		●	●	●	●																
0669	CLIP D:12	65104339		●	●	●	●																
0680	GASKET 3/8 in	573521		●	●	●	●																
0681	O-RING 9.19X2.62	65104313		●	●	●	●																
0682	O-RING 17.04X3.53	65104262		●	●	●	●																
0683	O-RING 23.47X2.62	65104315		●	●	●	●																
0684	O-RING 3X35 EPDM 75 SH	65104705		●	●	●	●																
0685	O-RING 7.65X1.78	65104329		●	●	●	●																
0686	O-RING 15.54X2.62	65104325		●	●	●	●																
0687	O-RING 5.7X1.9	61009834-10		●	●	●	●																
0688	O-RING 21.89X2.62	65104320		●	●	●	●																
0689	O-RING 16,5X1,6	65105180		●	●	●	●																
0690	O-RING 8.9X2.7	61009834-14		●	●	●	●																
0691	O-RING 17.86X2.62	61308091		●	●	●	●																

800



900



5000

5001

- Gas conv. LPG G30/G31
- Transf. gaz GPL G30/G31
- Trasf. gas GPL G30/G31
- Transf. gas GLP G30/G31
- Flussiggas Umstellset
- F-gas G30/G31
- Ombouwset
- LPG G30/G31

5020

- Accessories
- Options
- Opzioni
- Accessorio
- Zubehör
- Opties

LIST OF THE ABBREVIATIONS

HW	: Hot water.
CW	: Cold water.
C	: Ceramic resistance (normal heating).
Ca	: Ceramic resistance (accelerated heating)
TP	: Immersion heater.
1F	: With fittings.
2F	: Without fittings.
3F	: With fittings and another outlet connection.
AMI	: With mixing valve.
SMI	: Without mixing valve.
PUISS	: Power of th appliance.
PN	: Appliance with normal pression.
LP	: Appliance with low pression.
PV	: Appliance with variable power.
PF	: Appliance with fixed power.

IDENTIFICATION PLATE

SERIAL NUMBER

10 Characters :	04 05 125 011	Sequential number
		Manufacturing day
		Year of manufacture
11 Characters :	1 95 065004 - 31	Technical number of the appliance
Month of manufacture :		Sequential number
from 1 to 9 → Jan. to Sep.,		Year of manufacture
O → Oct., N → Nov.,		
D → Dec.		
19 Characters :	08 05 0013199 900640031	Product reference
Year of manufacture		Sequential number
Month of manufacture		
20 Characters :	3675007 XX 2 07 070 00315	Sequential number
Product reference		Manufacturing day
Millenium of manufacture		Year of manufacture
21 Characters :	3675007 XX 07 070 0000315	Sequential number
Product reference		Manufacturing day
Year of manufacture		