



**ARISTON**

# SPARE PARTS EXPLODED VIEW GAS-STANDING CONDENSING BOILER

Model

## **GENUS PREMIUM EVO FS-SOLAR EU**

R8217173-02 - 04/08/2017

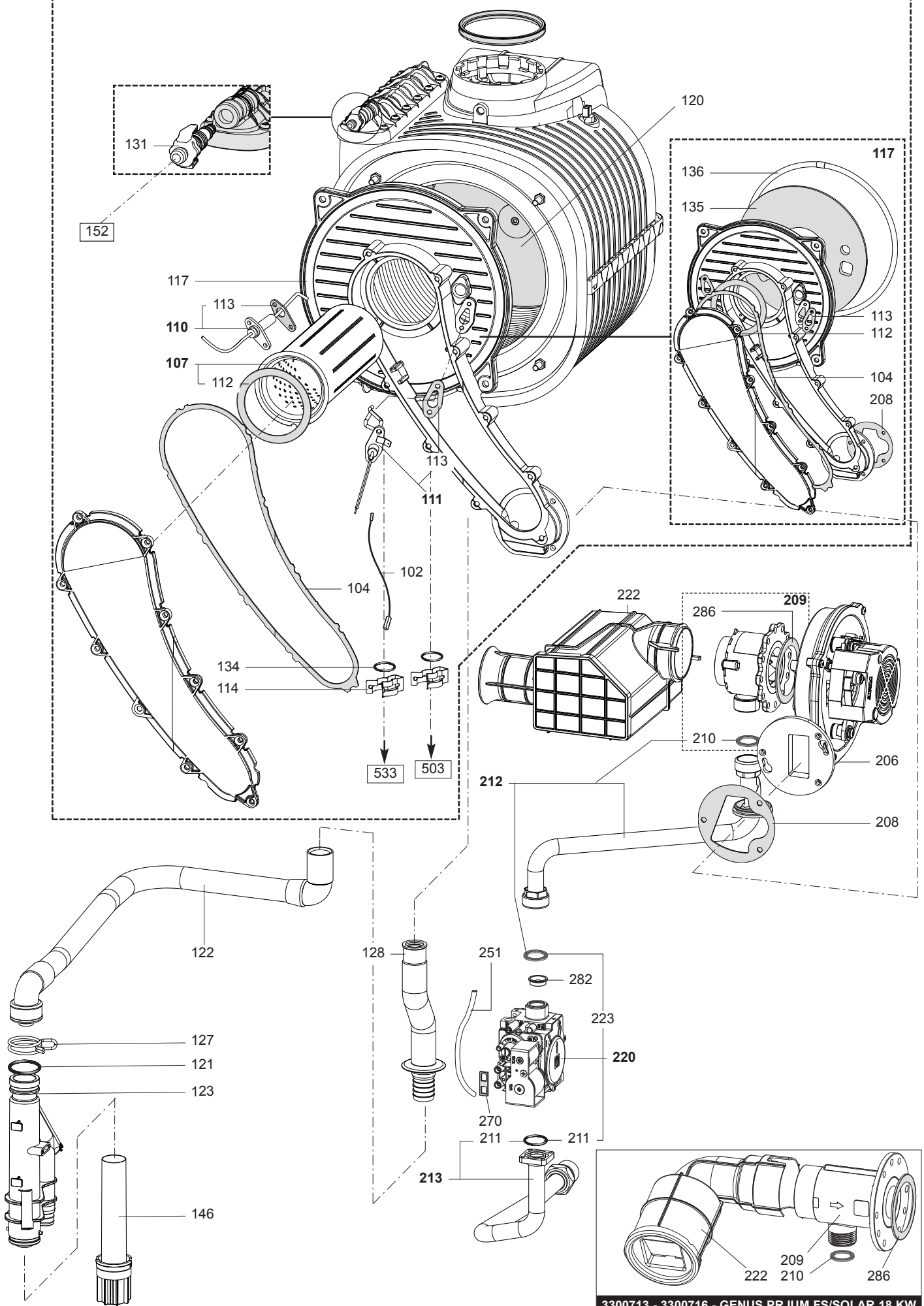
GENUS PREMIUM EVO FS-SOLAR EU

Gas-standing condensing boiler

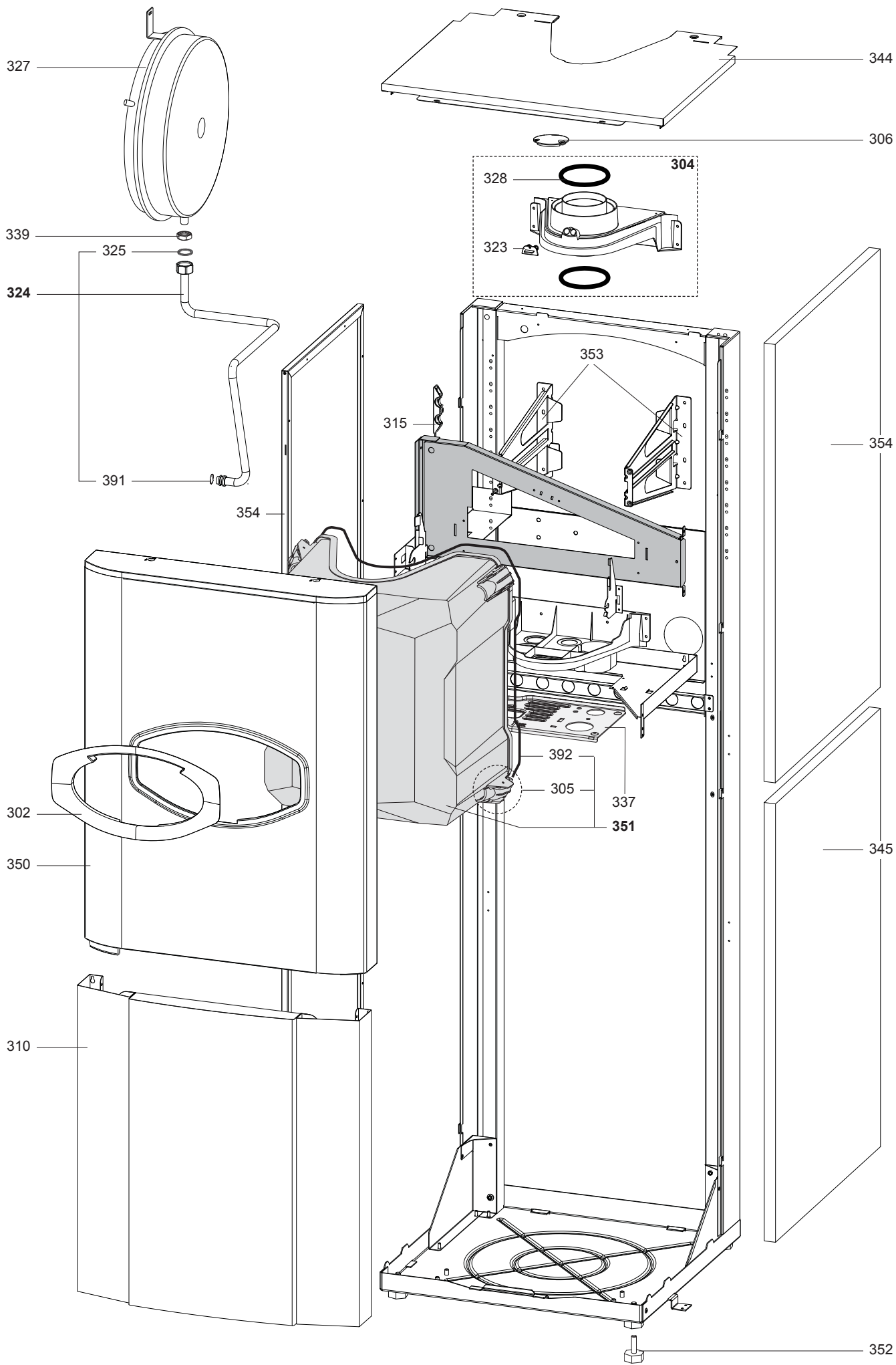
1	3300713	GENUS PREMIUM EVO FS 18 EU	05-2015	-
2	3300714	GENUS PREMIUM EVO FS 25 EU	05-2015	-
3	3300715	GENUS PREMIUM EVO FS 35 EU	05-2015	-
4	3300716	GENUS PREMIUM EVO SOLAR FS 18 EU	05-2015	-
5	3300717	GENUS PREMIUM EVO SOLAR FS 25 EU	05-2015	-
5	3300718	GENUS PREMIUM EVO SOLAR FS 35 EU	05-2015	-
Col	Reference	Model type	Begin	End

100  
200

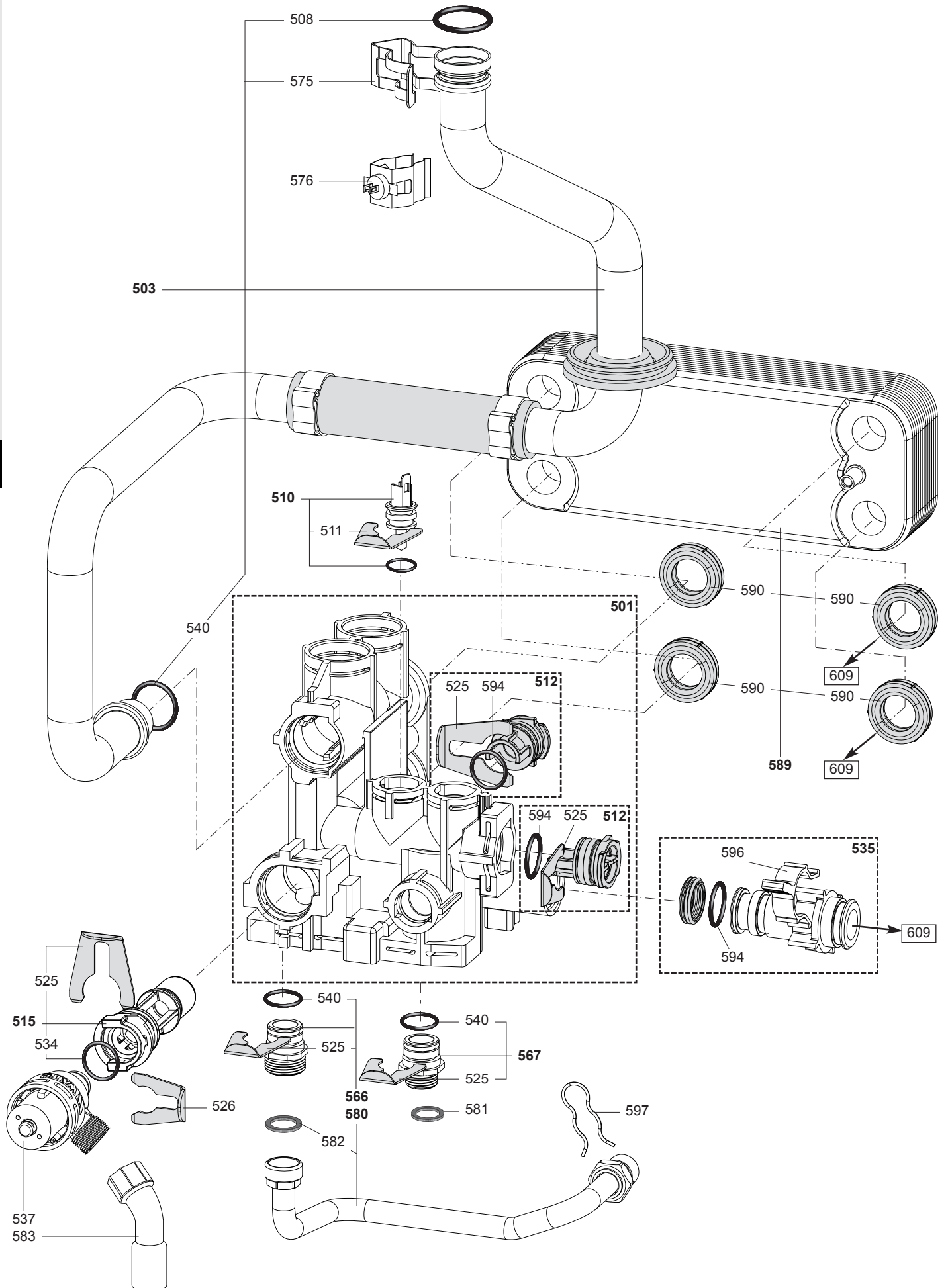
101



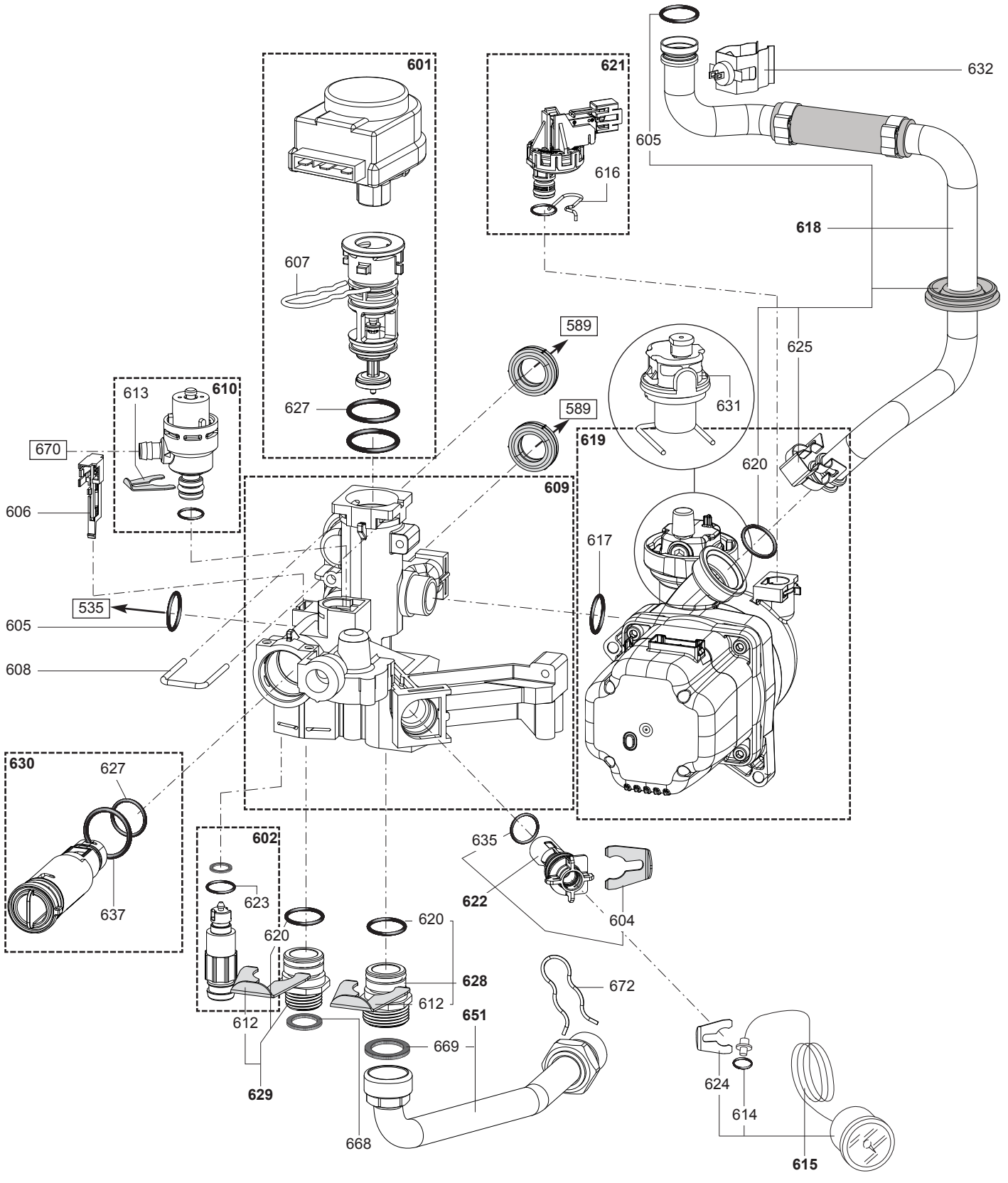
☉⇒	Description	Manf. Pt. N	Type																			From	to
				1	2	3	4	5	6	7	8	9	10	11	12	13	14	15	16	17	18		
<b>0100</b>	<b>SEALED CASE</b>																						
0101	MAIN EXCHANGER (18 KW)	65113178		•				•															
	MAIN EXCHANGER (24 KW)	65113220			•	•		•															
	MAIN EXCHANGER (35 KW)	65113044																	•				
0102	CABLE (IGNITION ELECTRODE)	60000527		•	•	•	•	•	•	•													
0104	GASKET	60001609		•	•	•	•	•	•	•													
0107	BURNER 18/24KW	60000288-01		•	•	•	•	•	•														
	BURNER 35KW	60001913																	•				
0110	IONIZATION ELECTRODE	60000867-01		•	•	•	•	•	•	•													
0111	IGNITION ELECTRODE	60000868-01		•	•	•	•	•	•	•													
0112	GASKET (BURNER-1.8X80.6 MM)	65113055		•	•	•	•	•	•	•													
0113	GASKET (IGNITION ELECTRODE)	60000286-01		•	•	•	•	•	•	•													
0114	CLIP	60000309		•	•	•	•	•	•	•													
0117	DOOR ASSY	65111604		•	•	•	•	•	•	•													
0120	PANEL (INSULATION - REAR)	65114477		•	•	•	•	•	•	•													
0121	OR 2.5X28 EPDM 75SH	65113090		•	•	•	•	•	•	•													
0122	DISCHARGE PIPE (CONDENSATE)	65113080		•	•	•	•	•	•	•													
0123	TRAP	60001949-01		•	•	•	•	•	•	•													
0127	STRAP	60000533		•	•	•	•	•	•	•													
0128	PIPE (CONDENSATE-RUBBER)	65113059		•	•	•	•	•	•	•													
0131	AIR SEPARATOR	60000994		•	•	•	•	•	•	•													
0134	O-RING 17.86X2.62	61308091		•	•	•	•	•	•	•													
0135	PANEL (INSULATION)	65105773		•	•	•	•	•	•	•													
0136	DOOR GASKET	60000623		•	•	•	•	•	•	•													
0146	TRAP	60000987-01		•	•	•	•	•	•	•													
0152	SILICONE TUBE D: 8x1 L: 0.15M	60001013		•	•	•	•	•	•	•													
<b>0200</b>	<b>GAS SECTION</b>																						
0206	FAN ASSY	60001869		•	•	•	•	•	•	•													
0208	GASKET	60001931		•	•	•	•	•	•	•													
0209	VENTURI G20 12-18 KW	60001918		•				•															
	VENTURI G20 25 KW	60001915			•	•		•															
	VENTURI G20 35-38 KW	60001917																	•				
0210	GASKET 3/4"	573520		•	•	•	•	•	•	•													
0211	O-RING 22.22X2.62	65104304		•	•	•	•	•	•	•													
0212	PIPE (MIX)	65113032																	•				
	PIPE (MIXE)	65113179		•				•															
	PIPE (MIXE)	65113221			•	•		•															
0213	PIPE (GAS INLET)	65113084		•	•	•	•	•	•	•													
0220	GAS VALVE	60001612		•	•	•	•	•	•	•													
0222	SILENCER	65111609		•				•															
	SILENCER	65113062			•	•		•		•													
0223	SHEET GASKET D: 24-18.2-1.5	60022835-01		•	•	•	•	•	•	•													
0251	RUBBER PIPE EPDM 5X8	65113038		•	•	•																	
	RUBBER PIPE EPDM 5X8X400	65113110								•	•	•	•										
0270	GASKET (SPARK GENERATOR)	574279		•	•	•	•	•	•	•													
0282	GAS RESTRICTOR D: 3.80	60001920		•				•															
	GAS RESTRICTOR D: 6.40	60001923			•	•			•														
	GAS RESTRICTOR D: 7.50	60001925																	•				





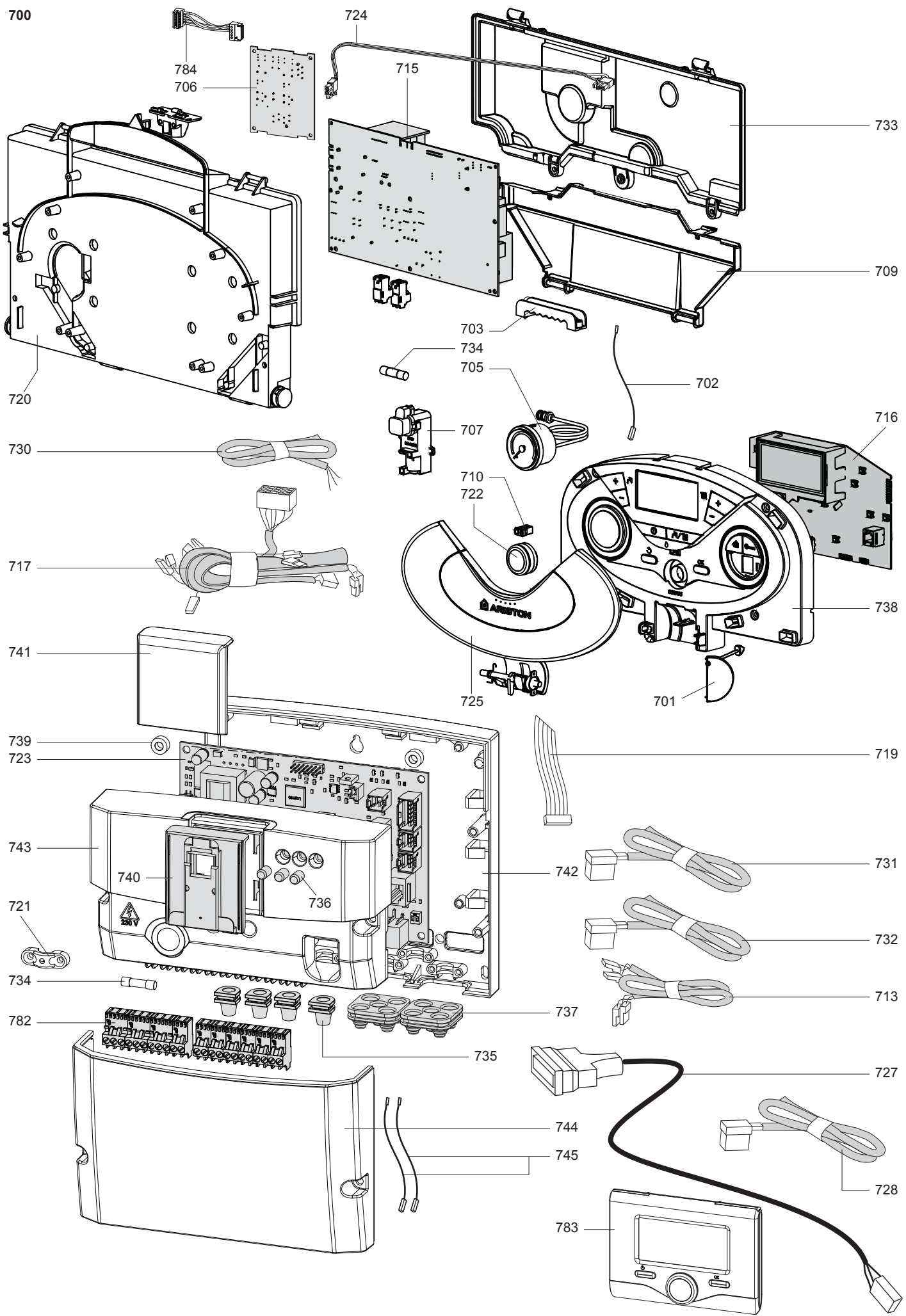




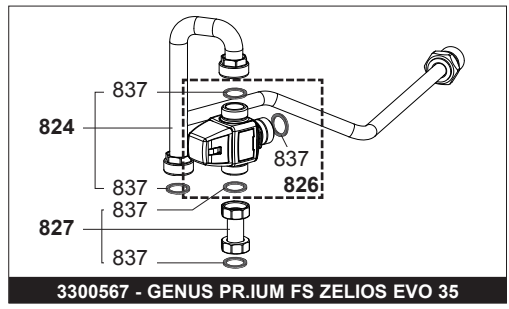
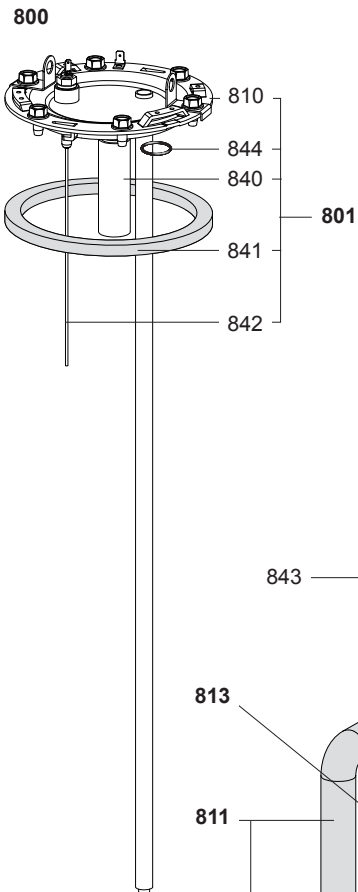




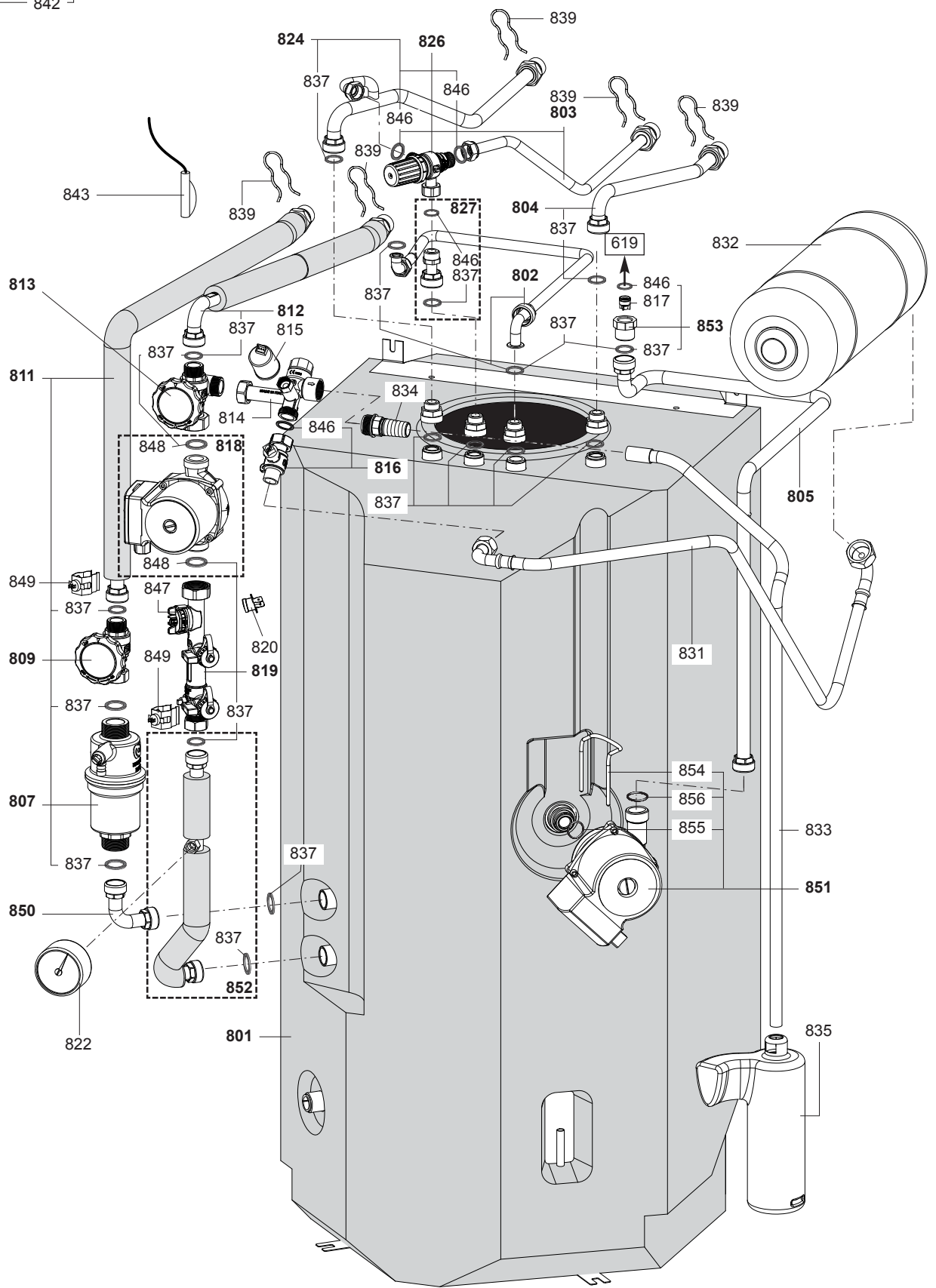




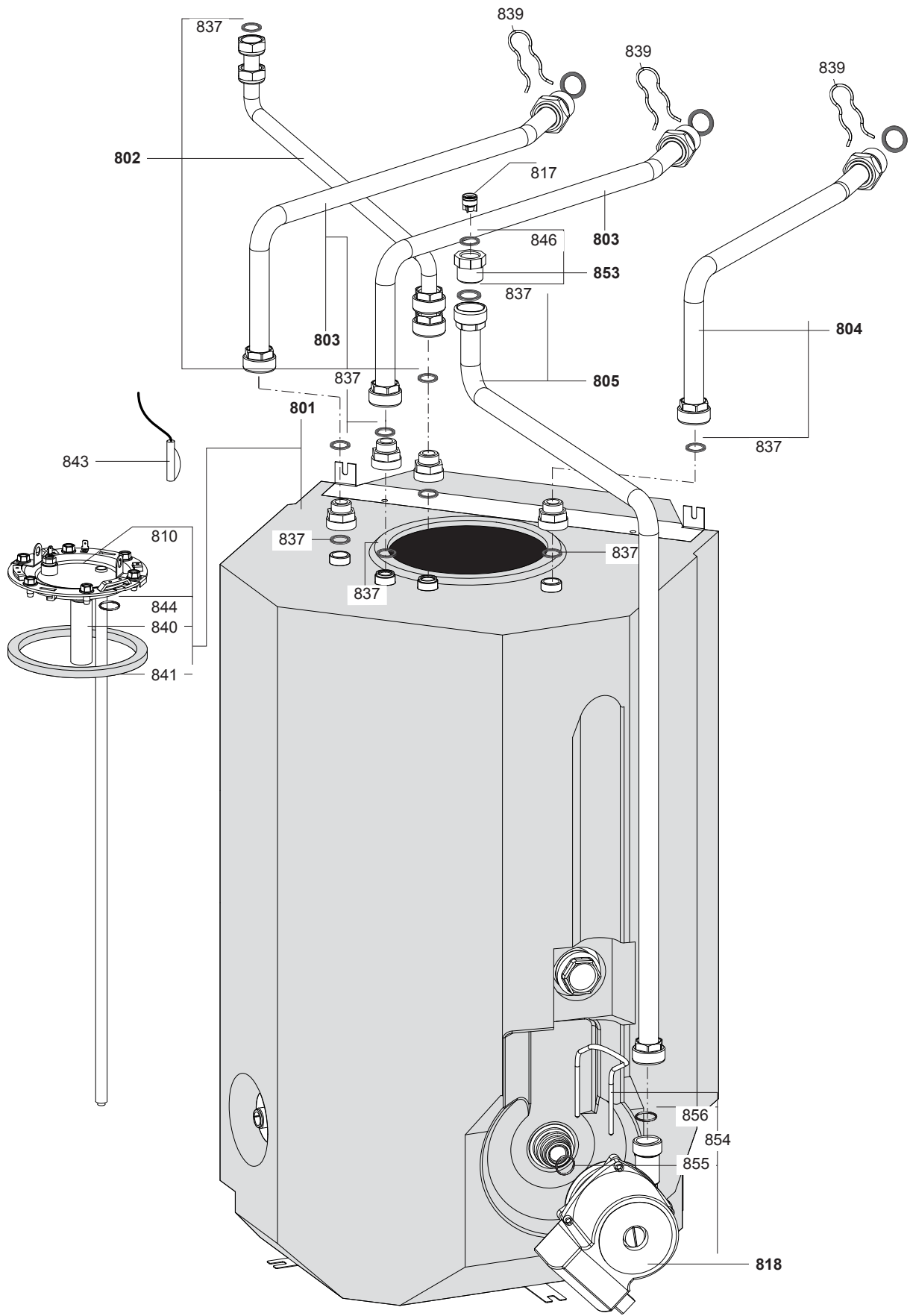




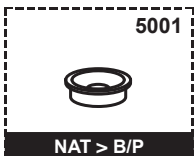
3300567 - GENUS PR.IUM FS ZELIOS EVO 35







5000





## LIST OF THE ABBREVIATIONS

HW .....	: Hot water.
CW .....	: Cold water.
C .....	: Ceramic resistance (normal heating).
Ca .....	: Ceramic resistance (accelerated heating)
TP .....	: Immersion heater.
1F .....	: With fittings.
2F .....	: Without fittings.
3F .....	: With fittings and another outlet connection.
AMI .....	: With mixing valve.
SMI .....	: Without mixing valve.
PUISS .....	: Power of th appliance.
PN .....	: Appliance with normal pression.
LP .....	: Appliance with low pression.
PV .....	: Appliance with variable power.
PF .....	: Appliance with fixed power.

## IDENTIFICATION PLATE

### SERIAL NUMBER

<b>10 Characters :</b>	04 05 125 011	Sequential number
		Manufacturing day
		Year of manufacture
<b>11 Characters :</b>	1 95 065004 - 31	Technical number of the appliance
Month of manufacture :		Sequential number
from 1 to 9 → Jan. to Sep.,		Year of manufacture
O → Oct., N → Nov.,		
D → Dec.		
<b>19 Characters :</b>	08 05 0013199 900640031	Product reference
Year of manufacture		Sequential number
Month of manufacture		
<b>20 Characters :</b>	3675007 XX 2 07 070 00315	Sequential number
Product reference		Manufacturing day
Millenium of manufacture		Year of manufacture
<b>21 Characters :</b>	3675007 XX 07 070 0000315	Sequential number
Product reference		Manufacturing day
Year of manufacture		