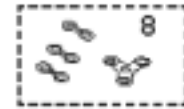
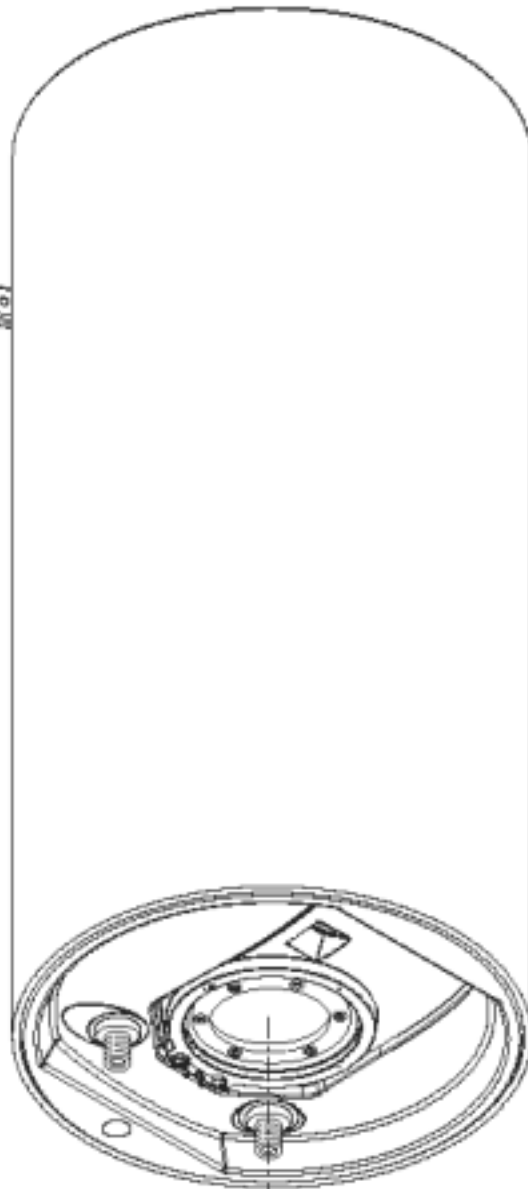


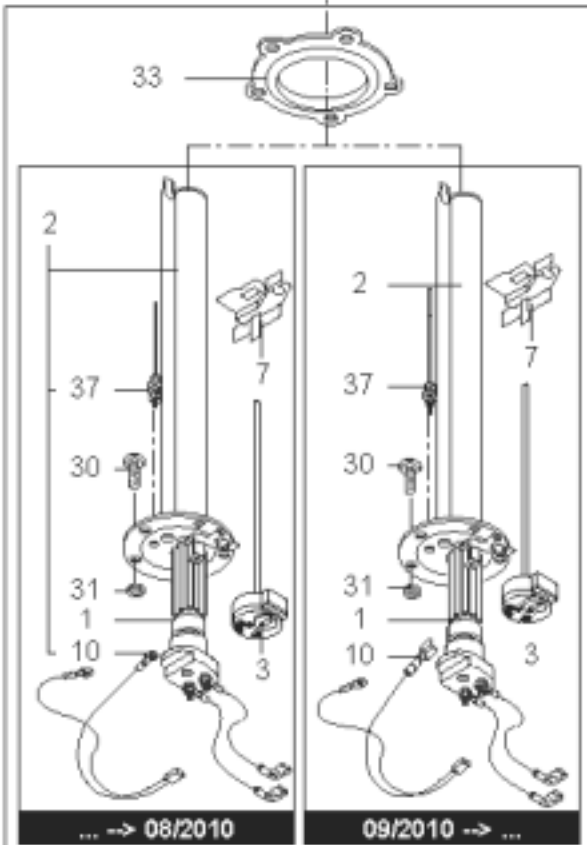
5002



33

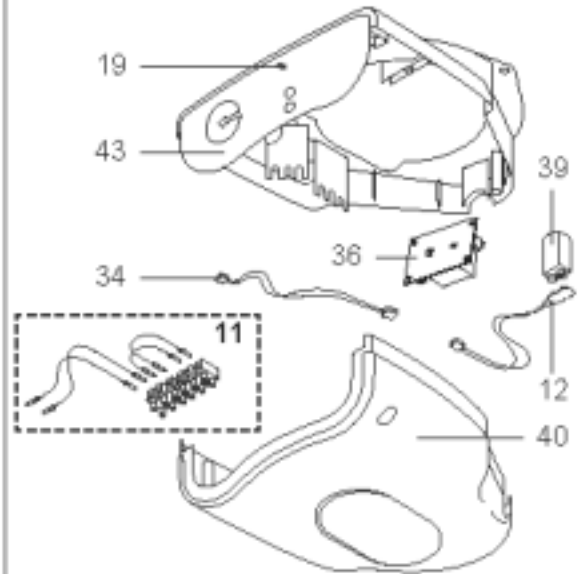


33



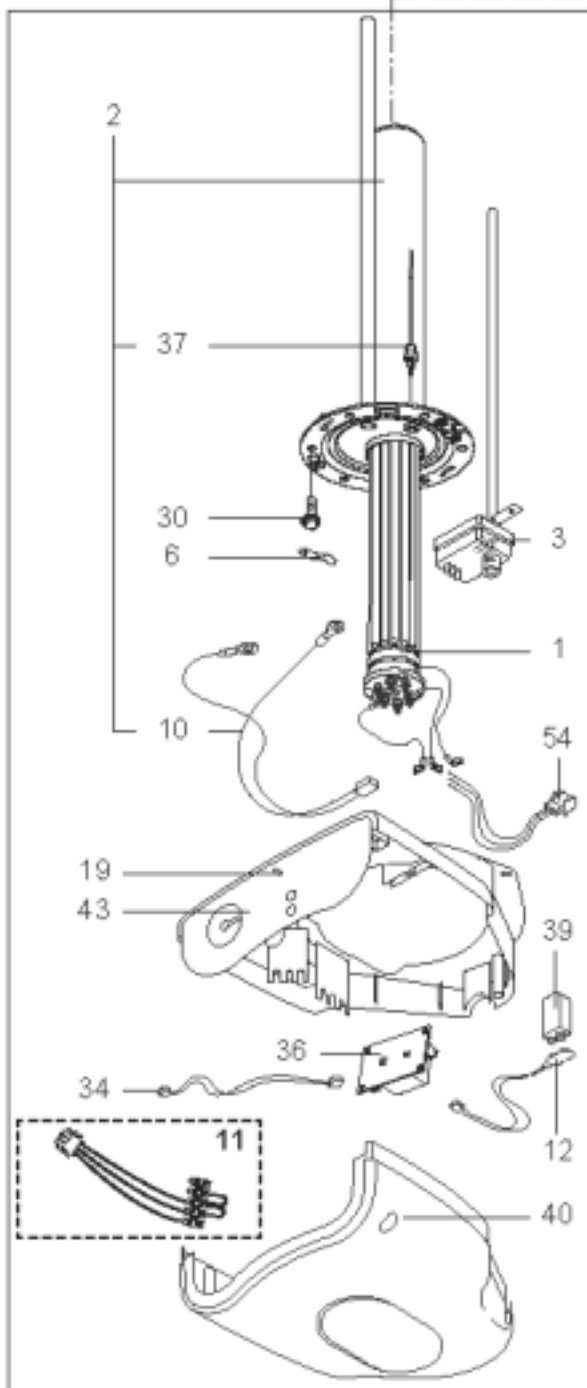
... -> 08/2010

09/2010 -> ...



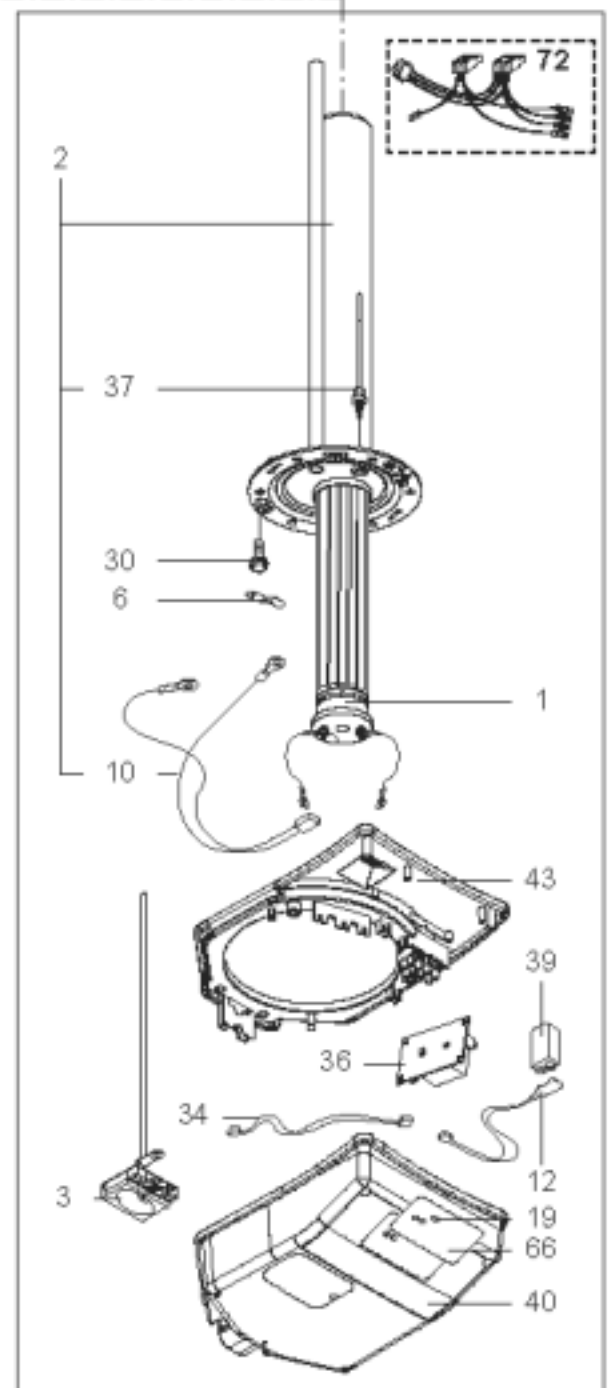
75L MONO

2



150-200L TRI

2



100 -> 200L MONO