



ARISTON

SPARE PARTS EXPLODED VIEW GAS WALL BOILERS

Model

GENUS 23/27/33 M/MI/MFFI/RI/RFFI

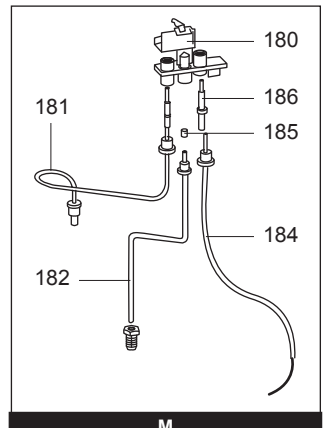
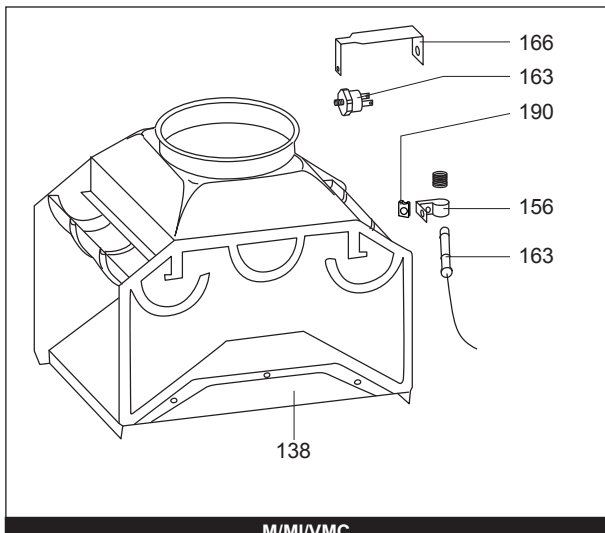
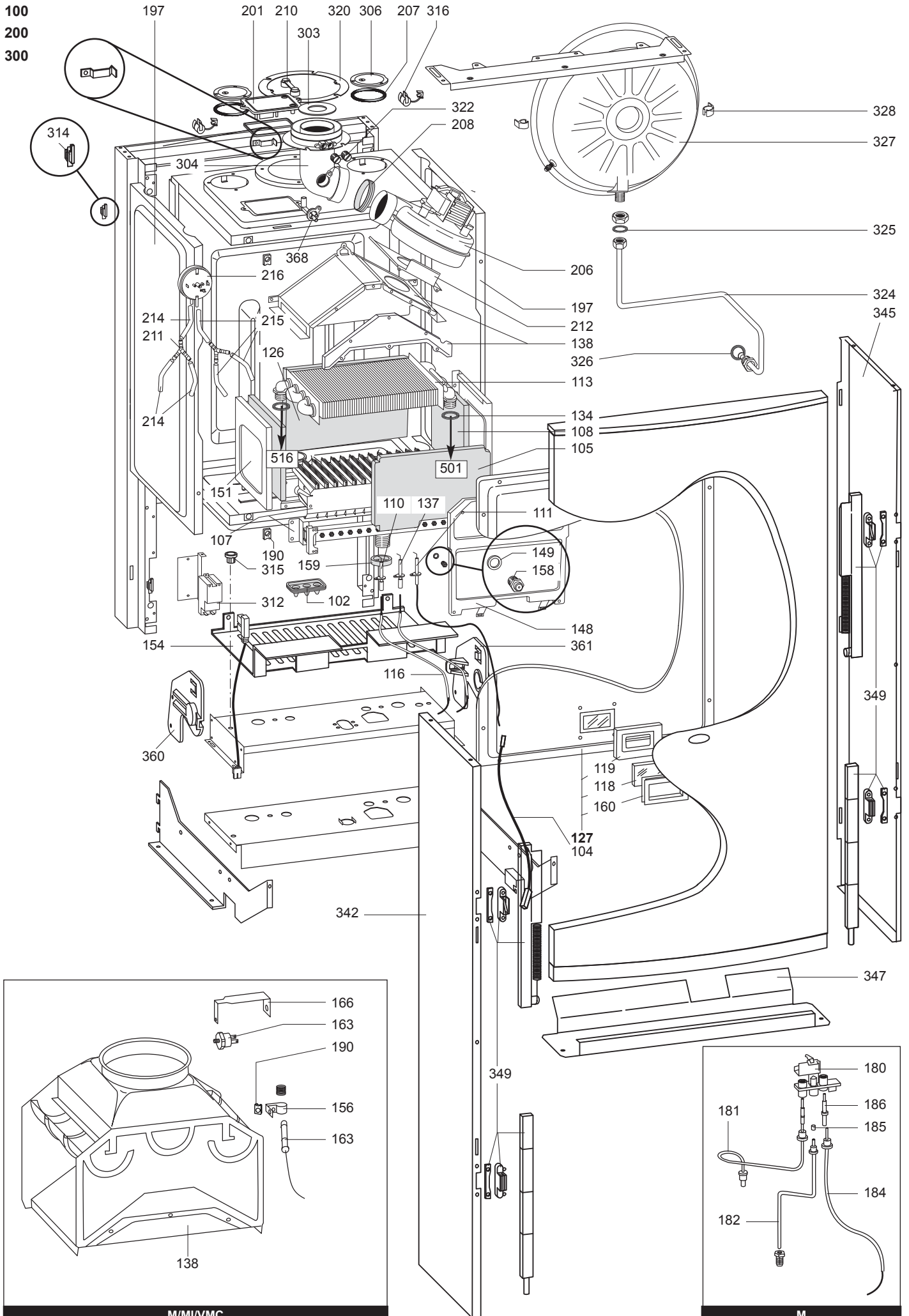
R8216767-03 - 02/05/2012

GENUS 23/27/33 M/MI/MFFI/RI/RFFI

Domestic Gas Boilers

1	534620	GENUS 23 M MET F	07-1997	03-2005
1	534621	GENUS 23 M GPL F	07-1997	03-2005
2	534509	GENUS 23 MI MET F	07-1996	05-2001
2	534510	GENUS 23 MI GPL F	07-1996	05-2001
3	534497	GENUS 23 RI MET F	07-1996	05-2001
3	534498	GENUS 23 RI GPL F	07-1996	05-2001
4	534513	GENUS 23 MFFI MET F	07-1996	05-2001
4	534514	GENUS 23 MFFI GPL F	07-1996	05-2001
5	534503	GENUS 23 RFFI MET F	07-1996	05-2001
5	534504	GENUS 23 RFFI GPL F	07-1996	05-2001
6	534511	GENUS 27 MI (FR,BE) MET	07-1996	05-2001
6	534512	GENUS 27 MI GPL F	07-1996	05-2001
7	534499	GENUS 27 RI MET F	07-1996	05-2001
7	534500	GENUS 27 RI GPL F	07-1996	05-2001
8	534515	GENUS 27 MFFI MET F	07-1996	05-2001
8	534516	GENUS 27 MFFI GPL F	07-1996	05-2001
9	534505	GENUS 27 RFFI MET F	07-1996	05-2001
9	534506	GENUS 27 RFFI GPL F	07-1996	05-2001
10	535158	GENUS 33 MFFI (F,B) MET	07-1996	05-2001
10	535159	GENUS 33 MFFI (F,B) GPL	07-1996	05-2001
11	534810	GENUS 23 MI VMC (F) MET	07-1996	05-2001
11	534815	GENUS 23 MI VMC (F) GPL	07-1996	05-2001

Col	Reference	Model type	Begin	End
-----	-----------	------------	-------	-----

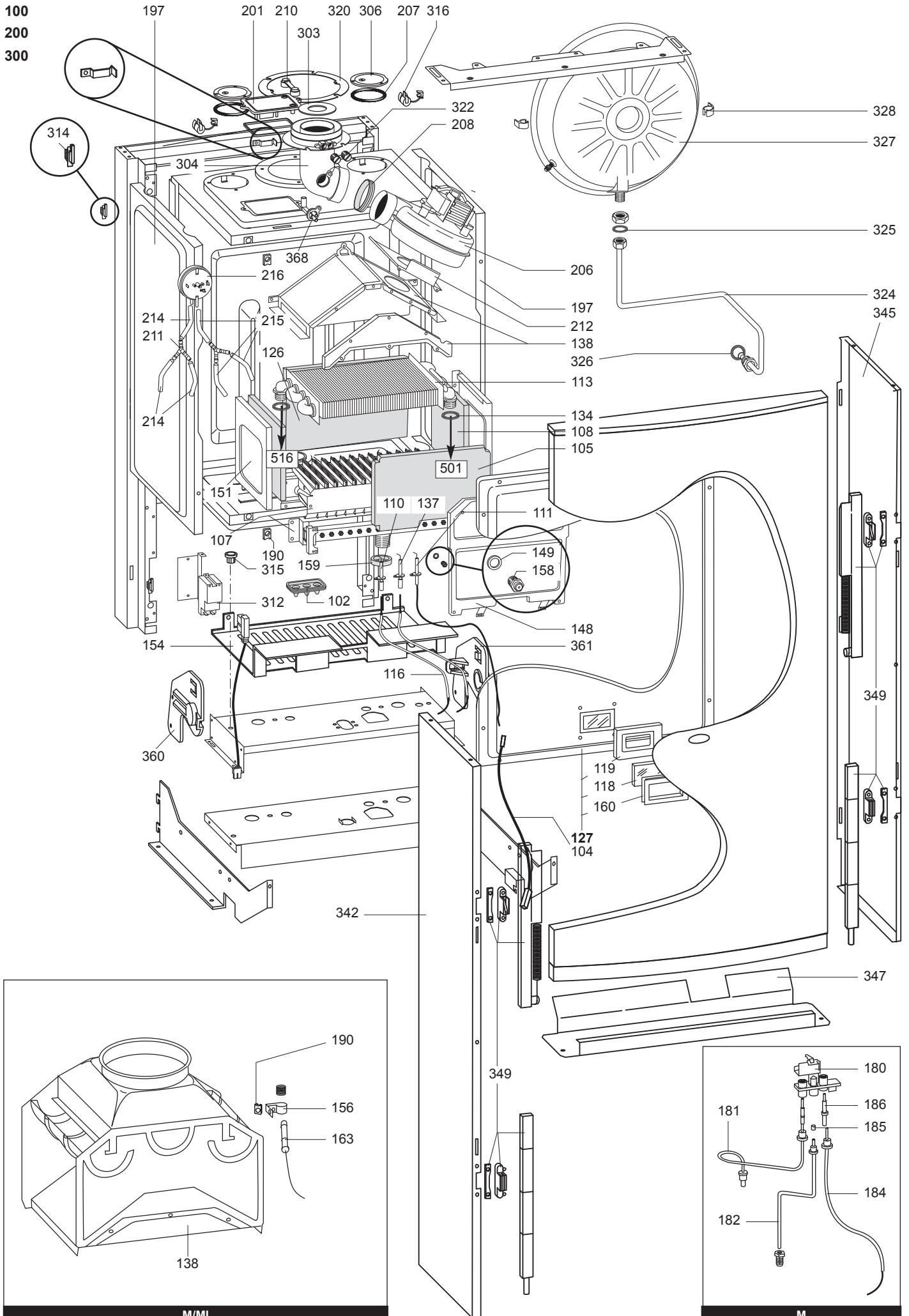


☉	Description	Manf. Pt. N	Type	GENUS 23/27/33 M/MI/MFFI/RI/RFFI																		31
				1	2	3	4	5	6	7	8	9	10	11	12	13	14	15	16	17	18	
0100	SEALED CASE																					
0102	IGNITION ELECTRODE CABLE RUBBER	998147																				
0104	CABLE (DETECTION ELECTRODE/P.C.B.)	571657																				
0105	INSULATION PANEL - FRONT	65102485																				
	INSULATION PANEL - FRONT	998129																				
0107	BURNER 13 RAMP (LPG)	572992	LG																			
	BURNER 13 RAMP (LPG)	996417	LG																03/97			
	BURNER 13 RAMP (LPG)	996417	LG																			
	BURNER 15 RAMP (LPG) 30KW	998111	LG																			
	BURNER 13 RAMP (NATURAL GAS)	574269	NG																04/97			
	BURNER 13 RAMP (NG)	996418	NG																03/97			
	BURNER 13 RAMP (NG)	996418	NG																			
	BURNER 15 RAMP (NATURAL GAS) 30KW	998110	NG																			
0108	INSULATION PANEL - SIDE	998128																				
0110	ELECTRODE (IGNITION L.H.)	569561																				
0111	ELECTRODE (DETECTION)	573441																				
0113	MAIN HEAT EXCHANGER	998138																				
	MAIN HEAT EXCHANGER	998139																				
0116	CABLE (IGNITION ELECTRODE)	571662																				
0118	SIGHT GLASS	573567																				
0119	SIGHT GLASS HOLDER	573566																				
0126	INSULATION PANEL - REAR	998130																				
	INSULATION PANEL - REAR	998132																				
0127	PANEL (COMBUSTION CHAMBER - FRONT)	573344																				
0134	GASKET 3/4	573520																				
0137	ELECTRODE (IGNITION R.H.)	569560																				
0138	FLUE HOOD	573983																				
	FLUE HOOD	573984																				
0148	PANEL - FRONT COMBUSTION CHAMBER	572647																	02/00			
	PANEL - FRONT COMBUSTION CHAMBER	572647																				
	PANEL - FRONT COMBUSTION CHAMBER	997766																	03/00			
0149	BURNER JET WASHER	572138																				
0151	PANEL - L/H COMBUSTION CHAMBER	573243																				
0154	BURNER SCREEN	572842																				
	PROTECTION SCREEN	999411																				
0156	SPRING (FLUE CONTROL PROBE)	571542																				
	SPRING (FLUE CONTROL PROBE)	573349																				
0158	BURNER JET (L.P.G. 0.72)	570251	LG																			
	BURNER JET (L.P.G. 0.77)	998434	LG																			
	BURNER JET (NG 1.25)	570248	NG																			
	BURNER JET (NG 1.30)	998433	NG																			
0159	SILICONE SEAL	569443																				
0160	SIGHT GLASS - GASKET	569442																	02/00			
	SIGHT GLASS - GASKET	65105371																	03/00			
0163	FLUE CONTROL PROBE	995345																				
0165	THERMOSTAT (FUME 60Â°C)	997659																				
0166	BRACKET (FLUE CONTROL PROBE)	998017																				
0180	BURNER (PILOT)	570514																				
0181	THERMOCOUPLE	564961																				
0182	PILOT BURNER PIPE	573229																				
0184	CABLE (IGNITION ELECTRODE)	569558																				
0185	BURNER JET (PILOT)	573654	LG																			
	BURNER JET (PILOT)	573652	NG																			
0186	ELECTRODE (IGNITION)	570475																				
0190	SPRING (FASTENING)	570717																				
0197	PANEL (COMBUSTION CHAMBER - SIDE)	573247																				
0200	FAN ASSEMBLY																					
0201	SUPPORT PLATE	997203																				
0206	FAN	572989																	02/00			
	FAN	572990																				
	FAN	998807																	03/00			
0207	FLUE GASKET	65101484																	04/97			
0208	GASKET (FAN)	573343																				
0210	AIR INTAKE COVER	573329																				
0211	Y PIECE (AIR PRESSURE)	573327																				
0212	FIXING PLATE - FAN	573465																				
	FIXING PLATE - FAN	992047																				
0214	COMPENSATION TUBE	573576																				
0215	SILICONE PIPE	569662																				
0216	AIR PRESSURE SWITCH 75 Pa	571651-01																				
	AIR PRESSURE SWITCH 76 Pa	571652-01																				

100
200
300

GENUS 23/27/33 M/MI/MFFI/RI/RFFI

Domestic Gas Boilers

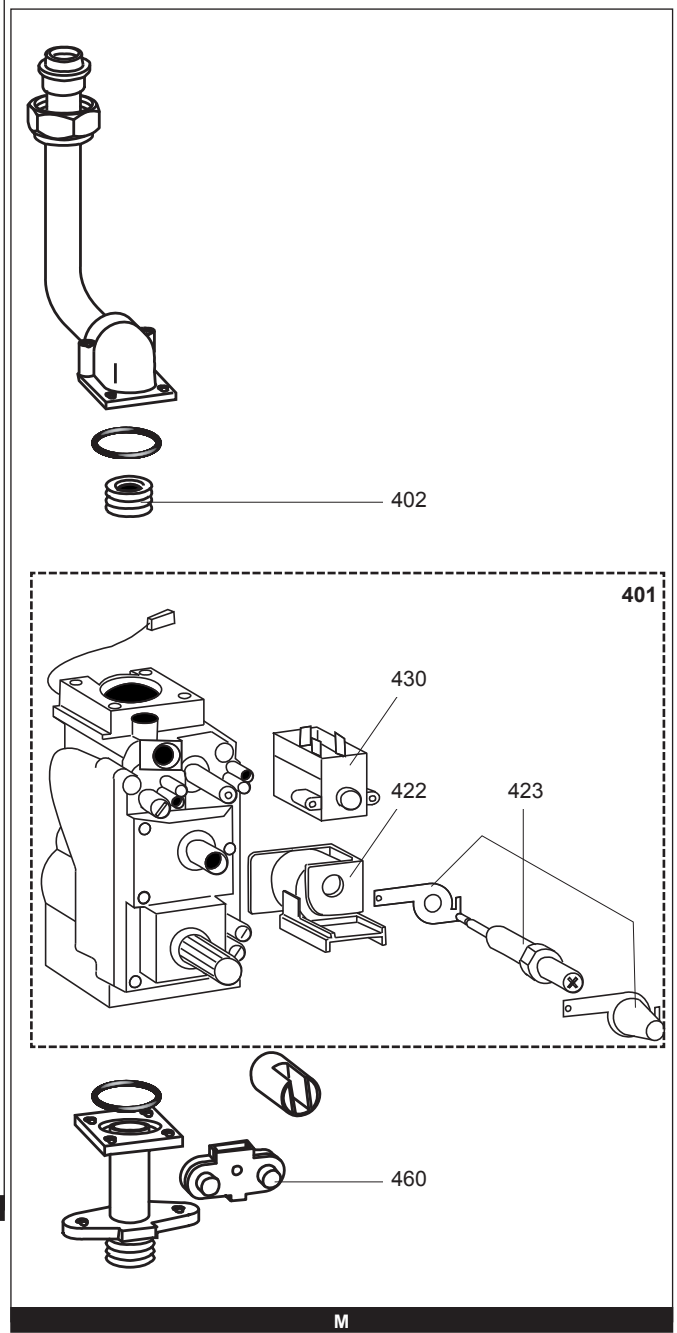
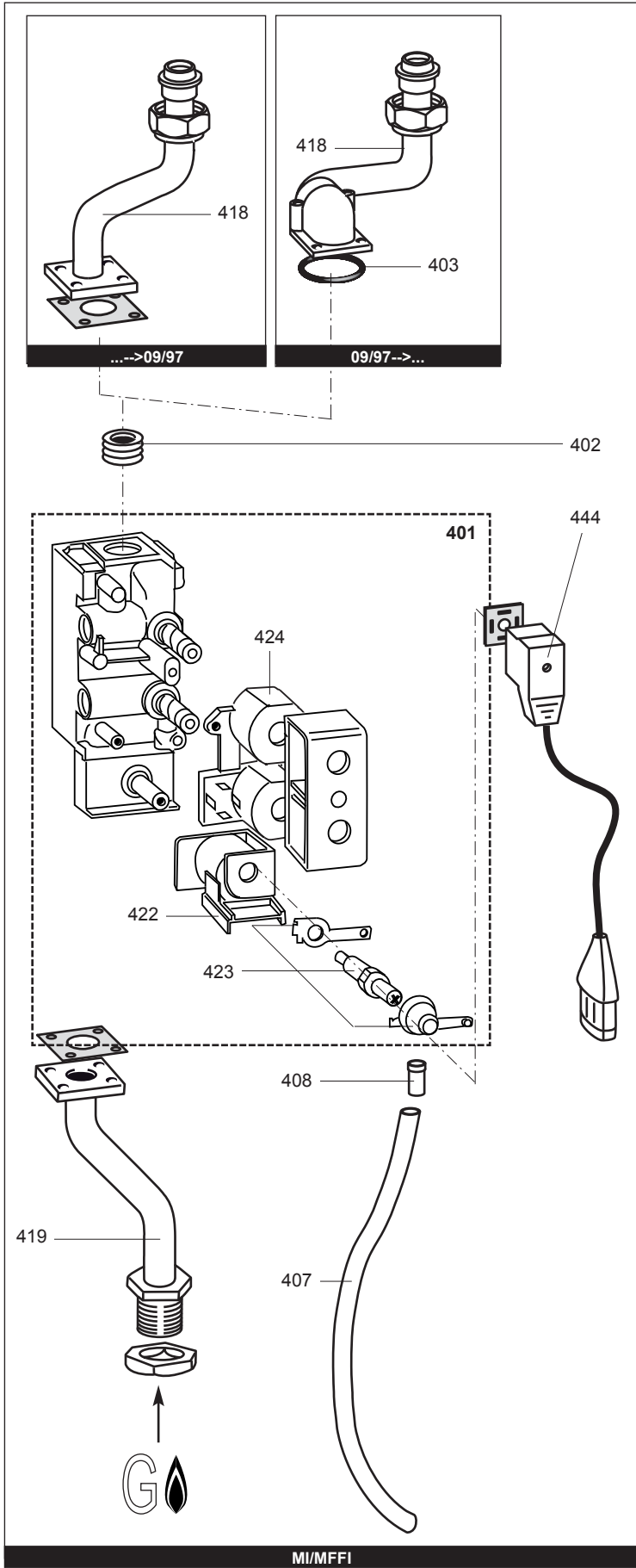


M/MI

M

R8223206

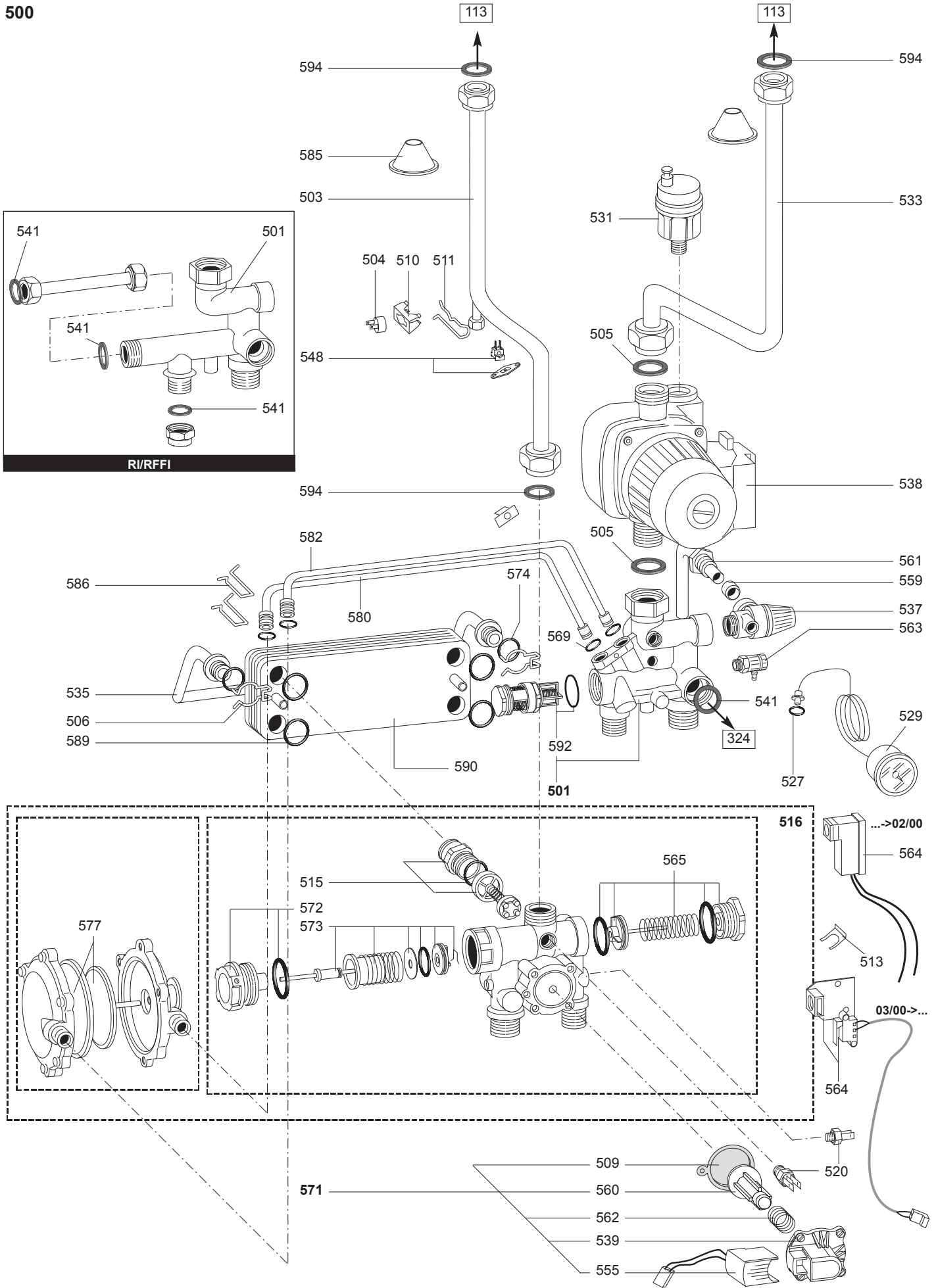
☉⇒	Description	Manf. Pt. N	Type	GENUS 23 M GENUS 23 MI GENUS 23 RI GENUS 23 MFFI GENUS 23 RFFI GENUS 27 MI GENUS 27 RI GENUS 27 MFFI GENUS 27 RFFI GENUS 33 MFFI GENUS 23 MI VMC																		31
				1	2	3	4	5	6	7	8	9	10	11	12	13	14	15	16	17	18	
0300	CHASSIS-FRONT CASE																					
0303	RESTRICTOR (D= 45)	998113																				
0304	FLUE (EXHAUST MANIFOLD / HEADER)	573333					•	•				•	•	•								
0306	COVER PLATE	573330					•	•				•	•	•								
0312	SPARK GENERATOR	573023		•	•	•	•	•	•	•	•	•	•	•	•							
0314	CASING SUPPORT BRACKET (PLASTIC) (QTY 4)	574302		•	•	•	•	•	•	•	•	•	•	•	•							
0315	CABLE HOLDER	570772		•	•	•	•	•	•	•	•	•	•	•	•							
0316	CABLE CLAMP	570561						•					•									
0320	GASKET (FLUE MANIFOLD)	573337					•	•				•	•	•								
0322	FLUE INTAKE PLUG	573326					•	•				•	•	•								
0324	PIPE (EXPANSION VESSEL)	572902			•				•										03/97			
	PIPE (EXPANSION VESSEL)	573311		•			•	•				•	•	•	•							
	PIPE (EXPANSION VESSEL)	573311			•	•			•	•									04/97			
0325	GASKET 3/8	573521		•	•	•	•	•	•	•	•	•	•	•	•							
0326	GASKET 1/2	573528		•	•		•		•			•		•								
0327	EXPANSION VESSEL	573294		•	•	•	•	•	•	•	•	•	•	•	•							
0328	EXPANSION VESSEL INSERT	999679		•	•	•	•	•	•	•	•	•	•	•	•							
0342	CASE PANEL (L.H. SIDE)	573012					•	•				•	•	•								
0345	CASE PANEL (R.H. SIDE)	573011					•	•				•	•	•								
0347	CASE PANEL INSERT	997681			•	•	•	•	•	•	•	•	•						02/00			
	CASE PANEL INSERT	997681		•																		
	CASE DOOR INSERT	997818			•	•	•	•	•	•	•	•	•	•	•				03/00			
0349	FRONT PANEL RUNNER KIT	571993		•	•	•	•	•	•	•	•	•	•	•	•							
0360	SUPPORT BRACKET (L/H)	998042		•	•	•	•	•	•	•	•	•	•	•	•				03/00			
0361	SUPPORT BRACKET (R/H)	998041			•	•	•	•	•	•	•	•	•	•	•				03/00			
0368	VENTURI (EXHAUST/MANIFOLD HEADER)	573314					•	•				•	•	•								



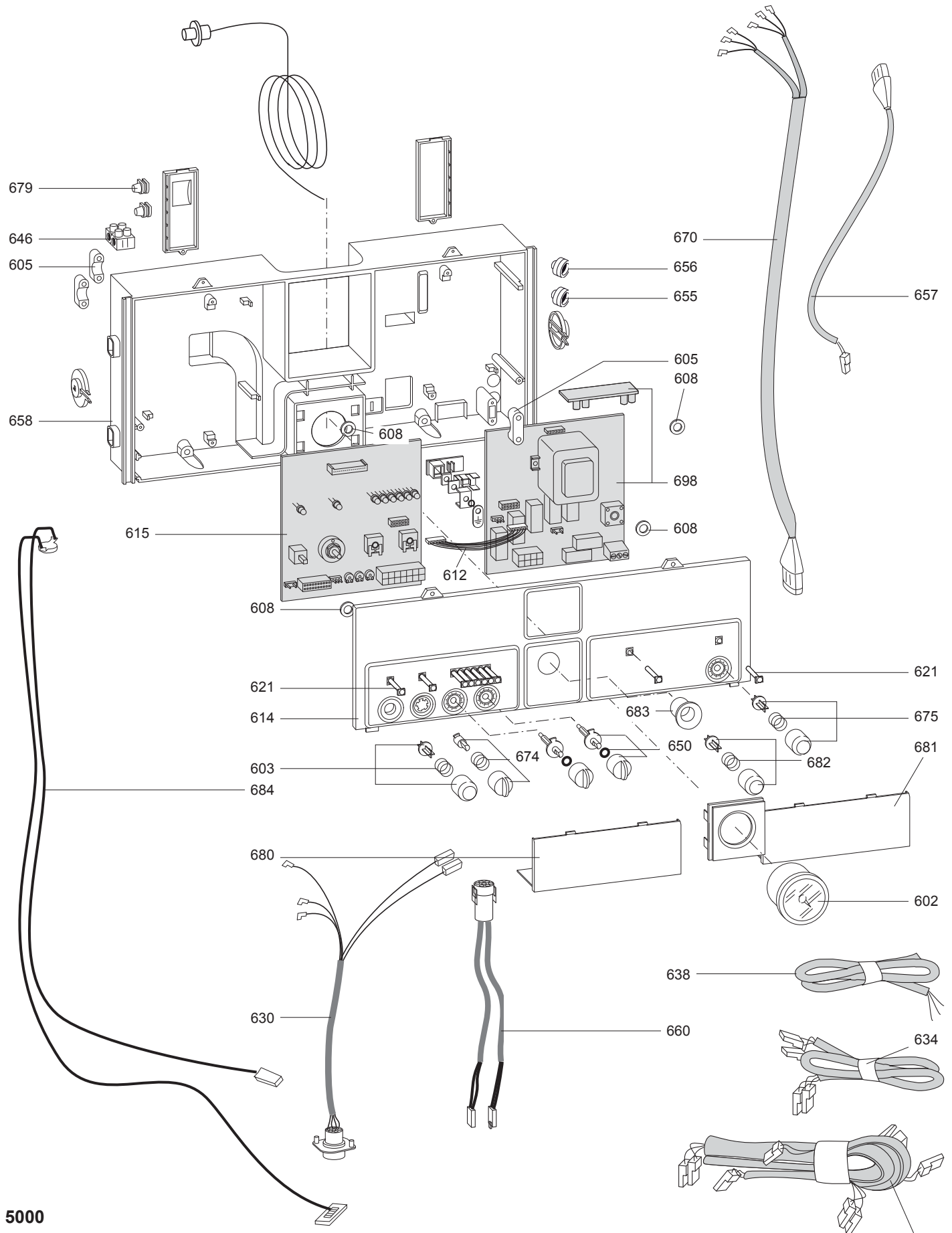
☉⇒	Description	Manf. Pt. N	Type	GENUS 23 M GENUS 23 MI GENUS 23 RI GENUS 23 MFFI GENUS 23 RFFI GENUS 27 MI GENUS 27 RI GENUS 27 MFFI GENUS 27 RFFI GENUS 33 MFFI GENUS 23 MI VMC																		31
				1	2	3	4	5	6	7	8	9	10	11	12	13	14	15	16	17	18	
0400	GAS SECTION																					
0401	GAS VALVE (SIT 825 NOVA)	569942		•																		
	GAS VALVE (TANDEM)	573457			•	•	•	•	•	•	•	•	•	•	•	•	•	•	•			
0402	VALVE GAS DIAPHRAGM	571010	NG	•	•	•	•	•														
	VALVE GAS DIAPHRAGM	995329	NG	•	•	•	•	•														
	VALVE GAS DIAPHRAGM	998471	NG																•			
0403	O-RING GASKET (GAS VALVE)	565048		•																		
	O-RING	571965			•	•	•	•	•	•	•	•	•	•	•	•	•	•	•			
0407	COMPENSATION TUBE	573576																	•			
0408	RIVET	573325					•	•			•	•	•									
0418	PIPE (GAS VALVE/BURNER)	573246			•	•	•	•	•	•	•	•	•	•	•	•	•	•	•			
0419	PIPE (GAS INLET)	997202			•	•	•	•	•	•	•	•	•	•	•	•	•	•	•			
0422	MODUREG COIL (SIT 24V GAS VALVE)	573740		•	•	•	•	•	•	•	•	•	•	•	•	•	•	•	•			
0423	GAS MODULATOR CARTRIDGE	573745		•	•	•	•	•	•	•	•	•	•	•	•	•	•	•	•			
0424	OPERATOR COILS (SIT TANDEM)	570712			•	•	•	•	•	•	•	•	•	•	•	•	•	•	•			
0430	OPERATOR (SECONDARY - SIT VALVE)	573739		•																		
0444	CABLE (GAS VALVE OPERATOR)	999247			•	•	•	•	•	•	•	•	•	•	•	•	•	•	•			
0460	MICROSWITCH (GAS VALVE)	569993		•																		

GENUS 23/27/33 M/MI/MFFI/RI/RFFI

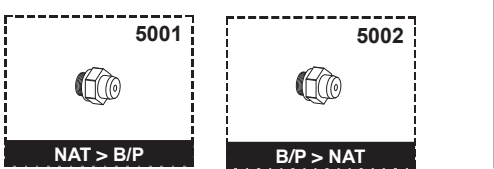
Domestic Gas Boilers



☉→	Description	Manf. Pt. N	Type	GENUS 23/27/33 M/MI/MFFI/RI/RFFI																		31
				1	2	3	4	5	6	7	8	9	10	11	12	13	14	15	16	17	18	
0500	WATER SECTION ASSY																					
0501	3-WAY SPRING KIT	571447					●				●											
	RETURN GROUP	997755				●		●		●		●										
	RETURN GROUP	998072			●		●		●		●		●									
0503	PIPE (MAIN EXCHANGER - 3 WAY GROUP)	997199					●	●														
	PIPE (MAIN EXCHANGER - 3 WAY GROUP)	997200									●	●	●									
0504	THERMOSTAT (OVERHEAT)	571648			●	●	●	●	●	●	●	●	●	●	●	●	●	●	●			
	OVERHEAT THERMOSTAT	996065			●	●	●	●	●	●	●	●	●	●	●	●	●	●	●			
0505	GASKET 1	569387		●	●	●	●	●	●	●	●	●	●	●	●	●	●	●	●			
0506	SPRING (BY-PASS PIPE)	573808			●		●				●											
	SPRING (BY-PASS PIPE)	573808		●							●											
	SPRING (BY-PASS PIPE)	998064			●		●		●		●		●		●		●		●			
0509	DIAPHRAGM (MAIN FLOW SWITCH)	571547		●	●	●	●	●	●	●	●	●	●	●	●	●	●	●	●			
0510	MOUNTING BRACKET (OVERHEAT THERMOSTAT)	997224			●	●	●	●	●	●	●	●	●	●	●	●	●	●	●			
0511	FIXING SPRING	998043			●	●	●	●	●	●	●	●	●	●	●	●	●	●	●			
0513	BRACKET (M/FLOW MICROSWITCH)	573824		●	●	●	●	●	●	●	●	●	●	●	●	●	●	●	●			
0515	CENTRAL HEATING BY-PASS KIT	998490		●	●		●		●		●		●		●		●		●			
0516	3-WAY-PRESSURE GAUGE VALVE GROUP	573293				●		●		●		●										
	3-WAY VALVE	998069		●	●		●		●		●		●		●		●		●			
0520	TEMPERATURE PROBE (C.H.W.)	569236		●	●	●	●	●	●	●	●	●	●	●	●	●	●	●	●			
0527	GASKET 1/4	569390		●	●	●	●	●	●	●	●	●	●	●	●	●	●	●	●			
0529	PRESSURE GAUGE	571649		●	●	●	●	●	●	●	●	●	●	●	●	●	●	●	●			
0531	AUTOMATIC AIR RELEASE VALVE	571639		●	●	●	●	●	●	●	●	●	●	●	●	●	●	●	●			
0533	PIPE (MAIN EXCHANGER - PUMP)	572906											●	●								
	PIPE (MAIN EXCHANGER - PUMP)	573313					●	●														
0535	BY-PASS PIPE	571826			●		●		●													
	BY-PASS PIPE	571826		●																		
	BY-PASS PIPE	998065			●		●		●		●		●		●		●		●			
0537	PRESSURE RELIEF VALVE (1/2" 3 BAR)	573172		●	●	●	●	●	●	●	●	●	●	●	●	●	●	●	●			
0538	KIT FOR VERT. 1 PUMP ATTACHMENTS+JOLLY	996613		●	●	●	●	●	●	●	●	●	●	●	●	●	●	●	●			
0539	TOP CAP (MAIN FLOW SWITCH)	571770		●	●	●	●	●	●	●	●	●	●	●	●	●	●	●	●			
0541	GASKET 1/2	573528		●	●	●	●	●	●	●	●	●	●	●	●	●	●	●	●			
	GASKET 1/2	573528																	●			
0555	MICROSWITCH - MAIN FLOW SWITCH	998172		●	●	●	●	●	●	●	●	●	●	●	●	●	●	●	●			
0559	NUT	998567		●	●		●		●		●		●		●		●		●			
0560	MAGNET (MAIN FLOW SWITCH)	571772		●	●	●	●	●	●	●	●	●	●	●	●	●	●	●	●			
0561	PIPE - PRESSURE RELIEF VALVE	573176		●	●	●	●	●	●	●	●	●	●	●	●	●	●	●	●			
0562	SPRING (MAIN FLOW SWITCH)	571771		●	●	●	●	●	●	●	●	●	●	●	●	●	●	●	●			
0563	DRAIN VALVE	573727		●	●	●	●	●	●	●	●	●	●	●	●	●	●	●	●			
0564	DHW MICRO SWITCH	573340			●		●		●		●		●		●		●		●			
	DHW MICRO SWITCH	573340		●																		
	DHW MICRO SWITCH	998921			●		●		●		●		●		●		●		●			
0565	D.H.W. PRESSURE SWITCH KIT	571442		●	●		●		●		●		●		●		●		●			
0569	O-RING (20-18)	571807		●	●		●		●		●		●		●		●		●			
0571	MAIN FLOW SWITCH KIT	65100519		●	●	●	●	●	●	●	●	●	●	●	●	●	●	●	●			
0572	BUSH WITH SCREWS	996029		●	●		●		●		●		●		●		●		●			
0573	3-WAY SPRING KIT	571447		●	●		●		●		●		●		●		●		●			
0574	O-RING	571449			●		●		●		●		●		●		●		●			
	O-RING	571449		●																		
	O-RING	998077			●		●		●		●		●		●		●		●			
0577	D.H.W. DIAPHRAGM VALVE	571446		●	●		●		●		●		●		●		●		●			
0580	PIPE (MAIN FLOW SWITCH-POSITIVE SIGNAL)	573086					●				●		●		●		●		●			
	PIPE (MAIN FLOW SWITCH - NEGATIVE SIGNAL)	573087		●	●				●													
0582	PIPE (MAIN FLOW SWITCH-POSITIVE SIGNAL)	573086		●	●				●													
	PIPE (MAIN FLOW SWITCH - NEGATIVE SIGNAL)	573087					●				●		●		●		●		●			
0585	SILICONE SEAL	569443					●	●			●	●										
0586	PIPE CLIP	573809		●	●		●		●		●		●		●		●		●			
0589	O-RING 4075 3,53 X 18,64	573825		●	●		●		●		●		●		●		●		●			
0590	DHW HEAT EXCHANGER	571646		●	●		●												●			
	DHW HEAT EXCHANGER	998483							●		●		●		●		●		●			
0592	D.H.W. ACTUATOR KIT	571444																	●			
0594	GASKET 3/4	573520		●	●	●	●		●	●	●		●	●		●		●	●			



5000



☉	Description	Manf. Pt. N	Type	GENUS 23 MI GENUS 23 MI GENUS 23 MI GENUS 23 RI GENUS 23 MFFI GENUS 23 RFFI GENUS 27 MI GENUS 27 RI GENUS 27 MFFI GENUS 27 RFFI GENUS 33 MFFI GENUS 23 MI LWC																		31
				1	2	3	4	5	6	7	8	9	10	11	12	13	14	15	16	17	18	
0600	ELECTRICAL BOX																					
0602	PRESSURE GAUGE	571649		•	•	•	•	•	•	•	•	•	•	•	•	•	•	•	•			
0603	RESET BUTTON	573300		•	•	•	•	•	•	•	•	•	•	•	•	•	•	•	•			
0605	CABLE CLAMP	571562		•	•	•	•	•	•	•	•	•	•	•	•	•	•	•	•			
0608	NYLON BUSH (10MM)	569711		•	•	•	•	•	•	•	•	•	•	•	•	•	•	•	•			
0611	HIGH VOLTAGE WIRING	572996			•	•	•	•	•	•	•	•	•	•	•	•	•	•	•		02/00	
	HIGH VOLTAGE WIRING	997724			•	•	•	•	•	•	•	•	•	•	•	•	•	•	•	03/00		
0612	CABLE (P.C.B.)	952610		•	•	•	•	•	•	•	•	•	•	•	•	•	•	•	•			
0614	CONTROL PANEL COVER	999670																•		03/00		
	CONTROL PANEL COVER	999947				•				•												
	CONTROL PANEL COVER	999947				•				•										03/00		
0615	PRINTED CIRCUIT BOARD (E C-M)	953002		•																		
	PRINTED CIRCUIT BOARD (E C-MI/FFI)	953033																	•			
	PRINTED CIRCUIT BOARD (E C-MI/FFI)	953033			•		•	•	•			•	•							04/97	02/00	
	PRINTED CIRCUIT BOARD (E C-MI/FFI)	953033				•					•									04/97		
	PRINTED CIRCUIT BOARD (E C-MI/FFI ASIC)	953070			•		•	•	•			•	•							03/00		
0621	POWER INDICATOR L.E.D. LENS	571550		•	•	•	•	•	•	•	•	•	•	•	•	•	•	•	•			
0630	CABLE (FAN/AIR PRESSURE SWITCH)	998106																	•	03/00		
0634	LOW VOLTAGE WIRING	573181				•				•											02/00	
	LOW VOLTAGE WIRING	573181				•				•										04/97	02/00	
	LOW VOLTAGE WIRING	998047				•				•	•	•								03/00		
	LOW VOLTAGE WIRING	998055								•											03/97	
	LOW VOLTAGE WIRING	998055			•		•	•	•										•			
	LOW VOLTAGE WIRING	998915																	•			
0638	CABLE (POWER SUPPLY)	998012			•	•		•	•	•			•	•					•	03/00		
0646	CONNECTOR BLOCK	571787		•	•	•	•	•	•	•	•	•	•	•	•	•	•	•	•			
0650	CONTROL KNOB KIT	573301		•	•		•		•			•	•						•			
	FRONT PANEL COVER	573328				•		•		•			•	•					•			
0655	CABLE HOLDER	569458		•	•	•	•	•	•	•	•	•	•	•	•	•	•	•	•			
0656	CABLE HOLDER	573534		•	•	•	•	•	•	•	•	•	•	•	•	•	•	•	•			
0657	CABLE (FLUE CONTROL PROBE)	573186		•	•	•			•	•												
0660	CABLE (P.C.B./FAN/AIR PRESSURE SWITCH)	999119					•	•				•	•	•						03/00		
0670	CABLE (FAN/AIR PRESSURE SWITCH)	573017					•	•				•	•	•							02/00	
0674	SUMMER/WINTER SELECTOR KIT	573302		•	•	•	•	•	•	•	•	•	•	•	•	•	•	•	•			
0675	ON/OFF PUSH BUTTON KIT	573303		•	•	•	•	•	•	•	•	•	•	•	•	•	•	•	•			
0679	BLIND GROMMET	569720		•	•	•	•	•	•	•	•	•	•	•	•	•	•	•	•			
0680	INSPECTION COVER (L.H.)	571629		•	•	•	•	•	•	•	•	•	•	•	•	•	•	•	•			
0681	INSPECTION COVER (R.H.)	571628		•	•	•	•	•	•	•	•	•	•	•	•	•	•	•	•			
0682	GAS VALVE PUSH-BUTTON KIT	573382		•																		
0683	GAS VALVE PUSH-BUT.PLAST. RING WITH SYM.	573380		•																		
0684	CABLE (ECOSPLIT +SIT GAS VALVE THERMOST.	571159		•																		
0698	PRINTED CIRCUIT BOARD (EI A-M/P)	952952		•																		
	PRINTED CIRCUIT BOARD (EI A-M)	952961			•					•											02/00	
	PRINTED CIRCUIT BOARD (EI A-M)	952961				•				•									•			
	PRINTED CIRCUIT BOARD (EI A-MI/P ASIC)	952970			•					•										03/00		
	P.C.B. (EI A FFI/P ASIC) (RH)	952975					•					•							•	03/00		
	P.C.B. (EI A-FFI) (RH)	952981					•					•									02/00	
	P.C.B. (EI A-FFI) (RH)	952981					•					•										
5000	ACCESSORIES																					
5001	BURNER JET FULL KIT (LPG)	569282	LG	•	•	•	•	•	•	•	•	•	•	•	•	•	•	•	•			
	BURNER JET (FULL KIT - LPG) (15 PCS)	998432	LG																•			
5002	BURNER JET FULL KIT (NG)	573237	NG	•	•	•	•	•	•	•	•	•	•	•	•	•	•	•	•			
	NATURAL GAS BURNER JET FULL KIT	998900	NG																•			

LIST OF THE ABBREVIATIONS

HW	: Hot water.
CW	: Cold water.
C	: Ceramic resistance (normal heating).
Ca	: Ceramic resistance (accelerated heating)
TP	: Immersion heater.
1F	: With fittings.
2F	: Without fittings.
3F	: With fittings and another outlet connection.
AMI	: With mixing valve.
SMI	: Without mixing valve.
PUISS	: Power of th appliance.
PN	: Appliance with normal pression.
LP	: Appliance with low pression.
PV	: Appliance with variable power.
PF	: Appliance with fixed power.

IDENTIFICATION PLATE

SERIAL NUMBER

10 Characters :	04 05 125 011		
		Sequential number	
		Manufacturing day	
		Year of manufacture	
11 Characters :	1 95 065004 - 31		
Month of manufacture :		Technical number of the appliance	
from 1 to 9 → Jan. to Sep.,		Sequential number	
O → Oct., N → Nov.,		Year of manufacture	
D → Dec.			
19 Characters :	08 05 0013199 900640031		
Year of manufacture		Product reference	
Month of manufacture		Sequential number	
20 Characters :	3675007 XX 2 07 070 00315		
Product reference		Sequential number	
Millenium of manufacture		Manufacturing day	
		Year of manufacture	
21 Characters :	3675007 XX 07 070 0000315		
Product reference		Sequential number	
Year of manufacture		Manufacturing day	

The indications mentioned on the prices, commercial or technical literature and the scheme are written for your guidance and are available at a given time. The CONSTRUCTOR retains the power to modify the presentation, the form, the size, the conception or the material of the products.