



SPARE PARTS EXPLODED VIEW
GAS-WALL CONDENSING BOILERS

Model

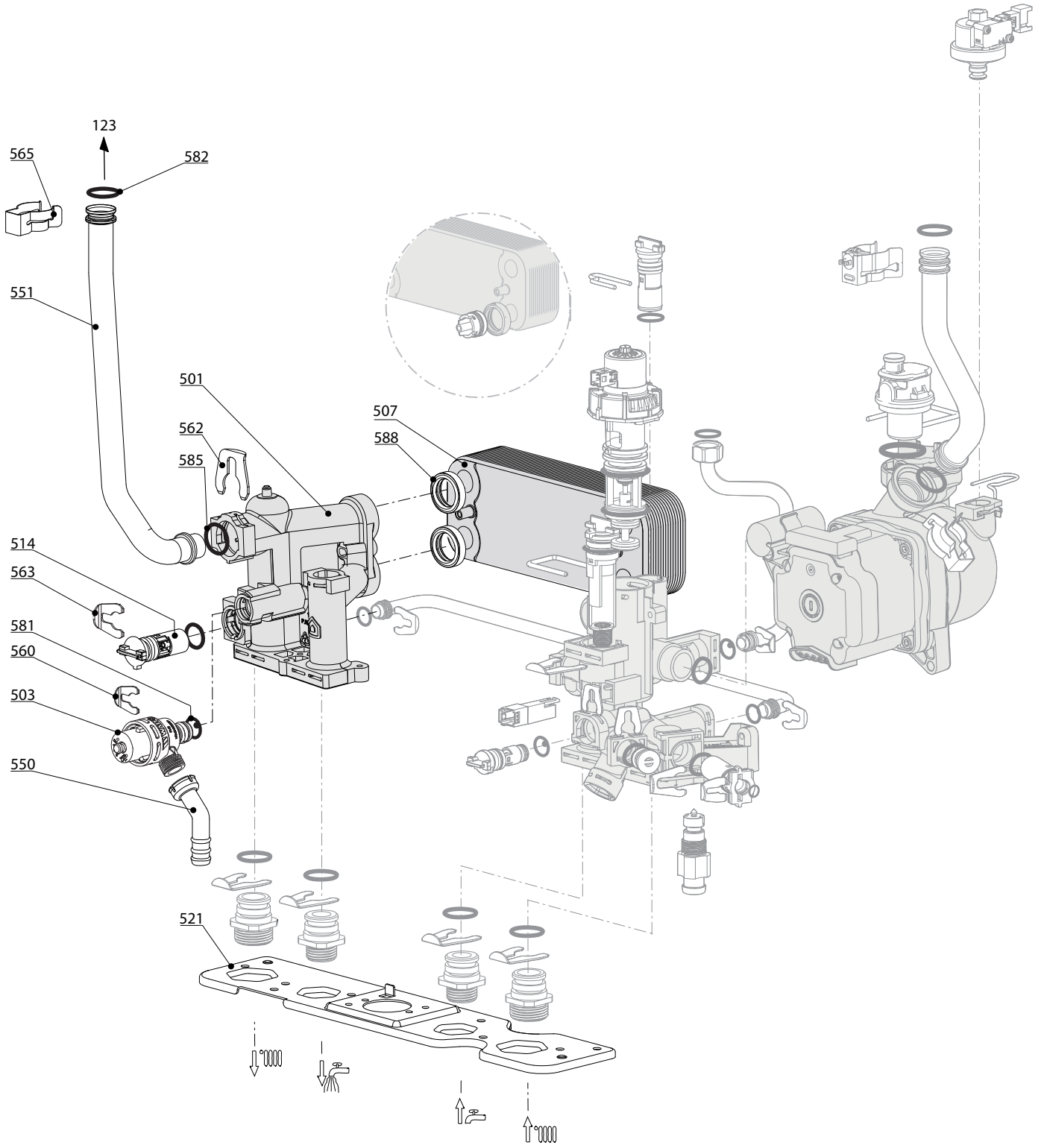
CARES ONE FR

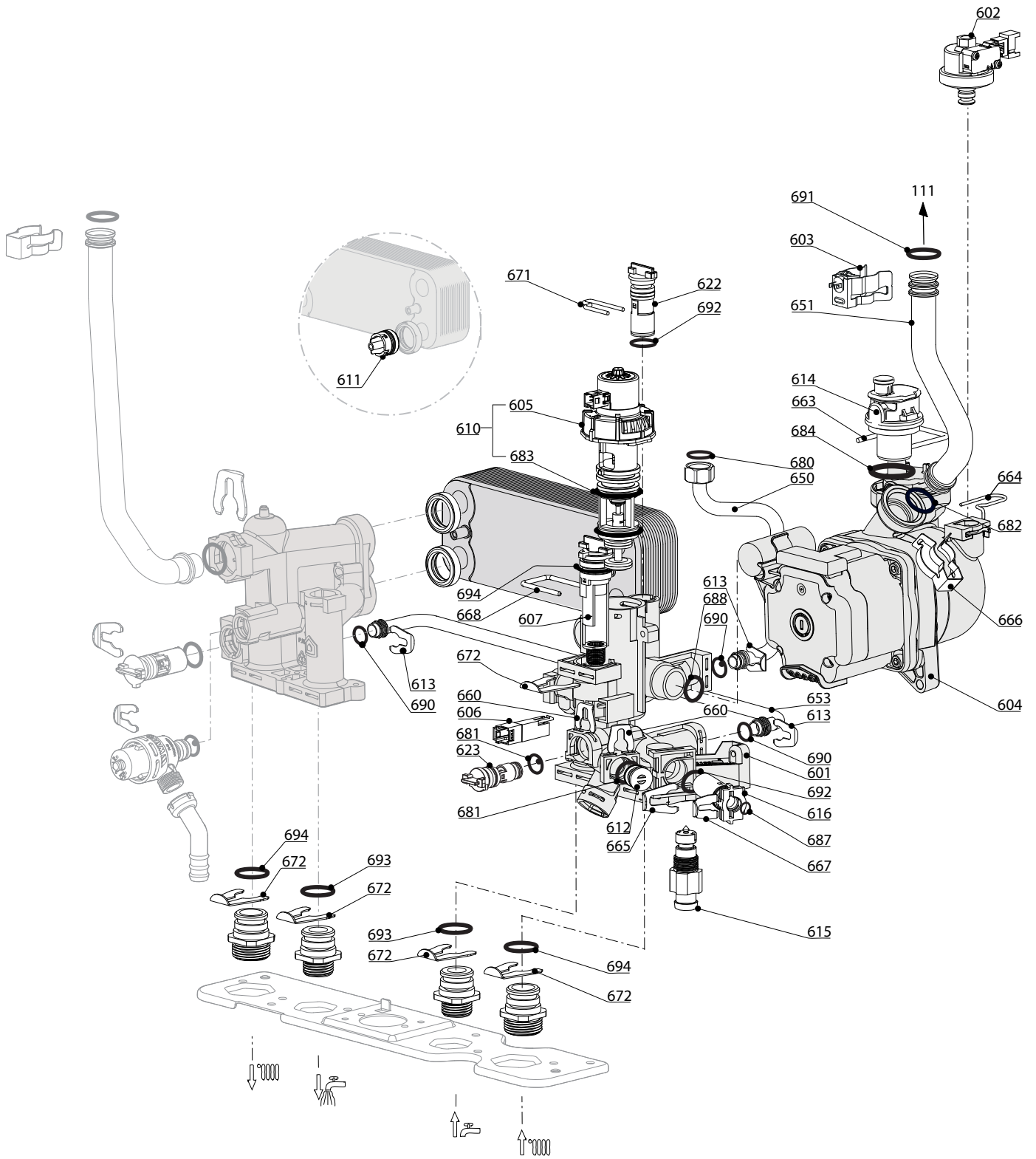
R8218552-02 - 18/03/2021

CARES ONE FR

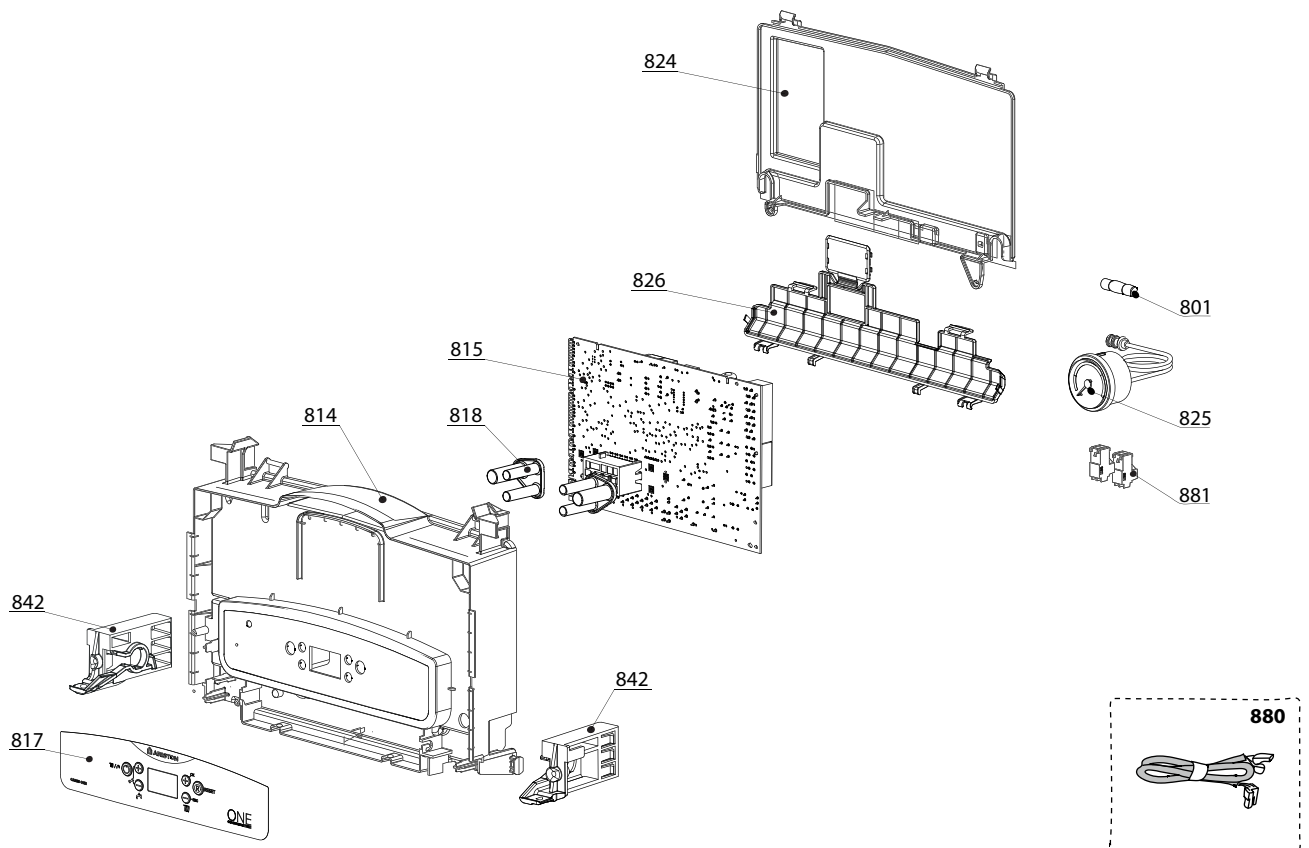
Gas-wall condensing boilers

1	3301572	CARES ONE 24	06-2020	-
2	3301573	CARES ONE 30	06-2020	-
Col	Reference	Model type	Begin	End

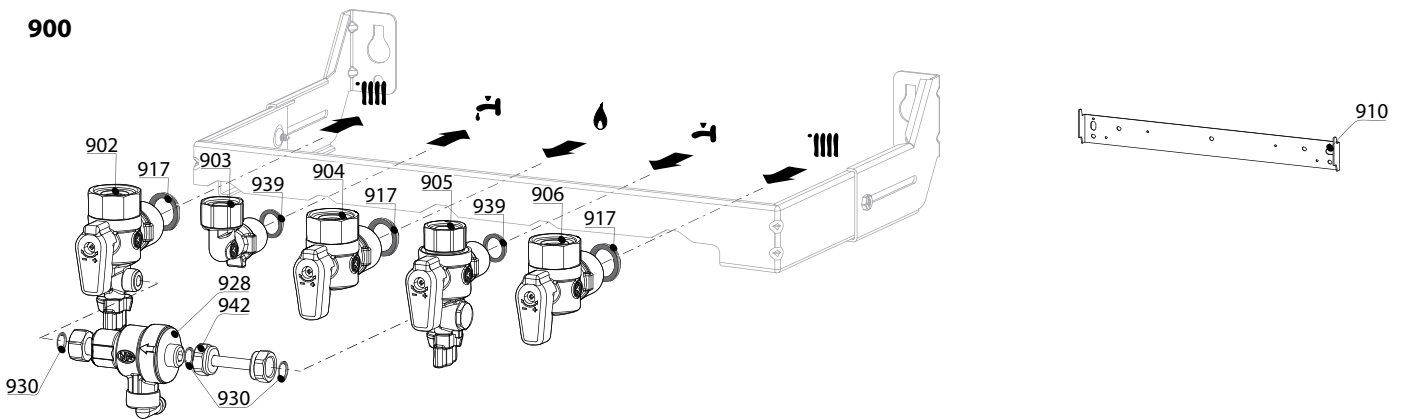




800



900



5000

5001	5002	5020
Gas conv. LPG G30/G31 Transf. gaz GPL G30/G31 Trasn. gas GPL G30/G31 Transf. gas GLP G30/G31 Flüssiggas Umstellset F-gas G30/G31 Ombouwset LPG G30/G31	Gas conv. NG G20 Transf. gaz GN G20 Trasn. gas MET G20 Transf. gas GN G20 Flüssiggas Umstellset E-gas G20 Ombouwset A-gas G20	Accessories Options Opzioni Accessorio Zubehör Opties

LIST OF THE ABBREVIATIONS

HW	: Hot water.
CW	: Cold water.
C	: Ceramic resistance (normal heating).
Ca	: Ceramic resistance (accelerated heating)
TP	: Immersion heater.
1F	: With fittings.
2F	: Without fittings.
3F	: With fittings and another outlet connection.
AMI	: With mixing valve.
SMI	: Without mixing valve.
PUISS	: Power of th appliance.
PN	: Appliance with normal pression.
LP	: Appliance with low pression.
PV	: Appliance with variable power.
PF	: Appliance with fixed power.

IDENTIFICATION PLATE

SERIAL NUMBER

10 Characters :	04 05 125 011	Sequential number
		Manufacturing day
		Year of manufacture
11 Characters :	1 95 065004 - 31	Technical number of the appliance
Month of manufacture :		Sequential number
from 1 to 9 → Jan. to Sep.,		Year of manufacture
O → Oct., N → Nov.,		
D → Dec.		
19 Characters :	08 05 0013199 900640031	Product reference
Year of manufacture		Sequential number
Month of manufacture		
20 Characters :	3675007 XX 2 07 070 00315	Sequential number
Product reference		Manufacturing day
Millenium of manufacture		Year of manufacture
21 Characters :	3675007 XX 07 070 0000315	Sequential number
Product reference		Manufacturing day
Year of manufacture		