



ARISTON

SPARE PARTS EXPLODED VIEW STORAGE GAS WATER HEATERS

Model

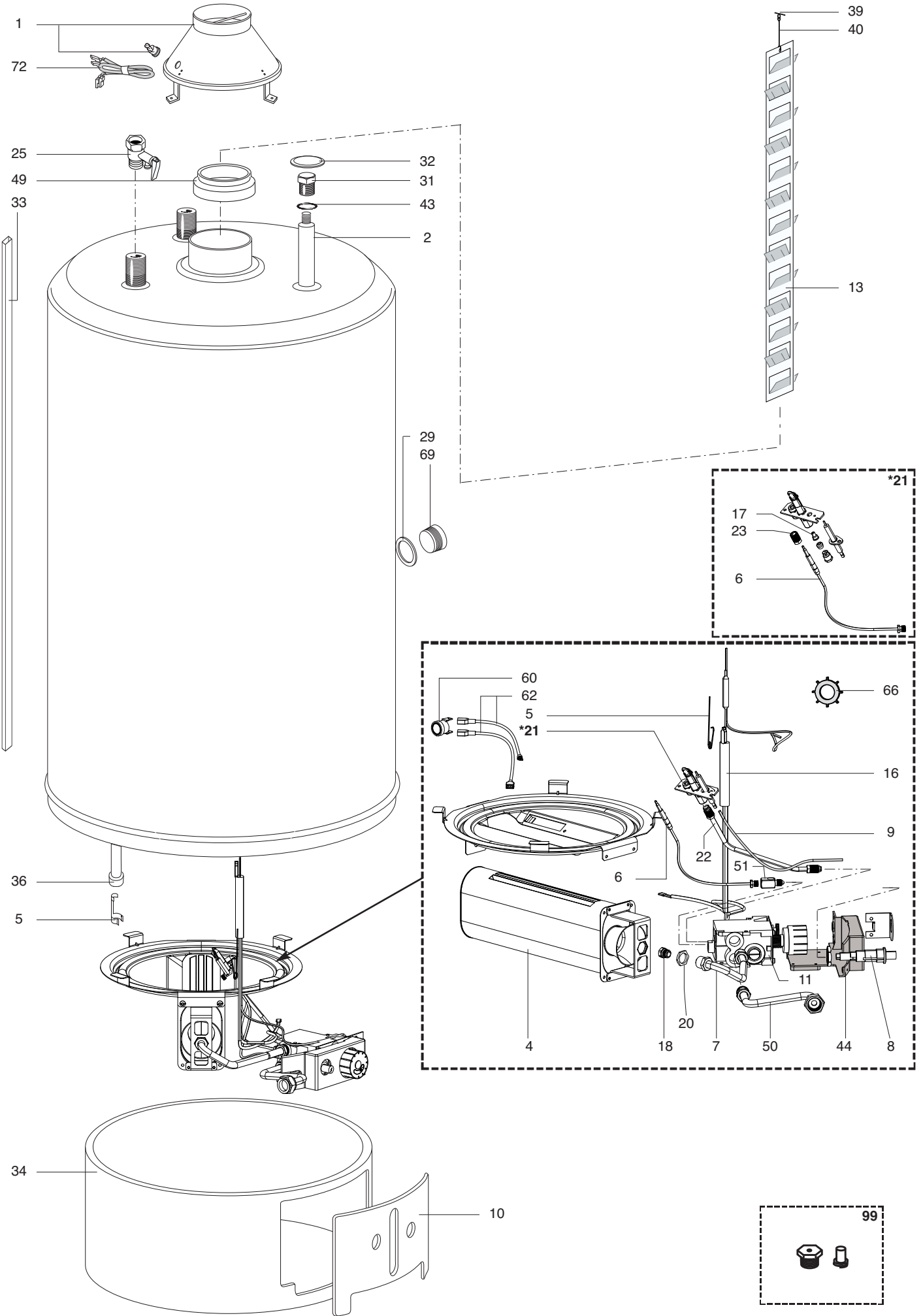
S/SGA X 120-160-200

R8218091-03 - 27/04/2021

S/SGA X 120-160-200

Storage Gas Water Heaters

1	3211013	SGA X 120	10-2018	-
1	3211031	SGA X 120 EE	10-2018	-
2	3211014	SGA X 160	10-2018	-
2	3211032	SGA X 160 EE	10-2018	-
3	3211015	SGA X 200	10-2018	-
3	3211033	SGA X 200 EE	10-2018	-
Col	Reference	Model type	Begin	End



Description	Manf. Pt. N	Type																			From	to
			1	2	3	4	5	6	7	8	9	10	11	12	13	14	15	16	17	18		
0001	FLUE HOOD (COMPLETE)	65119896		•	•																	
	FLUE HOOD (COMPLETE)	65119899				•																
0002	ANODE (D.22,3 L:661 M8)	65102435			•																	
	ANODE D:21,3 L:550 M5-M8	993207-01		•																		
	ANODE D:21,3 L:800 M8	291086				•																
0004	BURNER (MAIN)	65117893		•	•	•																
0005	SPRING (PROBE CLAMP)	290356		•	•	•																
0006	THERMOCOUPLE	65119760		•	•	•																
0007	PIPE (GAS VALVE-MAIN BURNER)	65117896				•																
	PIPE (GAS VALVE-MAIN BURNER)	65119898		•	•																	
0008	PUSH BUTTON (PIEZO)	200254		•	•	•																
0009	CABLE (PIEZO IGNITION)	200252		•	•	•																
0010	COMPLETE MOLDING DOOR	289252		•	•	•																
0011	GAS VALVE	65117892		•	•	•																
0013	FLUE BAFFLE	289296				•	•															
	FLUE BAFFLE	65119540		•																		
0016	THERMOSTAT (SAFETY)	65117895		•	•	•																
0017	BURNER JET (PILOT)	65118023	G27	•	•	•																
	BURNER JET (PILOT-D=27GN)	289202	G20	•	•	•																
	BURNER JET D=22 LPG	65117839	G31	•	•	•																
0018	MAIN BURNER JET	65117894	G20	•	•	•																
	MAIN BURNER JET	65117900	G31	•	•	•																
	MAIN BURNER JET M11 D.3.2	65118058	G27	•	•	•																
0020	NUT	65120433		•	•	•																
0021	GL 10KW TERMO PAR INSTALLATION KIT	65119588-01	G20	•	•	•																
0022	PIPE (GAS VALVE/PILOT BURNER)	65117897		•	•	•																
0023	THERMOCOUPLE FIXING FITTING	65120432		•	•	•																
0025	SAFETY VALVE (3/4" 6,5 BAR)	60001310		•	•	•																
0029	RUBBER GASKET	290128		•	•	•																
0031	PLUG	230536		•	•	•																
0032	BOSS	220550		•	•	•																
0033	ADHESIVE CHANNEL (THERMAL PROTECTOR)	65103128		•																		
	ADHESIVE CHANNEL (THERMAL PROTECTOR)	65103132			•																	
	ADHESIVE CHANNEL (THERMAL PROTECTOR)	65103133				•																
0034	BASE	65104698		•	•	•																
0036	SHEATH	65117318		•	•	•																
	SHEATH	990475		•																		
0039	SPRING (FLUE BAFFLE SUPPORT)	290450		•	•	•																
0040	EXTENSION (FLUE BAFFLE - L=342MM)	290017				•																
0043	O-RING	289442		•	•	•																
0044	GAS VALVE SUPPORT	220716		•	•	•																
0049	FLUE HOOD RING (D.100/95)	289353				•																
0050	PIPE (G3/8" GAS INLET)	65117898		•	•	•																
0051	SAFETY BLOCK	243005		•	•	•																
0060	THERMOSTAT (OVERHEAT- 103°C)	12059044		•																		
0062	WIRING THERMOSTAT (SAFETY)	65119426		•																		
0066	KIT (DIAPHRAGM G30 BR.LNX)	65119441-01		•	•	•																
0069	DISCHARGE PLUG	230519		•	•	•																
0072	CABLE (THERMAL PROTECTION)	65119897		•	•	•																
0099	GAS BURNER JET FULL KIT G31	65117899		•	•	•																
	TRANSFORMATION KIT G27	65118059		•	•	•																

LIST OF THE ABBREVIATIONS

HW	: Hot water.
CW	: Cold water.
C	: Ceramic resistance (normal heating).
Ca	: Ceramic resistance (accelerated heating)
TP	: Immersion heater.
1F	: With fittings.
2F	: Without fittings.
3F	: With fittings and another outlet connection.
AMI	: With mixing valve.
SMI	: Without mixing valve.
PUISS	: Power of th appliance.
PN	: Appliance with normal pression.
LP	: Appliance with low pression.
PV	: Appliance with variable power.
PF	: Appliance with fixed power.

IDENTIFICATION PLATE

SERIAL NUMBER

6 Characters :
Year of manufacture 03 09 08 Manufacturing day
Month of manufacture

9 Characters :
Year of manufacture 5 9 12 06 06 Sequential number
Month of manufacture

14 Characters :
SI-V-0B0 45 07 0001

Sequential number
Year of manufacture : 6 → 2004
Month of manufacture : → 25 → January 43 → July 7 → 2005
13 → February 29 → August 8 → 2006
32 → March 40 → September etc ...
35 → April 38 → October
39 → May 51 → November
45 → June 12 → December

14 Characters :
111518 XX 000010
Month of manufacture Sequential number
Day of manufacture Year of manufacture

15 Characters :
02 11 00001 007843
Year of manufacture Product reference
Month of manufacture Sequential number

21 Characters :
3200050 XX 08115 0000001
Product reference Sequential number
Year (08) / Manufacturing day (115)

22 Characters :
3200050 XX 070115 0000001
Product reference Sequential number
Year (07) / Month (01) / Manufacturing day (15)