



**ARISTON**

# SPARE PARTS EXPLODED VIEW BOILERS

Model

## **PRO R VTS**

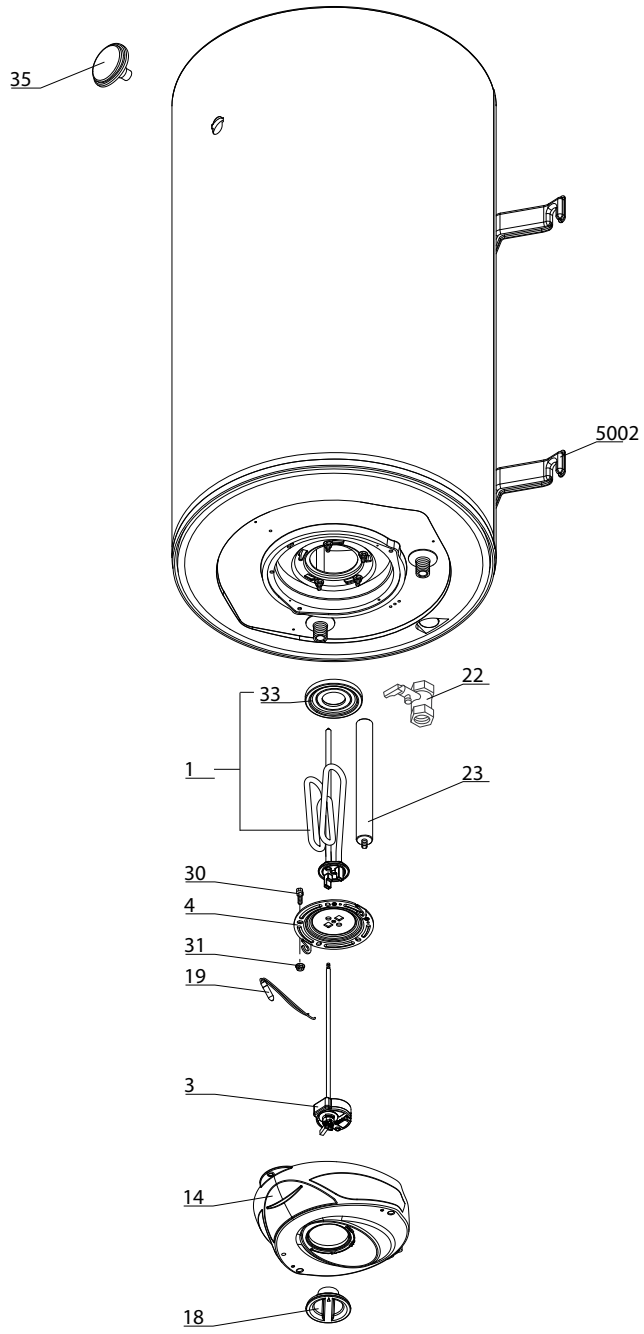
R8203390-04 - 20/07/2017

PRO R VTS

Boilers

|   |         |                      |         |         |
|---|---------|----------------------|---------|---------|
| 1 | 3060249 | PRO R 120 VTS        | 02-2013 | 10-2015 |
| 1 | 3060364 | PRO R 120 VTS EU     |         |         |
| 2 | 3060251 | PRO R 150 VTS        | 02-2013 | 10-2015 |
| 2 | 3060365 | PRO R 150 VTS EU     |         |         |
| 3 | 3060291 | PRO R 200 VTS        | 02-2013 | 09-2015 |
| 3 | 3060366 | PRO R 200 VTS EU     |         |         |
| 4 | 3060649 | PRO R 120 VTS EVO EU |         |         |
| 5 | 3060650 | PRO R 150 VTS EVO EU |         |         |
| 6 | 3060651 | PRO R 200 VTS EVO EU |         |         |

| Col | Reference | Model type | Begin | End |
|-----|-----------|------------|-------|-----|
|-----|-----------|------------|-------|-----|



| ☉⇒          | Description                            | Manf. Pt. N | Type | <div style="display: flex; justify-content: space-between; align-items: center;"> <div style="text-align: center;"> <p>120<br/>150<br/>200</p> <p>120 EVO EU<br/>150 EVO EU<br/>200 EVO EU</p> </div> <div style="border: 1px solid black; padding: 2px;"> </div> </div> |   |   |   |   |   |   |   |   |    |    |    |    |    |    |    |    |    | From | to |
|-------------|--|-------------|------|--|---|---|---|---|---|---|---|---|----|----|----|----|----|----|----|----|----|------|----|
|             |  |             |      | 1  | 2 | 3 | 4 | 5 | 6 | 7 | 8 | 9 | 10 | 11 | 12 | 13 | 14 | 15 | 16 | 17 | 18 |      |    |
| 0001        | HEATING ELEMENT 2000W 228V             | 65111913    |      | ●  | ● |   | ● | ● |   |   |   |   |    |    |    |    |    |    |    |    |    |      |    |
|             | HEATING ELEMENT 2500W 220-240V         | 65112788    |      |  |   | ● |   |   | ● |   |   |   |    |    |    |    |    |    |    |    |    |      |    |
| 0003        | THERMOSTAT D:10 L:300                  | 60002156    |      | ●  | ● | ● |   |   |   |   |   |   |    |    |    |    |    |    |    |    |    |      |    |
|             | THERMOSTAT D:10 L:300                  | 60002886    |      |  |   |   |   | ● | ● |   |   |   |    |    |    |    |    |    |    |    |    |      |    |
|             | THERMOSTAT L:300                       | 60002887    |      |  |   |   |   |   |   | ● |   |   |    |    |    |    |    |    |    |    |    |      |    |
| 0004        | FLANGE (5 HOLES)                       | 65111789    |      | ●  | ● | ● | ● | ● | ● | ● |   |   |    |    |    |    |    |    |    |    |    |      |    |
| 0014        | PLASTIC COVER                          | 60002157    |      | ●  | ● | ● | ● | ● | ● | ● |   |   |    |    |    |    |    |    |    |    |    |      |    |
| 0018        | KNOB (REGULATION)                      | 60002158    |      | ●  | ● | ● | ● | ● | ● | ● |   |   |    |    |    |    |    |    |    |    |    |      |    |
| 0019        | SIGNAL LAMP                            | 993025      |      | ●  | ● | ● | ● | ● | ● | ● |   |   |    |    |    |    |    |    |    |    |    |      |    |
| 0022        | SAFETY VALVE (3/4» 6,5 BAR)            | 60001310    |      |  |   |   | ● |   |   | ● |   |   |    |    |    |    |    |    |    |    |    |      |    |
|             | SAFETY VALVE WITH LEVER (1/2» 8,5 BAR) | 571730      |      | ●  | ● |   |   | ● | ● |   |   |   |    |    |    |    |    |    |    |    |    |      |    |
| 0023        | ANODE D:25,5 L:230 M5-M8               | 993014-01   |      | ●  | ● |   |   | ● | ● |   |   |   |    |    |    |    |    |    |    |    |    |      |    |
|             | ANODE D:25,5 L:350 M5-M8               | 60001570    |      |  |   |   | ● |   |   |   |   |   |    |    |    |    |    |    | ●  |    |    |      |    |
| 0030        | SCREW M6X20                            | 65151225    |      | ●  | ● | ● | ● | ● | ● | ● |   |   |    |    |    |    |    |    |    |    |    |      |    |
| 0031        | LOCK NUT M6                            | 994140      |      | ●  | ● | ● | ● | ● | ● | ● |   |   |    |    |    |    |    |    |    |    |    |      |    |
| 0033        | FLANGE GASKET                          | 65111788    |      | ●  | ● | ● | ● | ● | ● | ● |   |   |    |    |    |    |    |    |    |    |    |      |    |
| 0035        | THERMOMETER                            | 60002155    |      | ●  | ● | ● | ● | ● | ● | ● |   |   |    |    |    |    |    |    |    |    |    |      |    |
| <b>5000</b> | <b>ACCESSORIES</b>                     |             |      |  |   |   |   |   |   |   |   |   |    |    |    |    |    |    |    |    |    |      |    |
| 5002        | WALL FIXING BRACKET D:470-505-560-570  | 912006      |      | ●  | ● | ● | ● | ● | ● | ● |   |   |    |    |    |    |    |    |    |    |    |      |    |

## LIST OF THE ABBREVIATIONS

|             |  |
|-------------|--|
| HW .....    | : Hot water.                                   |
| CW .....    | : Cold water.                                  |
| C .....     | : Ceramic resistance (normal heating).         |
| Ca .....    | : Ceramic resistance (accelerated heating)     |
| TP .....    | : Immersion heater.                            |
| 1F .....    | : With fittings.                               |
| 2F .....    | : Without fittings.                            |
| 3F .....    | : With fittings and another outlet connection. |
| AMI .....   | : With mixing valve.                           |
| SMI .....   | : Without mixing valve.                        |
| PUISS ..... | : Power of th appliance.                       |
| PN .....    | : Appliance with normal pression.              |
| LP .....    | : Appliance with low pression.                 |
| PV .....    | : Appliance with variable power.               |
| PF .....    | : Appliance with fixed power.                  |

## IDENTIFICATION PLATE

### SERIAL NUMBER

**9 Characters :** 07 91 00301 (from 01/77 to 12/92)

Month of manufacture 07 | Year of manufacture 91 | Sequential number 00301

**10 Characters :** 95 01 065004 (from 01/93 to 06/95)

Year of manufacture 95 | Sequential number 01 | Month of manufacture 065004

**OU**

**10 Characters :** 01 95 065004 (from 07/95)

Month of manufacture 01 | Sequential number 95 | Year of manufacture 065004

**12 Characters :** 924 2 3 134 0115

Product reference 924 | Sequential number 2 | Year of manufacture 3 | Manufacturing day 134 | 0115

**15 ou 16 Characters :** (0)03 070 0001 893077 (from 01/97 to 01/05)

Year of manufacture (0)03 | Product reference 070 | Sequential number 0001 | 893077

**OU**

**16 Characters :** 05 070 0001 0000000 (from 02/05)

Year of manufacture 05 | Product reference 070 | Sequential number 0001 | 0000000

**17 Characters :** 07 070 00315 3070107

Year of manufacture 07 | Product reference 070 | Sequential number 00315 | Manufacturing day (70) 3070107

**21 Characters :** 3000115 XX 08115 0000001

Product reference 3000115 | Sequential number XX | Year (08) / Manufacturing day (115) 08115 | 0000001

**22 Characters :** 3000115 XX 070416 0000001

Product reference 3000115 | Sequential number XX | Year (07) / Month (04) / Manufacturing day (16) 070416 | 0000001