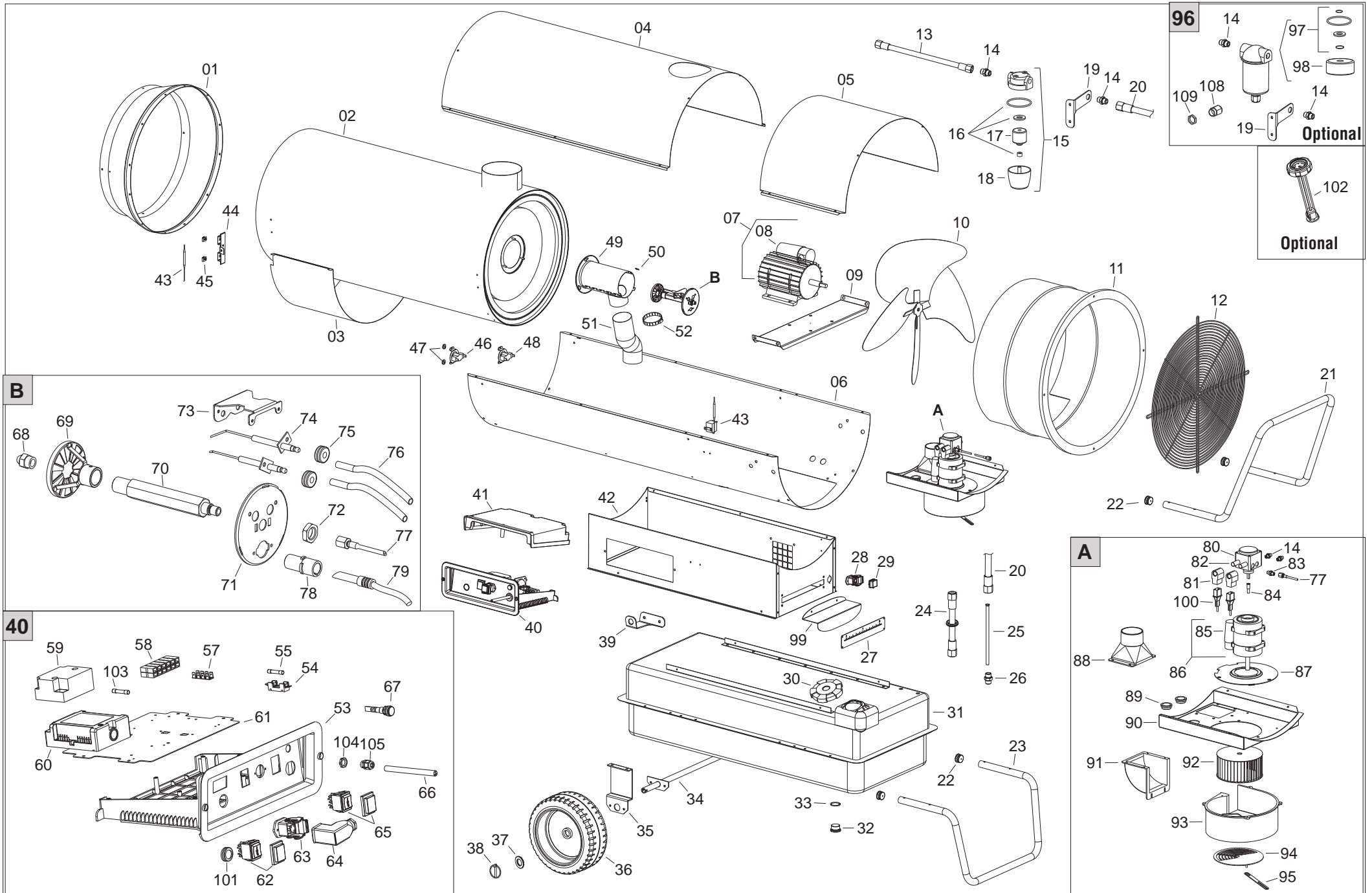


PHOEN 110

L-D123.04-BM



PL 01/18			Da N.° serie	De No. Serie	Von Masch. Nr.	From S/N
21611001						
POS	P/N	LEGENDA	DESCRIZIONE	DESCRIPTION	BESCHREIBUNG	DESCRIPTION
01	G06185-3001	-	Cono diffusore	Embout conique	Ausblaskonus	Outlet cone
02	G06186	-	Camera di combustione	Chambre de combustion	Brennkammer	Combustion chamber
03	G06187	-	Pannello isolante	Panneau d'isolation	Isolierplatte	Insulating panel
04	G06188-3001	-	Carrozzeria superiore	Carrosserie sup.	Karosserie Oberteil	Upper body
05	G06189-3001	-	Pannello ispezione	Porte visite	Inspektionsklappe	Inspection panel
06	G06190-3001	-	Carrozzeria inferiore	Carrosserie Inf.	Karosserie Unterteil	Lower body
07	E10688	1100 W - 230V - 50Hz	Motore	Moteur	Motor	Motor
08	E11238	25 µF	Condensatore	Condensateur	Kondensator	Capacitor
09	G06191	-	Staffa supporto motore	Étrier support moteur	Trägerbügel Motor	Motor support bracket
10	T10265	Ø 550 - 33°	Ventola	Ventilateur	Lüfter	Fan
11	G06192-3001	-	Convogliatore aria	Air collecteur	Luftkolektor	Air conveyor
12	P30151	-	Griglia aspirazione	Grille aspiration	Ansauggitter	Inlet grill
13	I40330	L = 420mm - 1/4" FF	Tube gasolio flessibile	Flexible fuel	Flexibler Heizölschlauch	Flex diesel pipe
14	I20104	1/4"M - 1/4"M	Raccordo ferro	Raccord fer	Anschluss, Eisen	Iron fitting
15	T20201	1/4"FF	Filtro gasolio	Filtre fuel	Heizölfilter	Diesel filter
16	T20234	GIULIANI ANELLO	Kit guarnizioni filtro	KIT OR filtre	Satz Filterdichtungen	Filter seal kit
17	T20206	-	Cartuccia filtro	Cartouche filtre	Filtereinsatz	Filter cartridge
18	T20212	-	Contentitore filtro	Conteneur filtre	Filtergehäuse	Filter container
19	G06104-9005	-	Staffa supporto filtro	Étrier support filtre	Trägerbügel Filter	Filter support bracket
20	I40329	L = 260mm - 1/4" FF	Tube gasolio flessibile	Flexible fuel	Flexibler Heizölschlauch	Flex diesel pipe
21	P20176-9005	-	Maniglia	Poignée	Griff	Handle
22	C30355	Ø25	Tappo copritubo	Bouchon tuyau	Schlauchstöpsel	Pipe cap
23	P20183-9005	-	Piede	Support	Stütze	Support
24	I40331	L = 580mm - 1/4" FF	Tube gasolio flessibile	Flexible fuel	Flexibler Heizölschlauch	Flex diesel pipe
25	I30698	L = 290mm	Pescante	Tuyau d'aspiration	Ansaugrohr	Suction pipe
26	I30737	1/4" M - M12x1,75 M	Raccordo ottone	Raccord laiton	Messingfitting	Brass fitting
27	G06193	-	Pannello	Panneau	Verkleidungsplatte	Panel
28	E20639	4P+T	Connettore presa termostato	Fiche thermostat	Steckdose	Thermostat plug
29	E20665	-	Coperchio presa termostato	Couvercle prise thermostat	Deckel Thermostatbuchse	Thermostat plug cover
30	C30356	Ø 76	Tappo serbatoio	Bouchon réservoir	Behälterstopfen	Tank cap
31	G06146-9005	135 l	Serbatoio gasolio	Réservoir fuel	Heizölbehälter	Fuel tank
32	I25020	M16x1,5	Tappo scarico serbatoio	Bouchon de vidange réservoir	Behälterablassstopfen	Drain cap
33	C30375	Ø13,95 x 2,62	Guarnizione OR	Anneau O'R	O-Ring	O-ring
34	G06417-9005	Ø 25	Assale	Essieu	Achse	Wheel axle
35	G06445-9005	-	Staffa supporto assale	Etrier support essieu	Trägerbügel Achse	Wheels axle support bracket
36	C10559	Ø 325 - Ø 26	Ruota	Roue	Rad	Wheel
37	M20111	Ø26 x Ø44 x 4	Rondella	Rondelle	Unterlegscheibe	Washer
38	M20505	Ø 6x45mm	Spinotto a scatto	Goujon à encliquetage	Springbolzen	Latched pin
39	G06068-9005	-	Supporto cavo elettrico	Crochet câble d'alimentation	Halterung Stromkabel	Power cord support
40	G00306	-	Quadro elettrico	Coffret électrique	Schaltkasten	El. control box
41	P50127	-	Copertura quadro elettrico	Couverture coffret électrique	Abdeckung Schalttafel	Control box cover
42	G06195-3001	-	Basamento	Base	Sockel	Base
43	E50767	TY95A - 105 °C	Termostato di sicurezza	Thermostat de sécurité	Sichereitsthermostat	Safety thermostat
44	G06196	-	Staffa supporto termostato	Bride de fixation thermostat	Trägerbügel Thermostat	Thermostat support bracket

PL 01/18			Da N.° serie	De No. Serie	Von Masch. Nr.	From S/N
21611001						
POS	P/N	LEGENDA	DESCRIZIONE	DESCRIPTION	BESCHREIBUNG	DESCRIPTION
45	M20413	-	Staffa fermatubo	Étrier fixation tuyau	Schlauchschele	Hose bracket
46	E50102	-	Termostato di sicurezza	Thermostat de sécurité	Sicherheitsthermostat	Safety thermostat
47	M20107	Ø5 x Ø15 x 1,5	Rondella	Rondelle	Unterlegscheibe	Washer
48	E50104	-	Termostato ventilatore	Thermostat Fan	Thermostat Fan	Fan Thermostat
49	G06197	-	Boccaglio	Gueulard	Brennerrohr	Blast tube
50	E20671	6,3x0,8 mm	Morsettiera	Barrette de connection	Klemmenleiste	Terminal board
51	I40804	L = 220 mm	Guaina	Gainé	Mantel	Duct
52	C30730	Ø60 - 80	Fascetta	Bande	Schelle	Clip
53	G06154	-	Pannello quadro elettrico	Panneau du coffret électrique	Schaltkastenplatte	El. control box panel
54	E20508	6 x 32	Portafusibile	Porte fusible	Sicherungshalter	Fuse holder
55	E10323	6x30 - 16A - T	Fusibile	Fusible	Sicherung	Fuse
57	E20319	-	Morsettiera per cavi terra	Barrette de connection	Klemmenleiste für Erdungskabel	Ground terminal board
58	E20305	12 pin	Morsettiera	Barrette de connection	Klemmenleiste	Terminal board
59	E10920	TRK1	Trasformatore alta tensione	Transformateur H.T.	Hochspannungstrafo	H.T. Transformer
60	E40152	REDGUN02 - 230V	Apparecchiatura controllo fiamma	Disp. Contrôle flamme	Flammenüberwachung	Flame control box
61	G06073	-	Piastra supporto	Plaque support	Montageplatte	Support plate
62	E10102-P	I - 0 - II	Interruttore bipolare	Interrupteur	zweipoliger Schalter	Switch
63	E20640	3P+T	Connettore presa termostato	Fiche thermostat	Steckdose	Thermostat plug
64	E20675	3P + T - 90°	Connettore spina con ponte elettrico	Fiche thermostat avec pontet	Stecker mit Brücke	Plug with jumper
65	E10112-P	0 - I	Interruttore bipolare	Interrupteur	zweipoliger Schalter	Switch
66	E30446-1	L = 1,5m - SCHUKO	Cavo alimentazione elettrica	Câble d'alimentation	Stromversorgungskabel	Power cord
67	E11030	230V	Lampada	Lampe	Lampe	Lamp
68	T20357	DELAVAN 2,00 GPH 80° W	Ugello gasolio	Gicleur	Düse	Nozzle
69	G06225	-	Anello diffusore	Diffusaire annulaire	Stauscheibe	Diffuser ring
70	I33006	-	Raccordo portaugello	Support gicleur	Düsenhalter	Nozzle support
71	G06226	-	Disco supporto bruciatore	Bride brûleur	Trägerscheibe Brenner	Burner support disc
72	I31034	M14	Controdado ottone	Contre-écrou laiton	Kontermutter, Messing	Brass lock nut
73	G06199	-	Staffa supporto elettrodi	Étrier support électrodes	Trägerbügel Elektroden	Electrodes support stirrup
74	E10215	-	Elettrodo accensione	Électrode allumage	Zündelektrode	Ignition electrode
75	C30368	Ø 7mm - Ø12 mm	Passacavo	Protection cable	Kabeldurchgang	Cable protection
76	G02075	L = 1000 mm	Cavo alta tensione	Conn. câble	Hochspannungskabel	H.T. Cable connect.
77	I40192	L = 250mm 1/8"F - 1/8"F	Microtubo	Microtube	Feinschlauch	Micropipe
78	E50327-30	D 8	Supporto fotoresistenza	Support photorésistance	Halterung Photowiderstand	Photoresistor support
79	E50332	GIORDANO FI02S L = 1m - Red	Fototransistor	Phototransistore	Fototransistor	Phototransistor
80	T20460	SUNTEC CT40BK	Pompa gasolio	Pompe fuel	Heizölpumpe	Diesel pump
81	T20458	SUNTEC CSV 30 - 230 V	Bobina elettrovalvola	Bobine E. V.	Spule Magnetventil	Solenoid coil
82	T20130	SUNTEC AS45	Coppia corpo elettrovalvola	Couple corps électrovalve	Paar Magnetventilgehäuse	Solenoid valve body pair
83	I20115	1/8"M - 1/8"M	Raccordo ferro	Raccord fer	Anschluss, Eisen	Iron fitting
84	E10698	SIMEL	Giunto motore - pompa	Accouplement moteur-pompe	Motor/Pumpe-Kupplung	Motor-pump coupling
85	E11246	6,3 µF	Condensatore	Condensateur	Kondensator	Capacitor
86	E10697	200 W - 230V - 50Hz	Motore	Moteur	Motor	Motor
87	G06200-3001	-	Supporto motore	Bride support moteur	Motorlager	Motor flange

PHOEN110

L-D123.04-BM

PL 01/18			Da N.° serie	De No. Serie	Von Masch. Nr.	From S/N
21611001						
POS	P/N	LEGENDA	DESCRIZIONE	DESCRIPTION	BESCHREIBUNG	DESCRIPTION
88	C10328	-	Canale di raccordo	Connection coude	Verbindungskanal	Elbow connection
89	C30372	Ø 25,4mm - Ø34,9 mm	Passacavo	Protection cable	Kabeldurchgang	Cable protection
90	G06201-3001	-	Staffa supporto motore	Étrier support moteur	Trägerbügel Motor	Motor support bracket
91	C10329	90°	Canale di raccordo	Connection coude	Verbindungskanal	Elbow connection
92	T10257	AP 160x70 F12,7	Ventola	Ventilateur	Lüfter	Fan
93	C10326	-	Coclea	Volute	Gehäuse	Scroll
94	G06202	-	Serranda regolazione aria	Tablier réglage air	Luftregelklappe	Air adjustment shutter
95	G06203	-	Leva per regolazione aria	Levier régulation air	Luftregulierhebel	Air adjustment lever
96	02AC569	1/4"FF - 100 W	Kit filtro gasolio con preriscaldamento	Kit Filtre pre-chauffage	Satz Heizölfilter mit Vorwärmung	Diesel pre-heaters filter kit
97	T20241	FAG	Kit guarnizioni filtro	KIT OR filtre	Satz Filterdichtungen	Filter seal kit
98	T20242	-	Cartuccia filtro	Cartouche filtre	Filtereinsatz	Filter cartridge
99	G06204	-	Pannello	Panneau	Verkleidungsplatte	Panel
100	T20442	L = 1000 mm	Cavo elettrovalvola	Câble électrovalve	Kabel Magnetventil	Solenoid valve cable
101	E20418	-	Protezione pulsante blocco	Protection bouton d'arrêt	Schutz Sperrschalter	Stop button protection
102	02AC510	L = 290 mm	Tappo con indicatore di livello	Bouchon avec jauge	Stopfen mit Niveauanzeige	Cap with level control
103	E10303	5x20 - 10A - T	Fusibile	Fusible	Sicherung	Fuse
104	E20965	PG 13,5	Dado per pressacavo	Ecrou pour presse étoupe	Mutter für Kabeldurchgang	Cable fastener nut
105	E20964	PG 13,5	Pressacavo	Presse étoupe	Kabeldurchgang	Cable fastener
108	E20953	PG11	Pressacavo	Presse étoupe	Kabeldurchgang	Cable fastener
109	E20954	PG11	Dado per pressacavo	Ecrou pour presse étoupe	Mutter für Kabeldurchgang	Cable fastener nut