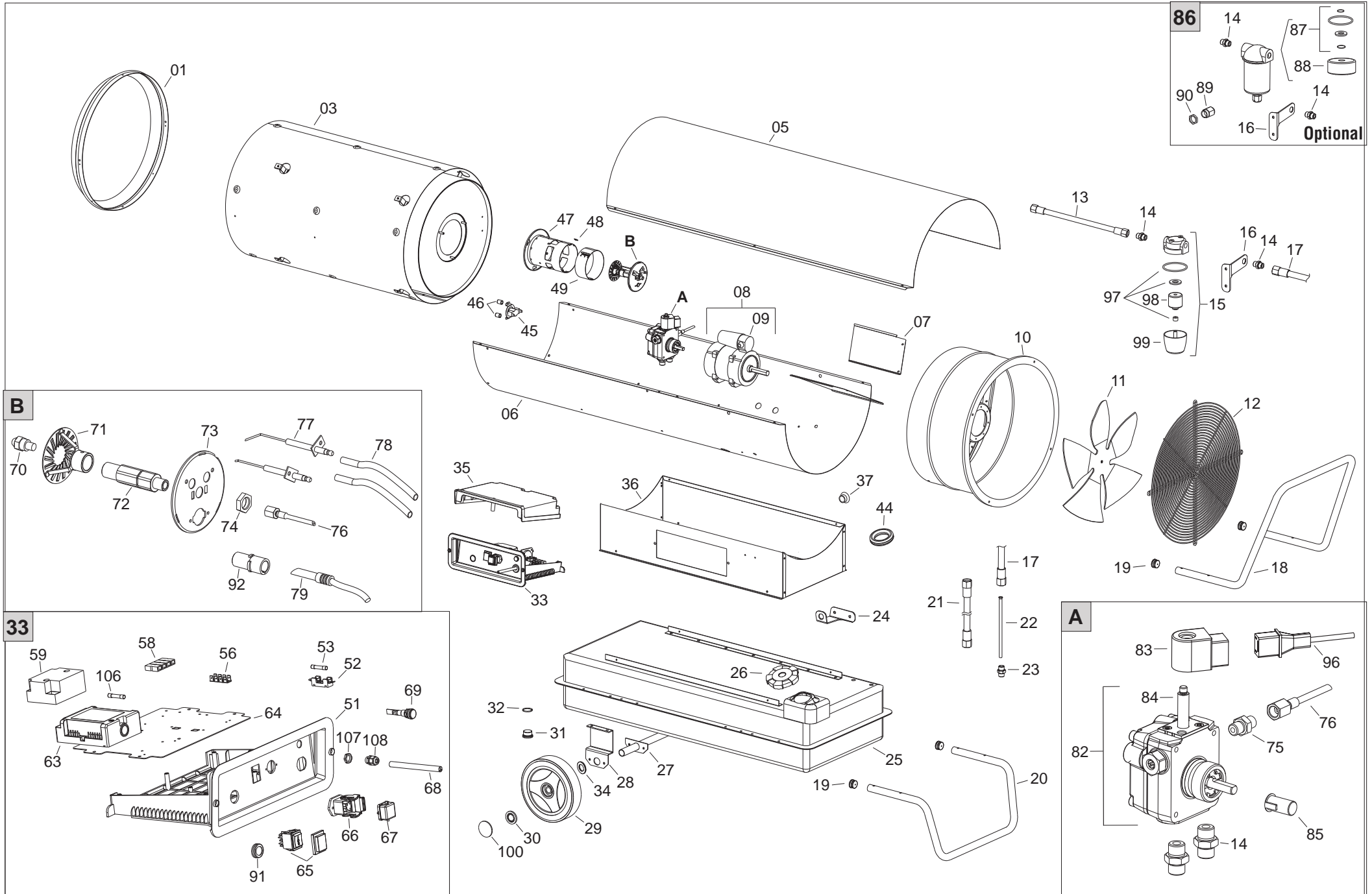


GE 105

L-D115.04-BM



PL 01/18			Da N.° serie	De No. Serie	Von Masch. Nr.	From S/N
27321001						
POS	P/N	LEGENDA	DESCRIZIONE	DESCRIPTION	BESCHREIBUNG	DESCRIPTION
01	G06139-3001	-	Cono diffusore	Embout conique	Ausblaskonus	Outlet cone
03	G06231	-	Camera di combustione	Chambre de combustion	Brennkammer	Combustion chamber
05	G06234-3001	-	Carrozzeria superiore	Carrosserie sup.	Karosserie Oberteil	Upper body
06	G06237-3001	-	Carrozzeria inferiore	Carrosserie Inf.	Karosserie Unterteil	Lower body
07	G06397	-	Convogliatore aria	Air collecteur	Luftkollektor	Air conveyor
08	E10694	750 W - 230V - 50Hz	Motore	Moteur	Motor	Motor
09	E11244	20 µF	Condensatore	Condensateur	Kondensator	Capacitor
10	G06239-3001	-	Convogliatore aria	Air collecteur	Luftkollektor	Air conveyor
11	T10259	Ø 500 - 33°	Ventola	Ventilateur	Lüfter	Fan
12	P30129	-	Griglia aspirazione	Grille aspiration	Ansauggitter	Inlet grill
13	I40330	L = 420mm - 1/4" FF	Tubo gasolio flessibile	Flexible fuel	Flexibler Heizölschlauch	Flex diesel pipe
14	I20104	1/4"M - 1/4"M	Raccordo ferro	Raccord fer	Anschluss, Eisen	Iron fitting
15	T20201	1/4"FF	Filtro gasolio	Filtre fuel	Heizölfilter	Diesel filter
16	G06104-9005	-	Staffa supporto filtro	Étrier support filtre	Trägerbügel Filter	Filter support bracket
17	I40329	L = 260mm - 1/4" FF	Tubo gasolio flessibile	Flexible fuel	Flexibler Heizölschlauch	Flex diesel pipe
18	P20176-9005	-	Maniglia	Poignée	Griff	Handle
19	C30355	Ø25	Tappo copritubo	Bouchon tuyau	Schlauchstöpsel	Pipe cap
20	P20177-9005	-	Piede	Support	Stütze	Support
21	I40331	L = 580mm - 1/4" FF	Tubo gasolio flessibile	Flexible fuel	Flexibler Heizölschlauch	Flex diesel pipe
22	I30696	L = 220mm	Pescante	Tuyau d'aspiration	Ansaugrohr	Suction pipe
23	I30737	1/4" M - M12x1,75 M	Raccordo ottone	Raccord laiton	Messingfitting	Brass fitting
24	G06068-9005	-	Supporto cavo elettrico	Crochet câble d'alimentation	Halterung Stromkabel	Power cord support
25	G06128-9005	105 l	Serbatoio gasolio	Réservoir fuel	Heizölbehälter	Fuel tank
26	C30356	Ø 76	Tappo serbatoio	Bouchon réservoir	Behälterstopfen	Tank cap
27	G06138-9005	Ø 20	Assale	Essieu	Achse	Wheel axle
28	G06106-9005	-	Staffa supporto assale	Étrier support essieu	Trägerbügel Achse	Wheels axle support bracket
29	C10544	Ø 250 - Ø 20,5	Ruota	Roue	Rad	Wheel
30	M20203	Ø 20	Rondella elastica	Clips de fixation	Sprengring	Elastic washer
31	I25020	M16x1,5	Tappo scarico serbatoio	Bouchon de vidange réservoir	Behälterablassstopfen	Drain cap
32	M20313	Ø3/8"	Rondella	Rondelle	Unterlegscheibe	Washer
33	G00308	-	Quadro elettrico	Coffret électrique	Schaltkasten	El. control box
34	M20110	Ø21 x Ø37 x 3	Rondella	Rondelle	Unterlegscheibe	Washer
35	P50127	-	Copertura quadro elettrico	Couverture coffret électrique	Abdeckung Schalttafel	Control box cover
36	G06152-3001	-	Basamento	Base	Sockel	Base
37	C30319	Ø25	Tappo copriforo	Bouche trou	Lochstöpsel	Hole cap
44	C30372	Ø 25,4mm - Ø34,9 mm	Passacavo	Protection cable	Kabeldurchgang	Cable protection
45	E50102	-	Termostato di sicurezza	Thermostat de sécurité	Sicherheitsthermostat	Safety thermostat
46	G06072	Ø8 x Ø6 x 9,5	Distanziale	Epaisseur	Passstück	Spacer
47	G06249	-	Boccaglio	Gueulard	Brennerrohr	Blast tube
48	E20671	6,3x0,8 mm	Morsettiera	Barrette de connection	Klemmenleiste	Terminal board
49	G06183	-	Serranda regolazione aria	Tablier réglage air	Luftregelklappe	Air adjustment shutter
51	G06153	-	Pannello quadro elettrico	Panneau du coffret électrique	Schaltkastenplatte	El. control box panel
52	E20508	6 x 32	Portafusibile	Porte fusible	Sicherungshalter	Fuse holder
53	E10308	6x30 - 10A - T	Fusibile	Fusible	Sicherung	Fuse

PL 01/18			Da N.° serie	De No. Serie	Von Masch. Nr.	From S/N
27321001						
POS	P/N	LEGENDA	DESCRIZIONE	DESCRIPTION	BESCHREIBUNG	DESCRIPTION
56	E20319	-	Morsettiera per cavi terra	Barrette de connection	Klemmenleiste für Erdungskabel	Ground terminal board
58	E20305	12 pin	Morsettiera	Barrette de connection	Klemmenleiste	Terminal board
59	E10920	TRK1	Trasformatore alta tensione	Transformateur H.T.	Hochspannungstrafo	H.T. Transformer
63	E40152	REDGUN02 - 230V	Apparecchiatura controllo fiamma	Disp. Contrôle flamme	Flammenüberwachung	Flame control box
64	G06073	-	Piastra supporto	Plaque support	Montageplatte	Support plate
65	E10102-P	I - 0 - II	Interruttore bipolare	Interrupteur	zweipoliger Schalter	Switch
66	E20640	3P+T	Connettore presa termostato	Fiche thermostat	Steckdose	Thermostat plug
67	E20665	-	Coperchio presa termostato	Couvercle prise thermostat	Deckel Thermostatbuchse	Thermostat plug cover
68	E30446-1	L = 1,5m - SCHUKO	Cavo alimentazione elettrica	Câble d'alimentation	Stromversorgungskabel	Power cord
69	E11030	230V	Lampada	Lampe	Lampe	Lamp
70	T20357	DELAVAN 2,00 GPH 80° W	Ugello gasolio	Gicleur	Düse	Nozzle
71	G01077	-	Anello diffusore	Diffusaire annulaire	Stauscheibe	Diffuser ring
72	I33005	-	Raccordo portaugello	Support gicleur	Düsenhalter	Nozzle support
73	G06228	-	Disco supporto bruciatore	Bride brûleur	Trägerscheibe Brenner	Burner support disc
74	I31034	M14	Controdado ottone	Contre-écrou laiton	Kontermutter, Messing	Brass lock nut
75	I20115	1/8"M - 1/8"M	Raccordo ferro	Raccord fer	Anschluss, Eisen	Iron fitting
76	I40192	L = 250mm 1/8"F - 1/8"F	Microtubo	Microtube	Feinschlauch	Micropipe
77	E10215	-	Elettrodo accensione	Électrode allumage	Zündelektrode	Ignition electrode
78	G02075	L = 1000 mm	Cavo alta tensione	Conn. câble	Hochspannungskabel	H.T. Cable connect.
79	E50331	GIORDANO FIO2 L = 1m - Black	Fototransistor	Phototransistore	Fototransistor	Phototransistor
82	T20451	DANFOSS BFP21	Pompa gasolio	Pompe fuel	Heizölpumpe	Diesel pump
83	T20114	DANFOSS BFP11-21 - 230V	Bobina elettrovalvola	Bobine E.V.	Spule Magnetventil	Solenoid coil
84	T20117	DANFOSS BFP11-21	Corpo elettrovalvola	Corps électrovalve	Magnetventilgehäuse	Solenoid valve body
85	E10698	SIMEL	Giunto motore - pompa	Accouplement moteur-pompe	Motor/Pumpe-Kupplung	Motor-pump coupling
86	02AC548	1/4"FF - 100 W	Kit filtro gasolio con preriscaldamento	Kit Filtre pre-chauffage	Satz Heizölfilter mit Vorwärmung	Diesel pre-heaters filter kit
87	T20241	FAG	Kit guarnizioni filtro	KIT OR filtre	Satz Filterdichtungen	Filter seal kit
88	T20242	-	Cartuccia filtro	Cartouche filtre	Filtereinsatz	Filter cartridge
89	E20953	PG11	Pressacavo	Presse étoupe	Kabeldurchgang	Cable fastener
90	E20954	PG11	Dado per pressacavo	Ecrou pour presse étoupe	Mutter für Kabeldurchgang	Cable fastener nut
91	E20418	-	Protezione pulsante blocco	Protection bouton d'arrêt	Schutz Sperrschalter	Stop button protection
92	E50327-50	D 10	Supporto fotoresistenza	Support photorésistance	Halterung Photowiderstand	Photoresistor support
96	T20442	L = 1000 mm	Cavo elettrovalvola	Câble électrovalve	Kabel Magnetventil	Solenoid valve cable
97	T20234	GIULIANI ANELLO	Kit guarnizioni filtro	KIT OR filtre	Satz Filterdichtungen	Filter seal kit
98	T20206	-	Cartuccia filtro	Cartouche filtre	Filtereinsatz	Filter cartridge
99	T20212	-	Contentitore filtro	Conteneur filtre	Filtergehäuse	Filter container
100	C10513-R	Ø 200 - 250	Copri ruota rosso	Couvre roue rouge	Radabdeckung rot	Red wheel cover
106	E10303	5x20 - 10A - T	Fusibile	Fusible	Sicherung	Fuse
107	E20965	PG 13,5	Dado per pressacavo	Ecrou pour presse étoupe	Mutter für Kabeldurchgang	Cable fastener nut
108	E20964	PG 13,5	Pressacavo	Presse étoupe	Kabeldurchgang	Cable fastener