



## PRODUCT SPECIFICATION

**Manufacturer:** Big Foot Systems

**Product Name:** Standard Frames



## Product Reference

Standard frame lengths available in 500mm (19 11/16inches) increments from a minimum frame length of 1.0m (39 3/8inches) to maximum of 4.0m (157 31/64inches) . All frames are available in width of 1.2m (47 1/4inches) and 1.5m (59 1/16inches), to suit 'side by side' or 'back to back' multiple condensing unit arrangement.

## Product Summary

Light duty frame suitable for supporting mini splits, VRF/VRV condensers and small AHUs;

## Product Description

Big Foot Systems standard frames are constructed from 40x40 box section, stocked in 1m to 4m lengths, and available in 1.2m or 1.5m wide frames. The modular frameworks come with 305mm or 450mm feet. Suitable for most installation requirements where non-penetrative support is required.

This range of frames are designed to suit a wide arrangement of units in combination, simple to assemble and developed to resist tipping and sliding up to a wind loading of 100mph.

Palletised kit, comes complete with adjustable leg assemblies, supplied with clamp kits.

## Features & Benefits

- Non penetrative load management.
- Cost effective, pre-fabricated support system.
- Versatile modular frameworks.
- Rubber crumb foot mat for roof finish protection.
- Quick to install, robust and secure.

## Standards

### Constructed to:

- BS8000-4: Workmanship on building sites. Code of practice for waterproofing.
- BS6229: Code of practice for flat roofs with continuously supported coverings.
- Building Regulations (E & W) Part L: Conservation of Fuel and Power.
- BS EN 1850-1: Determination of visible defects.
- BS EN 1107-1: Flexible sheets for waterproofing. Determination of dimensional stability.

### Material Specification:

- Hot dip galvanized carbon steel: BS EN 10219-1. Welding standard: BS EN ISO 15614-1.
- Galvanizing: BS EN ISO 1461.
- Plastic foot: Nylon 6 B601L 30% glass fibre filled
- Rubber crumb foot mat: SBR recycled rubber BS 7188 and BS 5696-3
- Salt mist testing: BS EN 60068-2-52.
- Test Kb severity 1.

## Design Considerations

### Foot Pressure & UDL (Roof Load):

Allowable foot pressure and roof load will be subject to roof build-up, typically detailed by a structural engineer. Big Foot Systems work to a maximum foot pressure and UDL of 20kN/m<sup>2</sup> and 7.5kN/m<sup>2</sup> respectively.

### Linear Adjustment:

Cross bar spacing is adjustable to accommodate various unit sizes.

### Wind Loading:

Suitable for wind exposed environments, up to wind speeds of 100mph.

### Height Adjustability:

To suit several height requirements, there 3 variations in height available. Standard—adjustable between 295-400mm (11 39/64-15 3/4); Long Stud—adjustable between 295-620mm (11 39/64-24 13/32); Long Box— between 725-830mm (28 35/64-32 43/64).

### Roof Surface:

Suitable for any roof surface including but not limited to PVC membrane, mastic asphalt, insulation and concrete roof finishes.

### Working Conditions:

Suitable for internal or external applications in temperatures between -40°C to +80°C.

### Marine Environment:

Salt mist test conducted in accordance with ASTM B117-11 to simulate an accelerated environmental test. The results validate the 10 year product guarantee issued by Big Foot Systems.

### Where to buy:

Available to buy off the shelf from any partner wholesalers across the country. The link below provides the location of every wholesalers in the UK. [www.bigfootsupport.com/distributors](http://www.bigfootsupport.com/distributors)

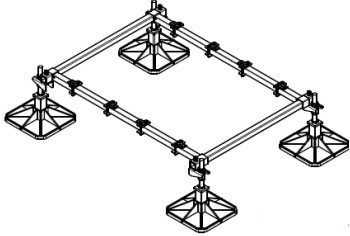
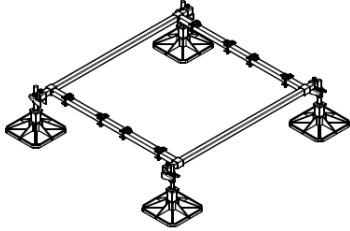
## Options

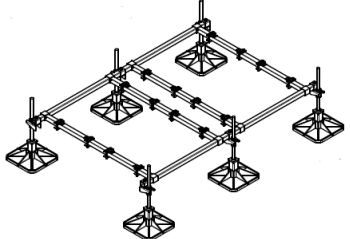
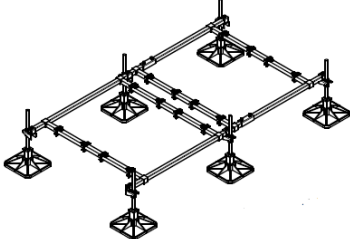
### Foot Fleeces:

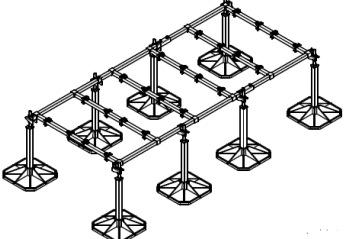
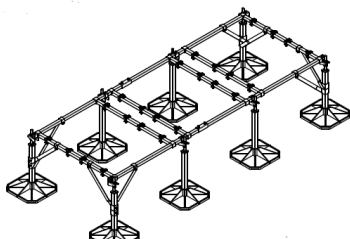
Recommended for use on PVC membrane and asphalt roof surfaces to prevent migration of plasticizers. B9156—305mm (12 1/64inches); B9157—450mm (17 23/32inches)

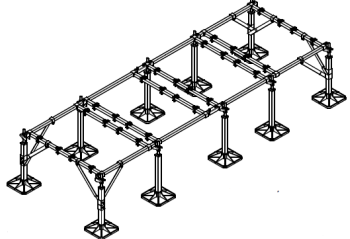

### Angled Mats:

2.5 and 5 degrees angled mats available for 305mm and 450mm feet only, for use on roof fall up to 6 degrees. B9091—2.5° 305; B9092—5.0° 305; B9093—2.5° 450; B9094—5.0° 450 feet.

Frame - 1.0m x 1.2m (LxW)										Frame - 1.5m x 1.2m (LxW)									
Height	Min	mm	295	295	725	295	295	725		mm	295	295	725	295	295	725			
		Inches	11	11	28	11	11	28			Inches	11	11	28	11	11	28		
	Max	mm	400	620	830	400	620	830		mm	400	620	830	400	620	830			
		Inches	15 3/4	24	32	15	24	32			Inches	15 3/4	24	32	15	24	32		
Foot Size		mm	305	305	305	450	450	450	Foot Size		mm	305	305	305	450	450	450		
		Inches	12	12	12	12	12	12			Inches	12	12	12	12	12	12		
		Inches	1/64	1/64	1/64	1/64	1/64	1/64			Inches	1/64	1/64	1/64	1/64	1/64	1/64		

Frame - 2.0m x 1.2m (LxW)										Frame - 2.5m x 1.2m (LxW)									
Height	Min	mm	295	295	725	295	295	725		mm	295	295	725	295	295	725			
		Inches	11	11	28	11	11	28			Inches	11	11	28	11	11	28		
	Max	mm	400	620	830	400	620	830		mm	400	620	830	400	620	830			
		Inches	15 3/4	24	32	15	24	32			Inches	15 3/4	24	32	15	24	32		
Foot Size		mm	305	305	305	450	450	450	Foot Size		mm	305	305	305	450	450	450		
		Inches	12	12	12	12	12	12			Inches	12	12	12	12	12	12		
		Inches	1/64	1/64	1/64	1/64	1/64	1/64			Inches	1/64	1/64	1/64	1/64	1/64	1/64		

Frame - 3.0m x 1.2m (LxW)										Frame - 3.5m x 1.2m (LxW)									
Height	Min	mm	295	295	725	295	295	725		mm	295	295	725	295	295	725			
		Inches	11	11	28	11	11	28			Inches	11	11	28	11	11	28		
	Max	mm	400	620	830	400	620	830		mm	400	620	830	400	620	830			
		Inches	15 3/4	24	32	15	24	32			Inches	15 3/4	24	32	15	24	32		
Foot Size		mm	305	305	305	450	450	450	Foot Size		mm	305	305	305	450	450	450		
		Inches	12	12	12	12	12	12			Inches	12	12	12	12	12	12		
		Inches	1/64	1/64	1/64	1/64	1/64	1/64			Inches	1/64	1/64	1/64	1/64	1/64	1/64		

Frame - 4.0m x 1.2m (LxW)										<p>Installation and application considerations should include health, safety and environmental needs, regulations and standards, codes of practice, climate conditions, installation location, product orientation, evaluation of the roof structure, composition, surface and condition, ancillary and complimentary products and materials. Big Foot Systems recommend that all rooftop products are handled and installed by suitably qualified persons. All scheme designs are based on the use of Big Foot Systems' products and materials only.</p> <p>Terms and conditions available on request</p>	<p>TITLE: Standard Frames Product Specification Sheet</p> <p>DWG No. BFT-STF.dwg—Page 1</p> <p>THIS DRAWING IS COPYRIGHT AND THE PROPERTY OF BIG FOOT SYSTEMS LIMITED</p>	
Height	Min	mm	295	295	725	295	295	725				
		Inches	11	11	28	11	11	28				
	Max	mm	400	620	830	400	620	830				
		Inches	15 3/4	24	32	15	24	32				
Foot Size		mm	305	305	305	450	450	450				
		Inches	12	12	12	12	12	12				
		Inches	1/64	1/64	1/64	1/64	1/64	1/64				

