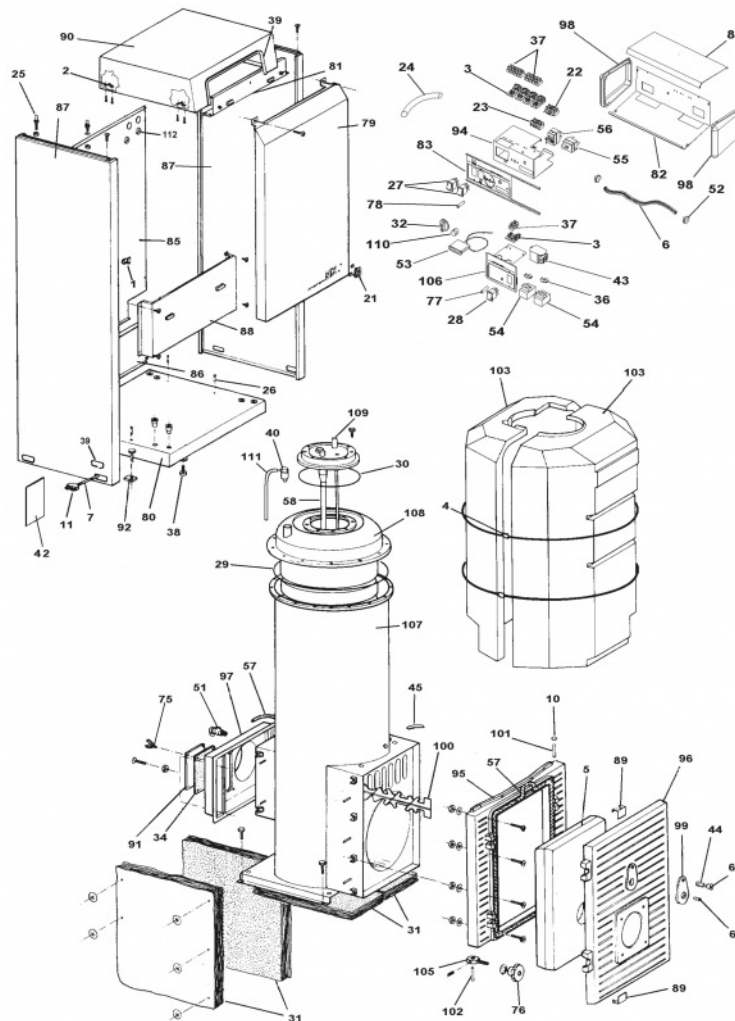


atlantic Pompes à Chaleur et Chaudières

| Référence | Couleur | Puissance (kW) | |
|-----------|---------|----------------|--|
| 9724004C | Rouge | 40 | |



| Repère | Libellé | Période | |
|--------|----------------------|---------|--------|
| | TABLEAU BORD9724004C | | 978932 |
| 1 | AGRAFE 82904/5030704 | | 100104 |
| 2 | ATTACHE RAPID C4411 | | 100608 |
| 3 | SUPP TRACTION9713402 | | 174206 |
| 5 | ISOLAT PORTE 9724002 | | 105270 |
| 7 | CABLE ELEC5X1GRIS 1M | | 109214 |
| 10 | CLIPS PORTE 9724002 | | 110353 |
| 11 | CONNECTEUR MALE 7P | | 110765 |
| 21 | ECUSSON FRANCO-BELGE | | 122807 |
| 22 | ENS EMB MALEKL16/6AS | | 123603 |
| 23 | ENS EMB FEM KL16/6AB | | 123604 |

| | | | |
|-----|----------------------|--|--------|
| 24 | GAINÉ ISOL DIAM10 1M | | 134106 |
| 25 | GOUJON RAPID 6299 | | 134501 |
| 26 | GOUPILLE CANNEL 5X24 | | 134701 |
| 27 | INTERRUPT B 412 C11 | | 139221 |
| 28 | INVERSEUR 312B5NN | | 139225 |
| 29 | JOINT TORIQUE D470 | | 142701 |
| 30 | JOINT TOR 60D150/180 | | 142703 |
| 31 | LAINÉ/V1,2M EP50 1M2 | | 146100 |
| 32 | MANETTE REG DIAM40 | | 149841 |
| 34 | PLAQ NEFALIT 165X125 | | 157509 |
| 36 | PLAQUET GRADUÉE35-95 | | 158210 |
| 37 | CONNECTEUR 12 PLOTS | | 110770 |
| 38 | PLOT ANTI-VIB9724002 | | 158421 |
| 39 | JOINT PROFIL NOIR 1M | | 159200 |
| 40 | PURGEUR MANUEL 3/8 | | 159422 |
| 43 | RELAIS+CLIPS 9724004 | | 165706 |
| 44 | RESSORT 11X15 | | 766003 |
| 45 | RESSORT DOIGT GANT | | 166047 |
| 51 | ROBINET VIDANGE 1/2P | | 167702 |
| 52 | SERRE CABLE 320 30 | | 174201 |
| 53 | THERMOMETRE 9711410 | | 178617 |
| 54 | THERMOSTAT 41-42-71 | | 178916 |
| 55 | THERMOSTAT 51.4/3759 | | 178919 |
| 56 | THERM SEC RAK77-4471 | | 178927 |
| 57 | TRESSE CER12NOIRE 1M | | 181615 |
| 58 | TUYAU EAU F B9724002 | | 182208 |
| 60 | VIS DE 27X8X6 | | 189103 |
| 61 | VIS LAITON D10 | | 189118 |
| 75 | VIS OREILLES FA 6X15 | | 189978 |
| 76 | VOLANT PORTE 9724003 | | 190301 |
| 77 | VOYANT 240V AMBRE | | 191014 |
| 78 | VOYANT 240V VERT | | 191015 |
| 79 | FACADE DE 9724004C | | 200263 |
| 80 | SOCLE DE 9724002C | | 200452 |
| 81 | SUPPL DESSUS 9724004 | | 202108 |
| 82 | TABL BORD 9724002C | | 202202 |
| 84 | SUPP REGUL H971211C | | 202603 |
| 85 | HABILLAGE AR 9724002 | | 205339 |
| 86 | SUPPL HAB AR 9724003 | | 205808 |
| 87 | COTE DE 9724004C | | 207683 |
| 88 | ENTRETOISE AV9724002 | | 210216 |
| 89 | EQUER PROTECT9724002 | | 229002 |
| 90 | COUVERCLE 9724004C | | 252635 |
| 91 | TAMPON RAMON 9724002 | | 266609 |
| 92 | CALE COTE 9522101 | | 273809 |
| 95 | ENCAD FOY 9724004010 | | 301040 |
| 96 | PORTE FOY 9724002099 | | 309951 |
| 97 | BOITE FUM 9724001177 | | 317711 |
| 98 | FLASQUE 9724001179C | | 317900 |
| 99 | CLAPET 97 30 206 | | 320603 |
| 100 | TURBULAT 9717001222 | | 322211 |
| 101 | AXE DE PORTE 9724003 | | 400015 |
| 102 | AXE VERROUILL9724003 | | 400016 |
| 103 | ISOL(1/2C)BTX9724003 | | 423000 |

| | | | |
|-----|----------------------|--|--------|
| 105 | VIS FERMETURE9724003 | | 471000 |
| 107 | CORPS CHAUF C9724001 | | 911120 |
| 107 | CORPS CHAUF9724001AV | | 910913 |
| 108 | BALLON 9724002AV | | 904501 |
| 109 | TRAPPE VISITE9724002 | | 982110 |
| 109 | TRAPPE VISIT9724002A | | 982111 |
| 110 | CAP AQUAS GX/GLS/GHR | | 109560 |
| 111 | TUBE PLASTIQ N6X9 1M | | 183100 |
| 112 | PASSE FIL | | 157311 |