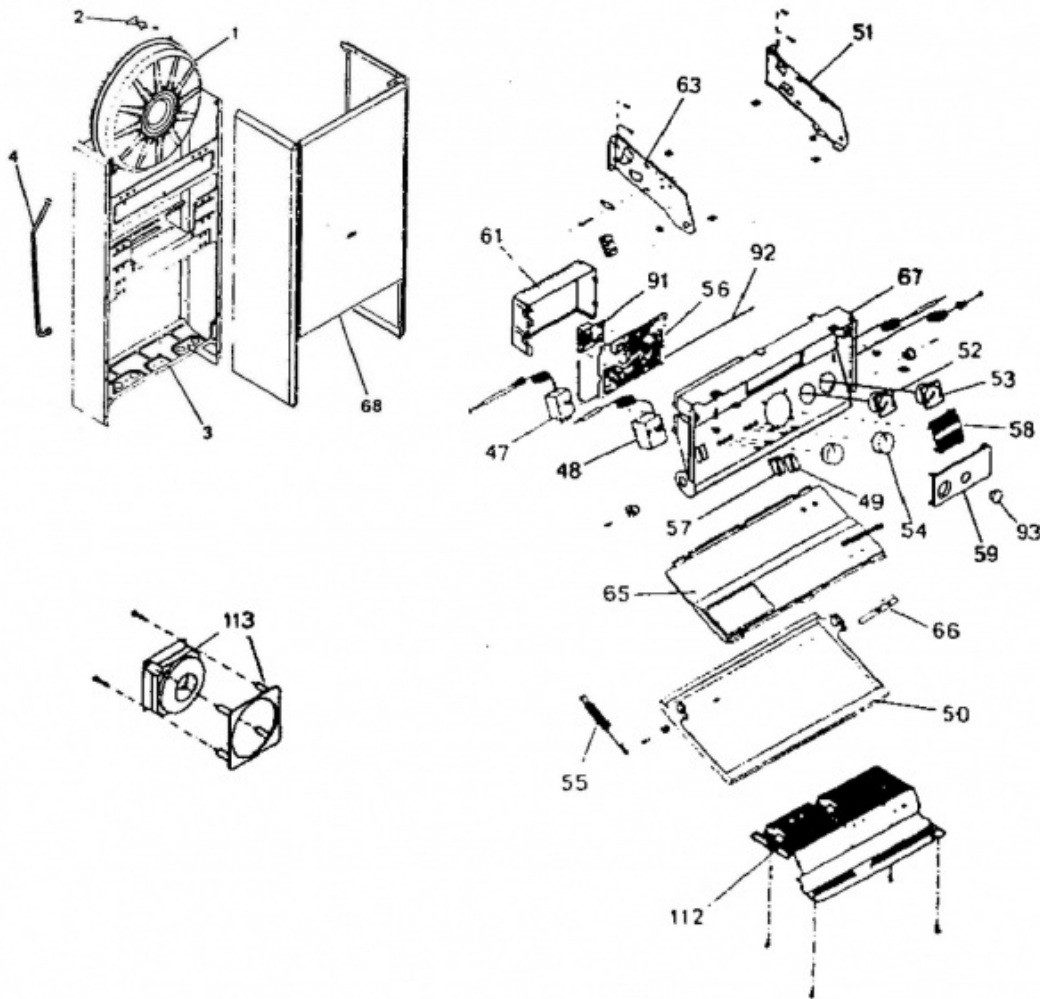


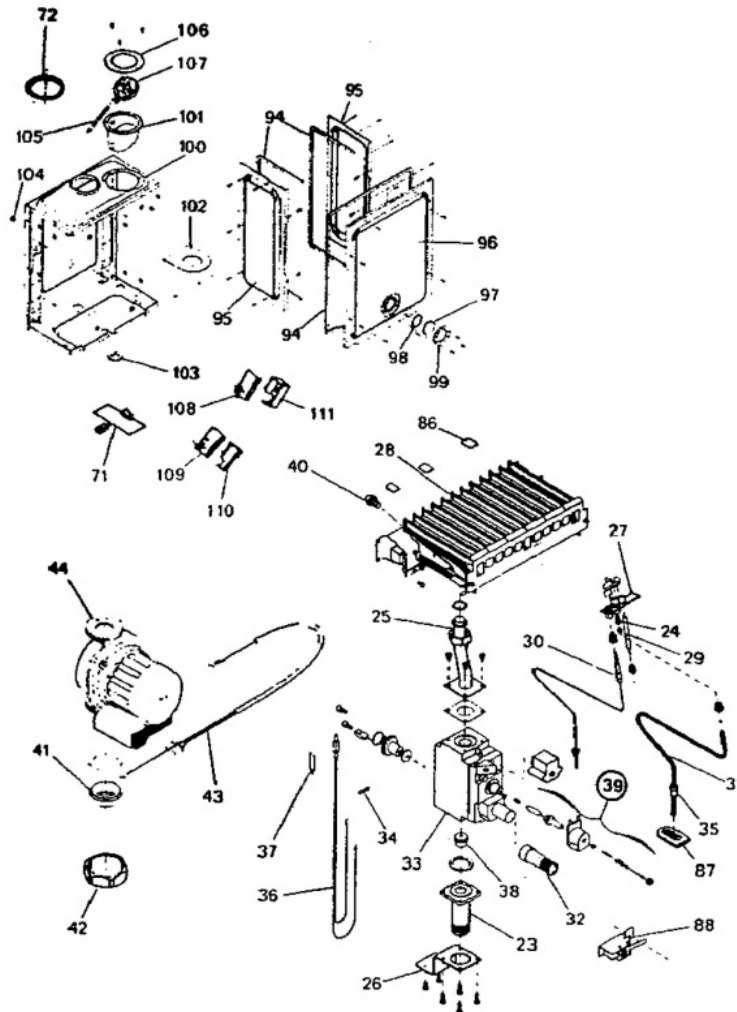
atlantic Pompes à Chaleur et Chaudières

| Référence | Couleur | Puissance (kW) | |
|-----------|---------|----------------|---|
| 7522398Z | Blanche | 23 | A |



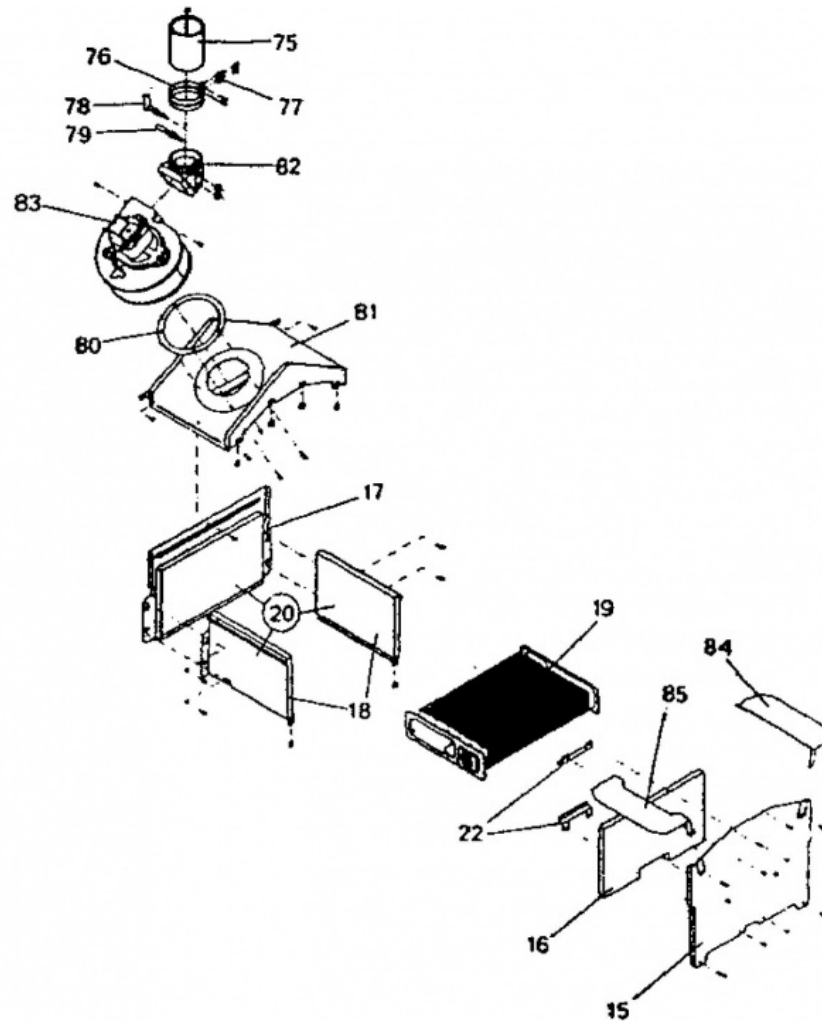
| Repère | Libellé | Période | A |
|--------|-----------------------|---------|--------|
| | PRES/ET COLL IDRA23S | | 122646 |
| | TUYAUT DISC IDRA23S | | 182467 |
| | ECHANGEUR IDRA23S | | 112375 |
| | ECROU RAPID 504 M4 | | 122601 |
| | DISCONNECTEUR DZPH2 | | 119520 |
| 1 | VASE EXPANS IDRA23S | | 188213 |
| 2 | EQ/F VAS EXP IDRA23S | | 124510 |
| 3 | CADRE SUPPORT IDRA23S | | 109366 |
| 4 | TUY VASE EXP IDRA23S | | 182462 |
| 47 | THERM SANIT IDRA23S | | 178921 |
| 48 | THERM CHAUFF IDRA23S | | 178922 |

| | | | |
|-----|-------------------------|--|--------|
| 49 | SELECT CHAUF IDRA23S | | 139232 |
| 50 | PANNEAU BASC IDRA23S | | 160159 |
| 51 | SUP T-BORD D IDRA23S | | 175026 |
| 52 | THERMOMETRE IDRA23S | | 178614 |
| 53 | MANOMETRE IDRA23S | | 149955 |
| 54 | MANET THERM IDRA23S | | 149844 |
| 55 | RESSORT PORT IDRA23S | | 166048 |
| 56 | INTERFACE IDRA23SV | | 158364 |
| 57 | INTERRUP M-A IDRA23S | | 139233 |
| 58 | CACHE REGUL IDRA23S | | 109382 |
| 61 | COUV PLATINE Art:109383 | | 109383 |
| 63 | SUP T-BORD G IDRA23S | | 175027 |
| 65 | SUPPL P/BASC IDRA23S | | 175106 |
| 66 | ECUSSON IDRA23S | | 122821 |
| 67 | TAB BORD NU IDRA23SV | | 177057 |
| 91 | INTERF ALL IDRA23SV | | 158365 |
| 92 | CABLE ELECT IDRA23SV | | 109173 |
| 93 | CACHE IDRA23SV | | 109384 |
| 113 | PROTECT DEFL 8712901 | | 160304 |



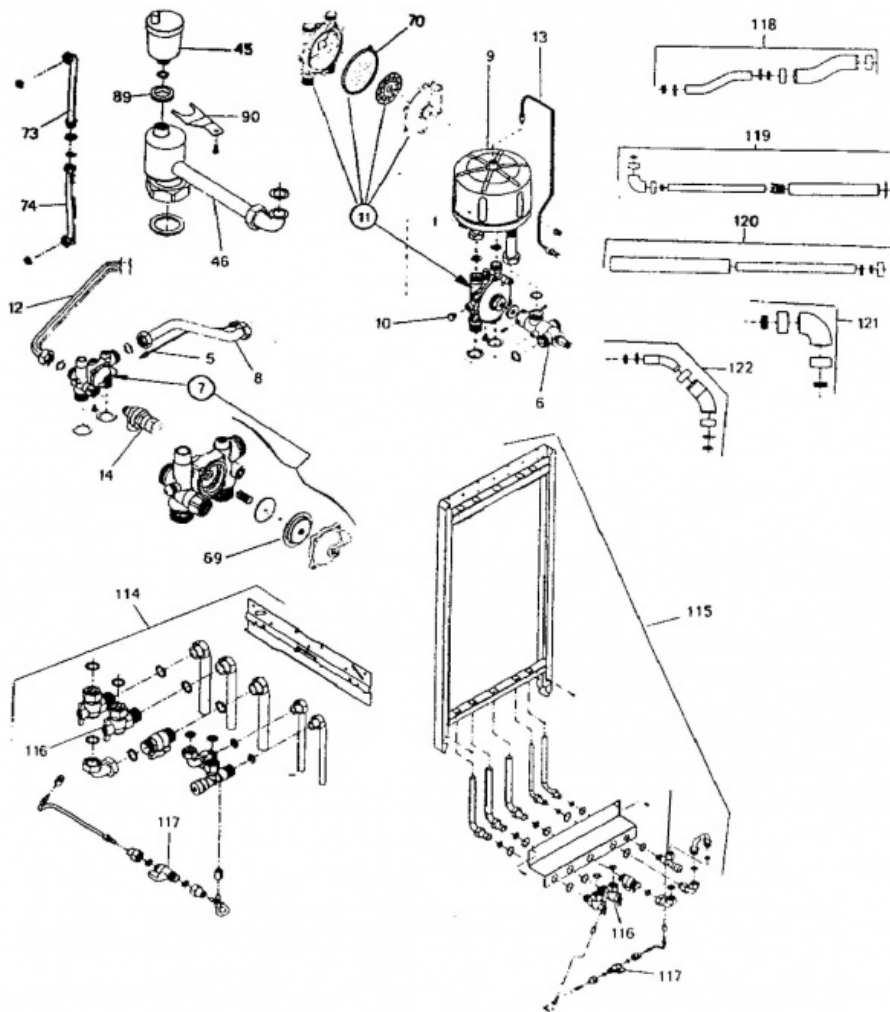
| Repère | Libellé | Période | A |
|--------|----------------------|---------|--------|
| | POCH VIS VTEIDRA23SV | | 142196 |
| | TUBE VERSILIC 6X9 1M | | 183105 |
| | BOBINE ALLUM IDRAE24 | | 106110 |
| 23 | TUY AL/B-GAZ IDRA23S | | 182671 |
| 24 | INJ VEILL GN IDRA23S | | 139521 |
| 25 | TUY B-GAZ/BR IDRA23S | | 182672 |
| 26 | EQ/FIX B-GAZ IDRA23S | | 124511 |
| 27 | VEILLEUSE IDRA23S | | 188309 |
| 28 | BRULEUR IDRA23S | | 105356 |
| 29 | ELECTRODE 9522101 | | 124341 |
| 30 | THERMOCOUPLE IDRA23S | | 179218 |
| 31 | TUYAUT VEILL IDRA23S | | 182673 |
| 32 | MANET C/B-GAZIDRA23S | | 149845 |
| 33 | VANNE GAZ IDRA 23S | | 188124 |
| 34 | MANCHON ISOL IDRA23S | | 149203 |
| 35 | RACC BL-VEIL IDRA23S | | 164324 |
| 36 | THERM SECU IDRA23S | | 178923 |
| 37 | CLIP/F THERM IDRA23S | | 110313 |

| | | | |
|-----|------------------------|--|--------|
| 38 | DIAPHRAGME IDRA23S | | 120014 |
| 39 | BOBINE MODUL IDRA23S | | 106108 |
| 40 | INJ BRUL GN IDRA23S | | 139522 |
| 41 | RACC CIRCUL Art:164323 | | 164323 |
| 42 | ECROU CIRCUL IDRA23S | | 164325 |
| 43 | CABLE CIRCUL IDRA23S | | 109167 |
| 44 | CIRCULATEUR IDRA | | 109923 |
| 71 | RESIST VENT IDRA23SV | | 165921 |
| 72 | BRIDE AIR IDRA23SV | | 107506 |
| 86 | PLAQUE BRUL IDRA23SV | | 159993 |
| 87 | JOINT TUY/V IDRA23SV | | 142404 |
| 88 | MICROSWIT 2C IDRA23SV | | 150107 |
| 94 | JOINT C/AIR IDRA23SV | | 142406 |
| 95 | COTE C/AIR IDRA23SV | | 110733 |
| 96 | FAC AV C/AIR IDRA23SV | | 110734 |
| 97 | VITRE IDRA23SV | | 188772 |
| 98 | JOINT VITRE IDRA23SV | | 142405 |
| 99 | SUPP VITRE IDRA23SV | | 175035 |
| 100 | CONDUIT AIR IDRA23SV | | 110732 |
| 101 | SUPP PRESS IDRA23SV | | 175036 |
| 102 | DEFLECT BR IDRA23SV | | 119256 |
| 103 | JOINT IDRA | | 142407 |
| 104 | PASSE FIL IDRA23SV | | 157309 |
| 105 | TUBE SILIC IDRA23SV | | 183106 |
| 106 | COUV C/AIR IDRA23SV | | 110735 |
| 107 | PRESSOS FUM IDRA23SV | | 159715 |
| 108 | MICROSWIT 3C IDRA23S | | 150103 |
| 109 | MICROSWIT SC IDRA23S | | 150104 |
| 110 | COUV MICRO1C IDRA23S | | 150105 |
| 111 | COUV MICRO3C IDRA23S | | 150106 |



| Repère | Libellé | Période | A |
|--------|----------------------|---------|--------|
| 15 | FAC AV CH-C IDRA23SV | | 132522 |
| 16 | PLAQ ISOL FR IDRA | | 157537 |
| 17 | PLAQ ISOL AR IDRA | | 157538 |
| 18 | PLAQ ISOL L IDRA23S | | 167539 |
| 19 | ECHANGEUR IDRA23S | | 112375 |
| 20 | CHAMBRE COMB IDRA23S | | 132517 |
| 22 | EQUER FAC AV IDRA23S | | 124512 |
| 75 | TUBE FUMES IDRA23SV | | 182018 |
| 76 | COLL ETANCH IDRA23SV | | 110603 |
| 77 | JOINT COLL IDRA23SV | | 142400 |
| 78 | PRISE PRESS IDRA23SV | | 159804 |
| 79 | PRISE DEPR IDRA23SV | | 159805 |
| 80 | JOINT VENT IDRA23SV | | 142403 |
| 81 | DES CH COMB IDRA23SV | | 132521 |
| 82 | COND VENTIL IDRA23SV | | 110736 |
| 83 | VENTILATEUR IDRA23SV | | 188514 |
| 84 | DEFLECT DR IDRA23SV | | 119257 |
| 85 | DEFLECT GCE IDRA23SV | | 119258 |





| Repère | Libellé | Période | A |
|--------|-------------------------|---------|--------|
| | DISCONNECTEUR DZPH2 | | 119520 |
| | POCH JOINT (G)IDRA23S | | 142183 |
| | VANNE ARRET R-C IDRA | | 188125 |
| | JEU 14INJ GN Art:939409 | | 939409 |
| | TUYAUT DISC IDRA23S | | 182467 |
| | KIT RACCORD Art:143011 | | 143011 |
| | POC REF COL/SAN IDRA | | 943008 |
| | TUBE GRAISSE IDRA | | 160000 |
| | POCH JOINT (H)IDRA23S | | 142182 |
| | KIT VIS REGLAGE IDRA | | 143010 |
| | SET CV PROP IDRA23S | | 139523 |
| 00 | ROBINET EAU FR IDRA | | 188131 |
| 5 | TUYAU BYPASS IDRA23S | | 182463 |
| 6 | VALVE DIST'R IDRA23S | | 188141 |
| 7 | SOUPAPE DIFF IDRA23S | | 174411 |
| 8 | TUY DEP VALV IDRA23S | | 182464 |
| 9 | PREPAR SANIT IDRA23S | | 161051 |
| 10 | BOUCHON 1/8P IDRA23S | | 104826 |

| | | | |
|-----|----------------------|--|--------|
| 11 | COLLEC SANIT IDRA23S | | 110474 |
| 12 | TUY SORT PREPIDRA23S | | 182465 |
| 13 | PURG PREP+TUYIDRA23S | | 159417 |
| 14 | SOUPAPE SECU IDRA23S | | 174412 |
| 45 | PURGEUR AUTO IDRA23S | | 159418 |
| 46 | TUY RETOUR IDRA23SV | | 182469 |
| 69 | MEMBRANE S/D IDRA23S | | 149970 |
| 70 | MEMBRANE C/S IDRA23S | | 149971 |
| 73 | TUY ECHANG IDRA23SV | | 182468 |
| 74 | TUY DEPART IDRA23SV | | 182470 |
| 89 | CLAPET ISOL IDRA23SV | | 110106 |
| 116 | VANNE ARRET D-C IDRA | | 188118 |
| 117 | ROBINET REMPLIS IDRA | | 166706 |