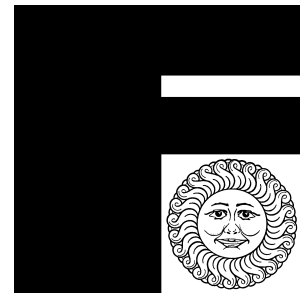
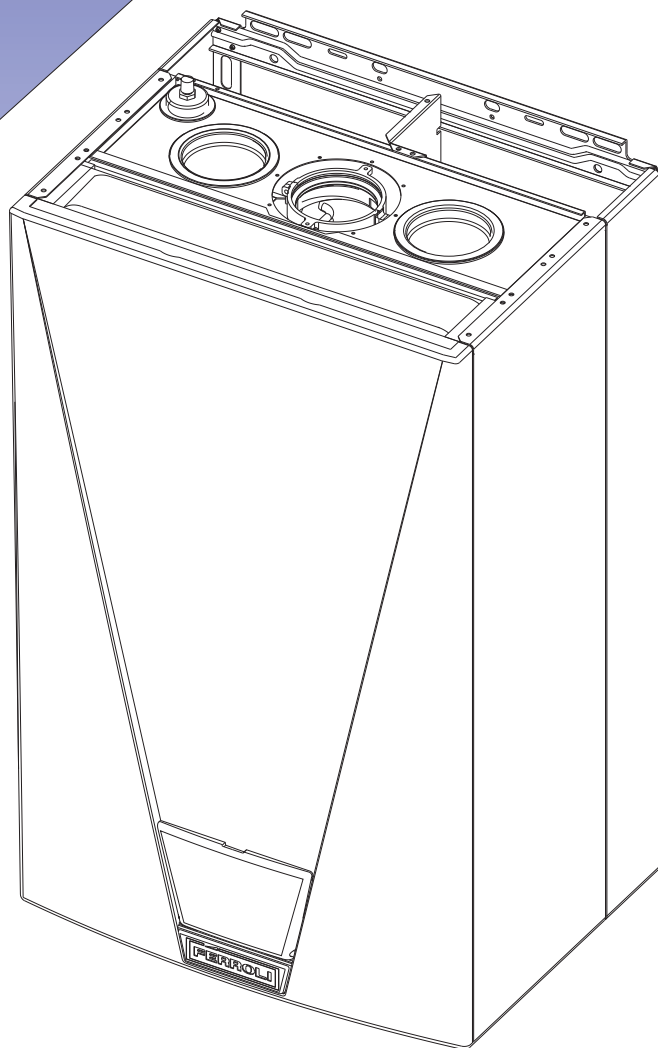


# •LISTE PIECES DETACHES



## ECONCEPT FR 35 C

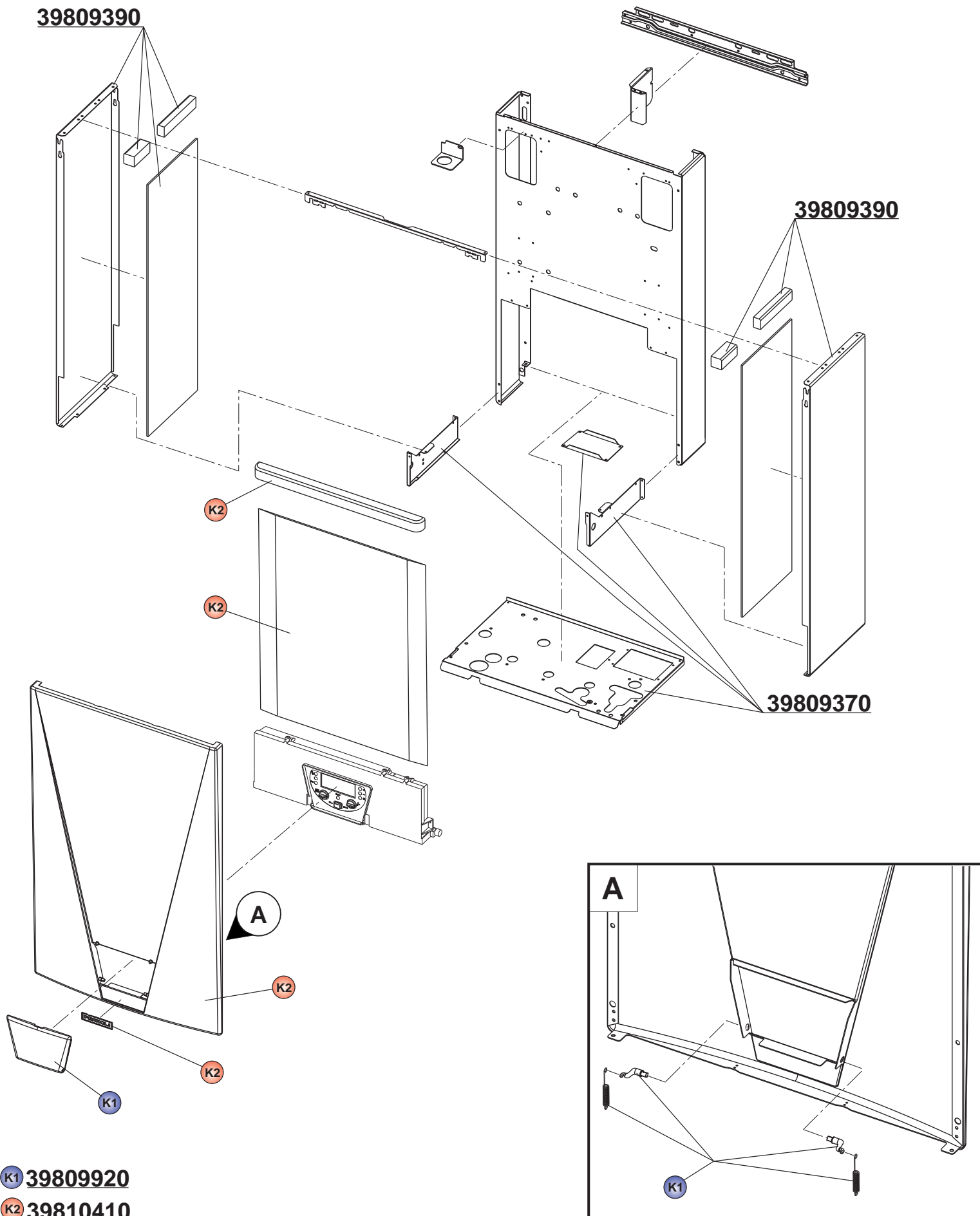




39809390

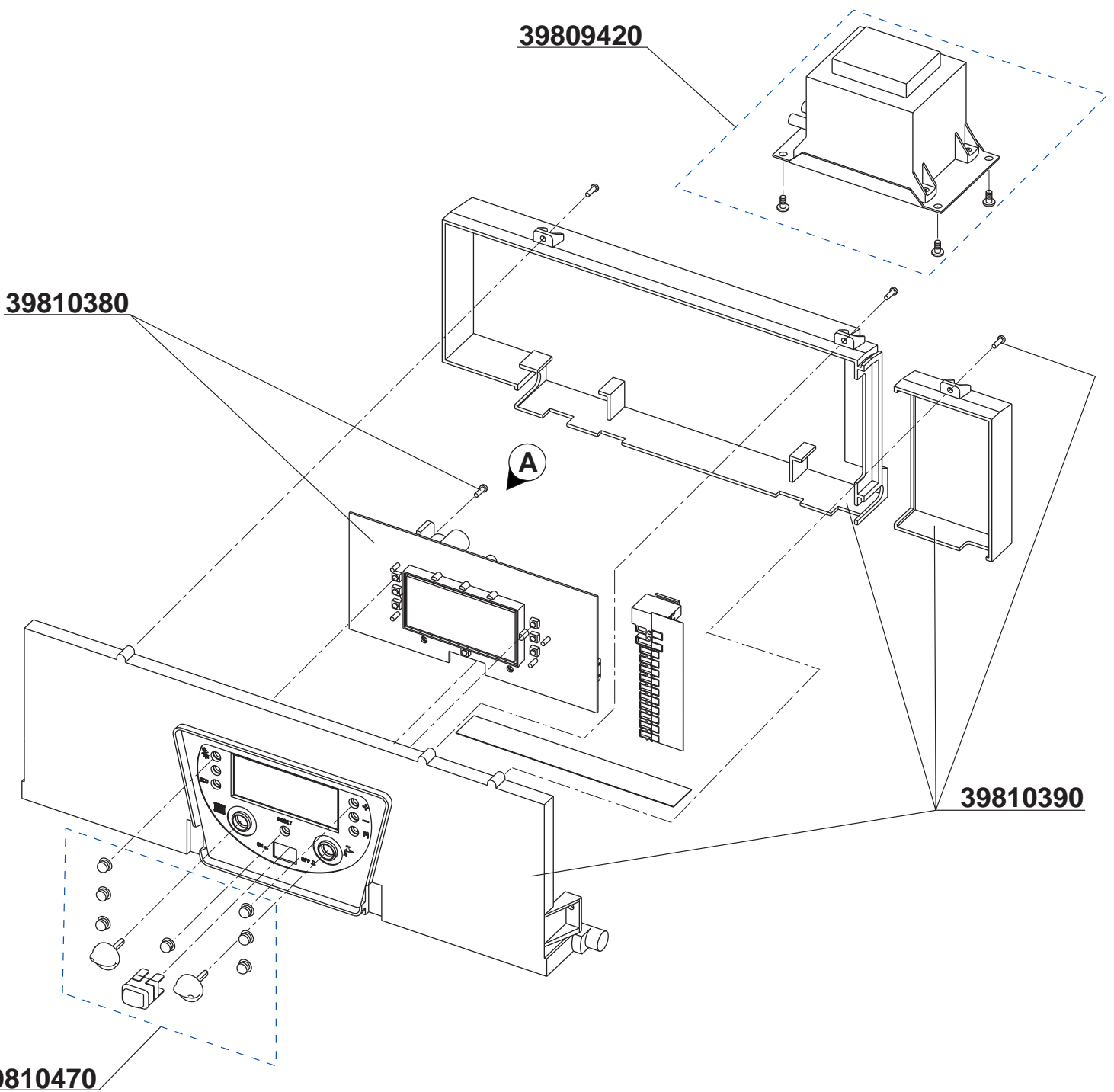
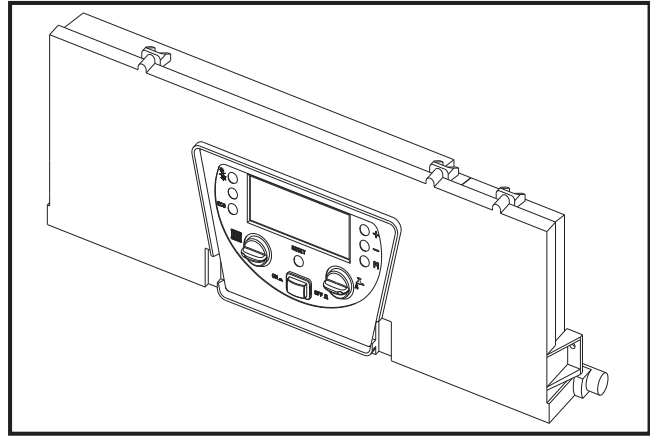
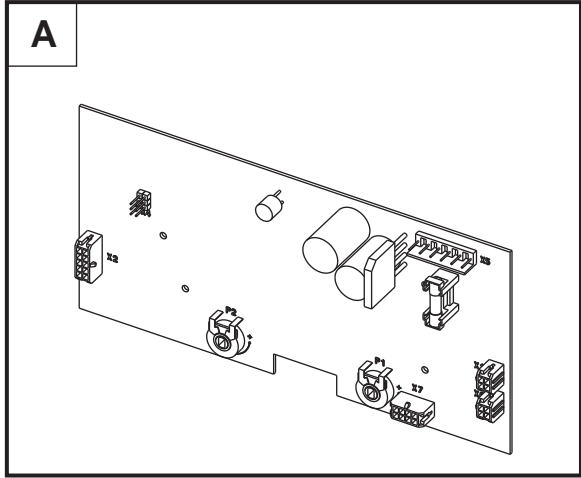
39809390

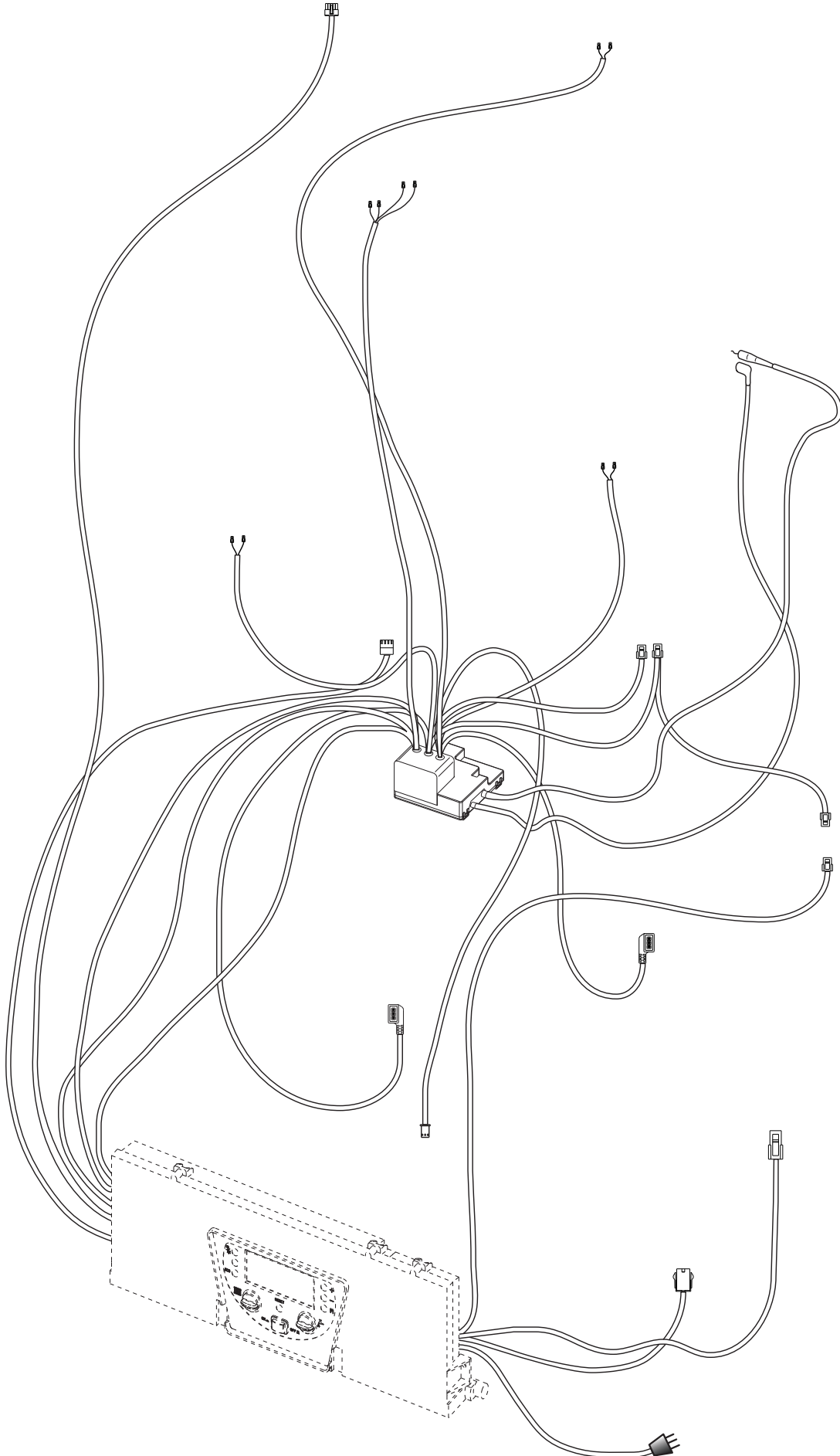
39809370



**K1** 39809920

**K2** 39810410





39811620



