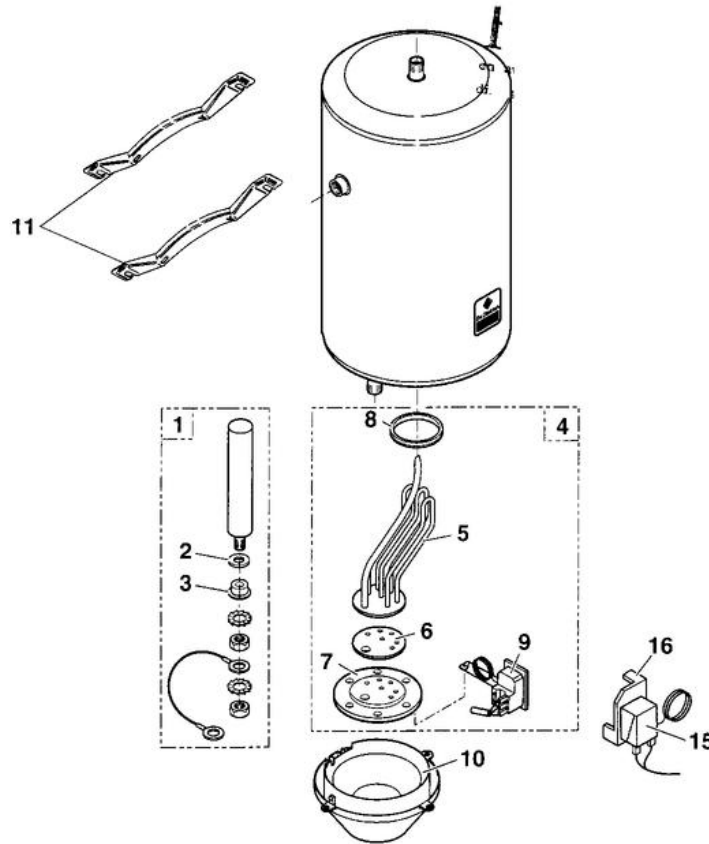




8964-4025C

MPL 150
MPL 200



8964N010A

MPL 150 - 200

| Réf. | Référenc | Description | Qté | Tarif | Substitut | Tarif Sub. | Remarques |
|------|----------|----------------------------|-----|--------------------|-----------|------------|-------------------------------------------------------------------------------------|
| | 89647702 | SACHET ACCESSOIRES | 1 | Nous consulter ... | | |  |
| 1 | 89648904 | ANODE D.33 LG.330MM | 1 | 76,50 € | | | |
| 1 | 89648905 | ANODE D.33 LG.420MM | 1 | 87,50 € | | | |
| 2 | 95014035 | JOINT D.25x8,5x2 | 1 | 2,35 € | | | |
| 3 | 94974525 | ENTRETOISE NYLON M8 | 1 | | 94974527 | 1,00 € | |
| 4 | 89648908 | ELEMENT CHAUFFANT CPL | 1 | 366,00 € | | | |
| 5 | 95118240 | ELEMENT BLINDE 2400W | 1 | 195,00 € | | | |
| 6 | 95345210 | DISQUE PLASTIQUE MPL | 1 | 5,85 € | | | |
| 7 | 89648035 | BRIDE DE SERRAGE | 1 | 13,90 € | | | |
| 8 | 95013125 | JOINT | 1 | 6,75 € | | | |
| 9 | 89644701 | THERMOSTAT COTHERM BTS7007 | 1 | 86,10 € | | | |
| 10 | 89648809 | CAPOT COMPLET | 1 | Nous consulter ... | | |  |
| 11 | 89640504 | ETRIER SUSPENSION PEINT | 1 | | 89640516 | 2,85 € | |
| 15 | 85000016 | THERMOSTAT LIMITEUR 65° | 1 | 52,60 € | | | |
| 16 | 89648034 | SUPPORT DE THERMOSTAT | 1 | 19,80 € | | | |